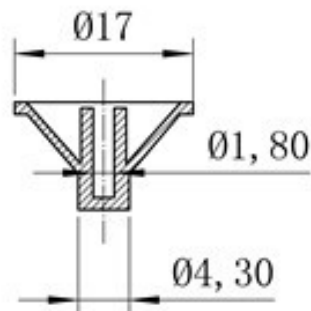
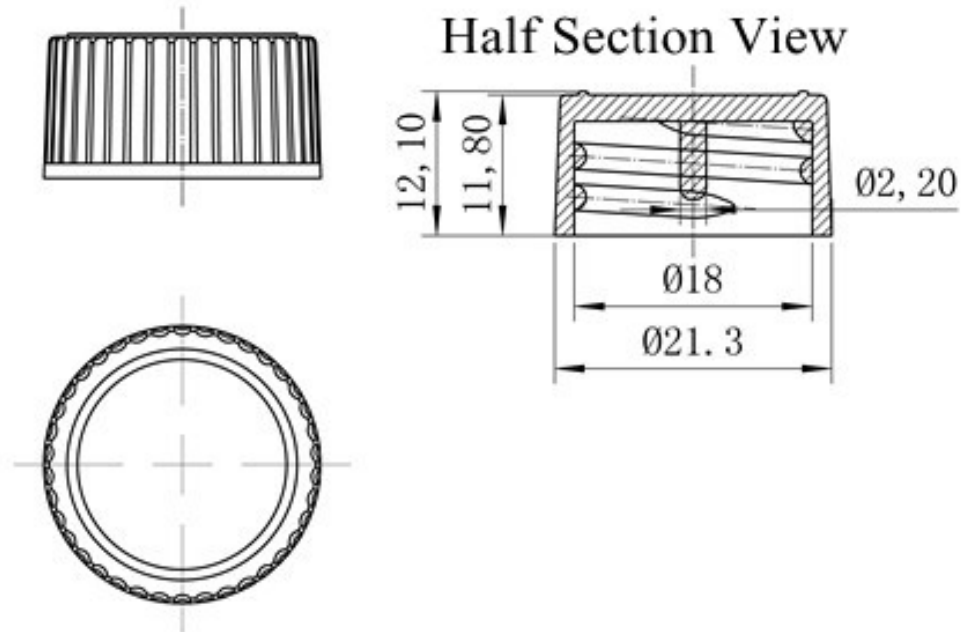


Width of thread 2.2mm
Pitch 3.4mm



18MM P/P Cap with Cone Liner Scale:2:1