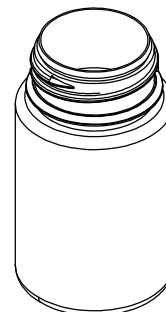
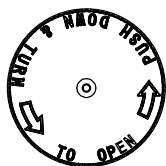
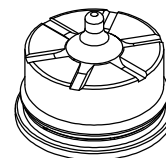
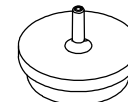
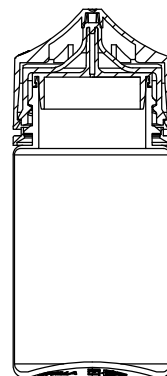
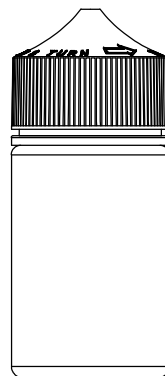
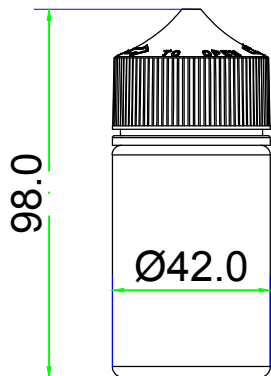
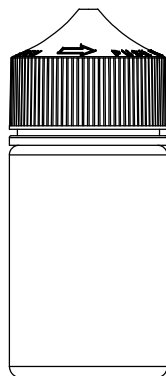
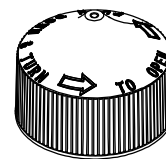
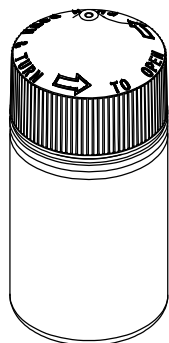
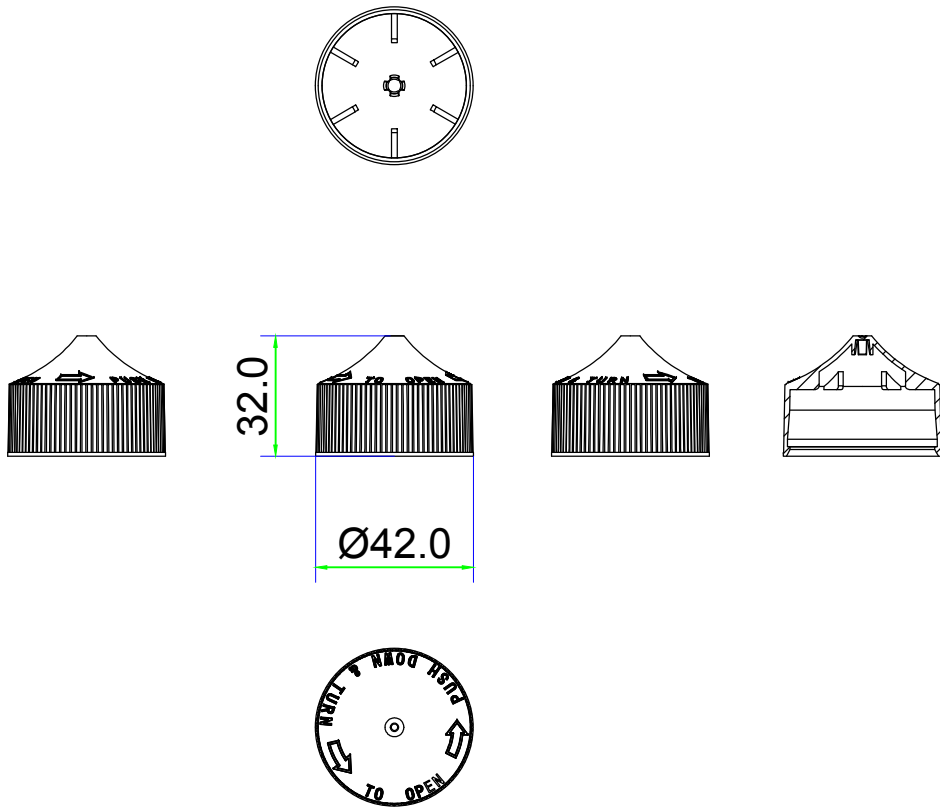


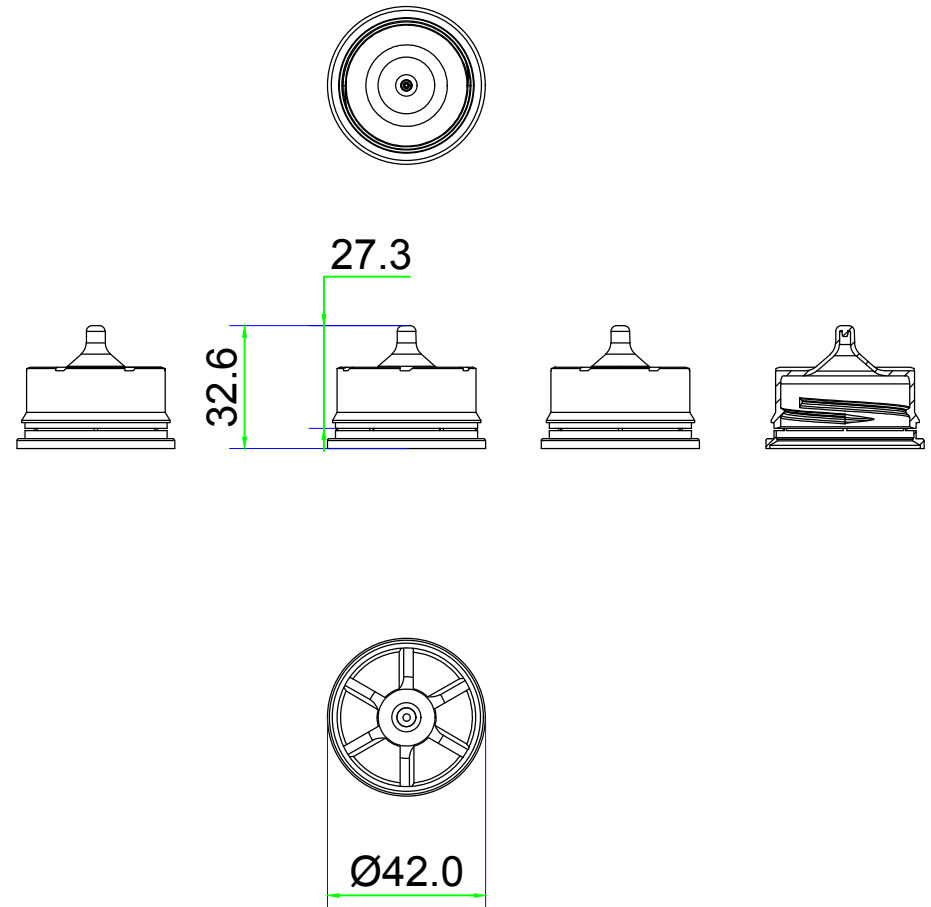
CGUB1-75MLSC-XXXX
Drawing CG-MD-017
Revision date:08-Mar-2020



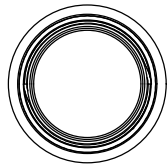
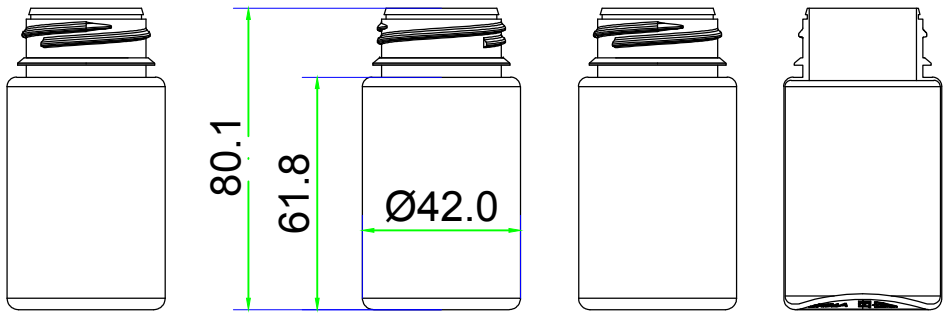
Notes:
1.All dimensions = mm
2.Dimensions=averages
3.Finish size=T35



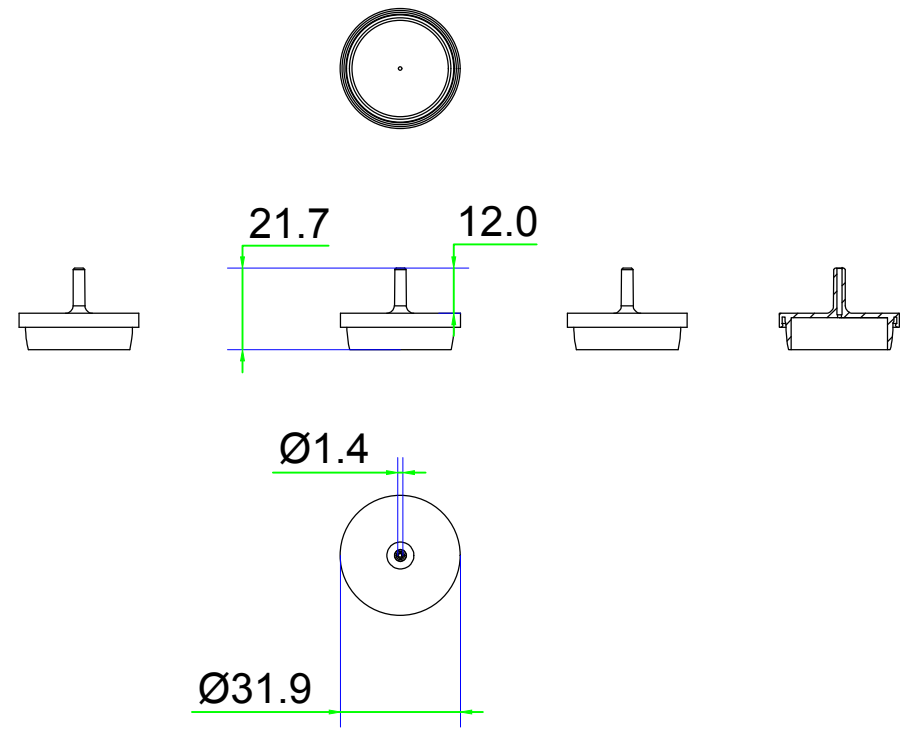
Outer Closure



Inner Closure
Page 2 of 3



Container



Nozzle