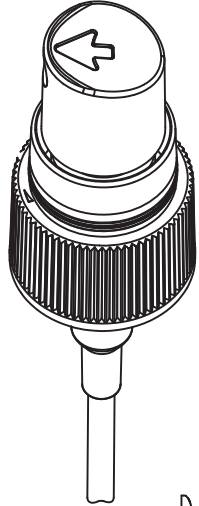
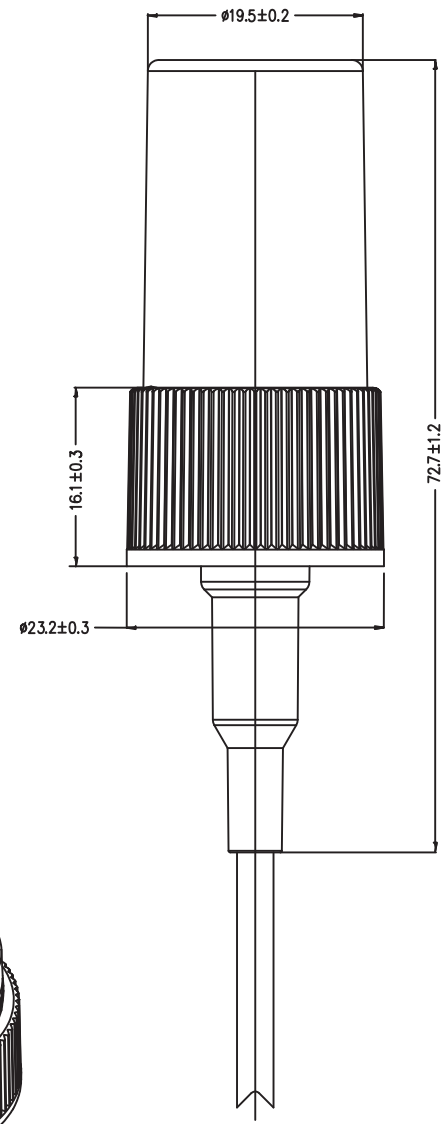
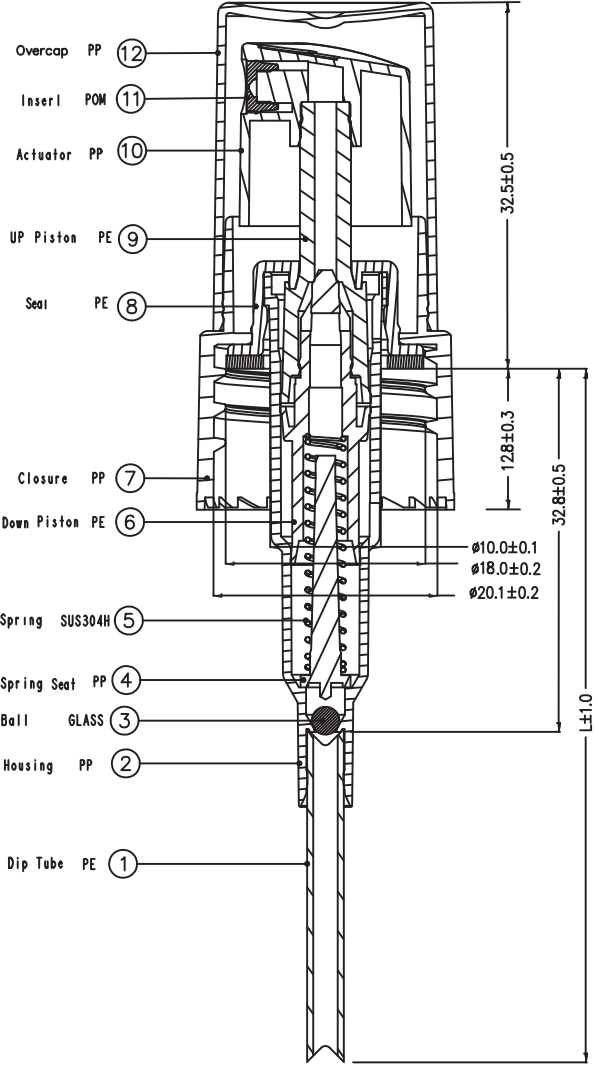


K

MARK	REVISER	DESCRIRTN	DATE



Discharge Rate: 0.20 ± 0.02 ml/T

F	TOLERANCE			○	DRAFTER:	UNIT: mm		
	0mm-15mm	±0.05	±0.10	±0.50	CHECKED:	MODEL NAME:	TITLE:	
	15mm-30mm	±0.05	±0.15	±1.00		<b>0613</b>	0613A-20/410 Ribbed Assemble	
	30mm-50mm	±0.10	±0.20	±1.50	SENSOR:	SCALE:	VISUAL ANGLE	Q'TY:
	50mm-99mm	±0.15	±0.30	±2.00				1/1
	ABOVE 99mm	±0.20	±0.40	±2.50	APPROVED:	PART NO:	FILE NO:	
CENTER	±0.10	±0.50	±1.00					
ANGLER	±0.25°	±0.50°	±2.00°				D-	