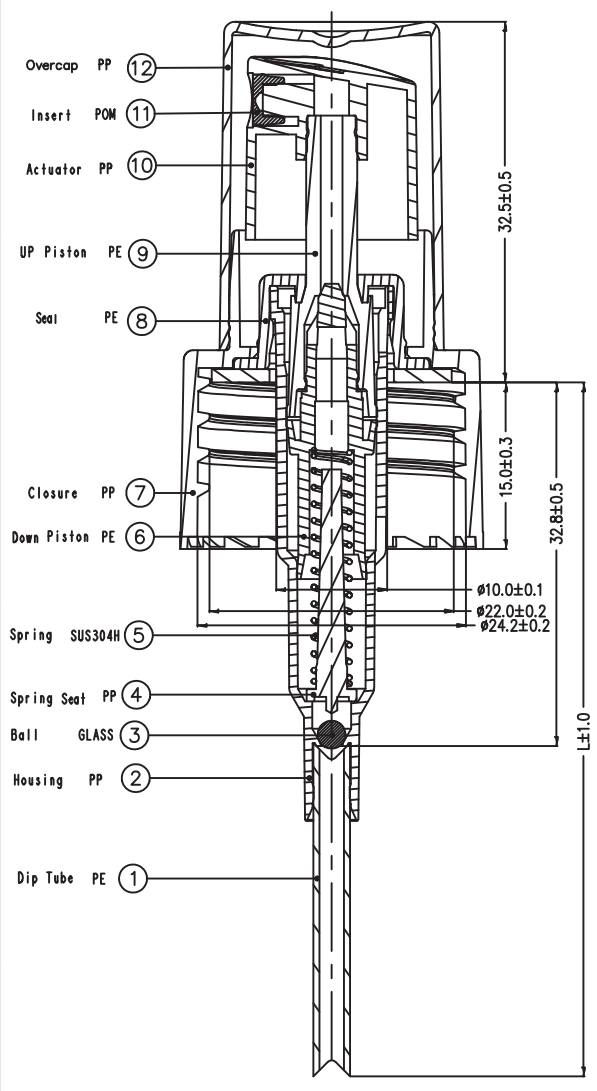


MARK	REVISER	DESCRIRTN	DATE

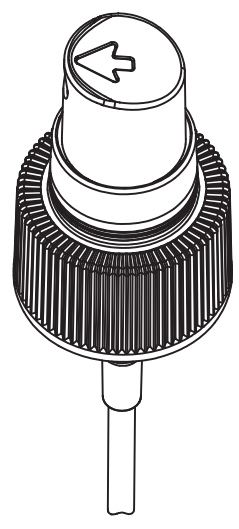
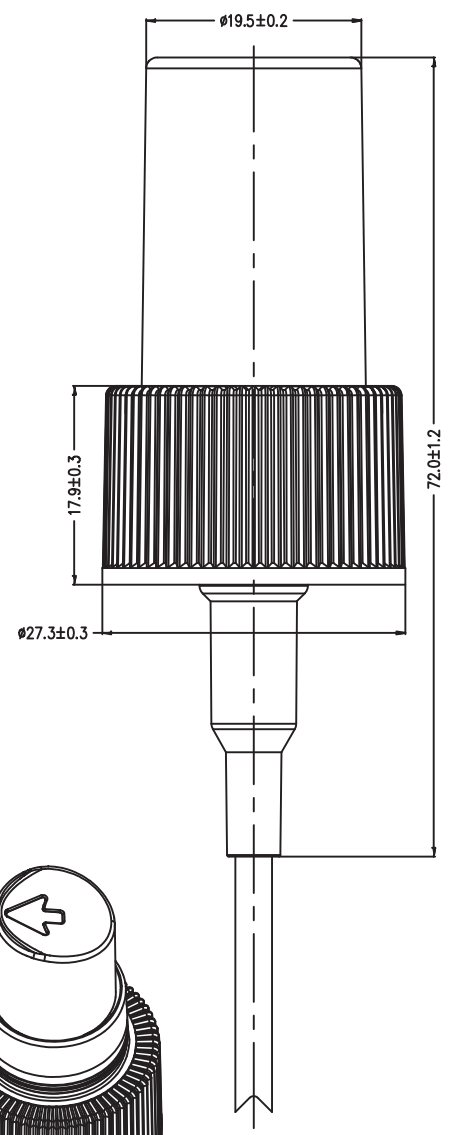
K

A
B
C
D
E
F

A
B
C
D
E
F



Section A-A



Discharge Rate: 0.20 ± 0.02 ml/T

TOLERANCE	○	○	○
0mm-15mm	±0.05	±0.10	±0.50
15mm-30mm	±0.05	±0.15	±1.00
30mm-50mm	±0.10	±0.20	±1.50
50mm-99mm	±0.15	±0.30	±2.00
ABOVE 99mm	±0.20	±0.40	±2.50
CENTER	±0.10	±0.50	±1.00
ANGLER	±0.25°	±0.50°	±2.00°

DRAFTER:	UNIT: mm	TITLE:	
CHECKED:	MODEL NAME: 0613	...0613A-24/410 Ribbed Assemble	
CENSOR:	SCALE:	VISUAL ANGLE 	Q'TY: 1/1
APPROVED:	PART NO:	REV: A0	FILE NO: D-