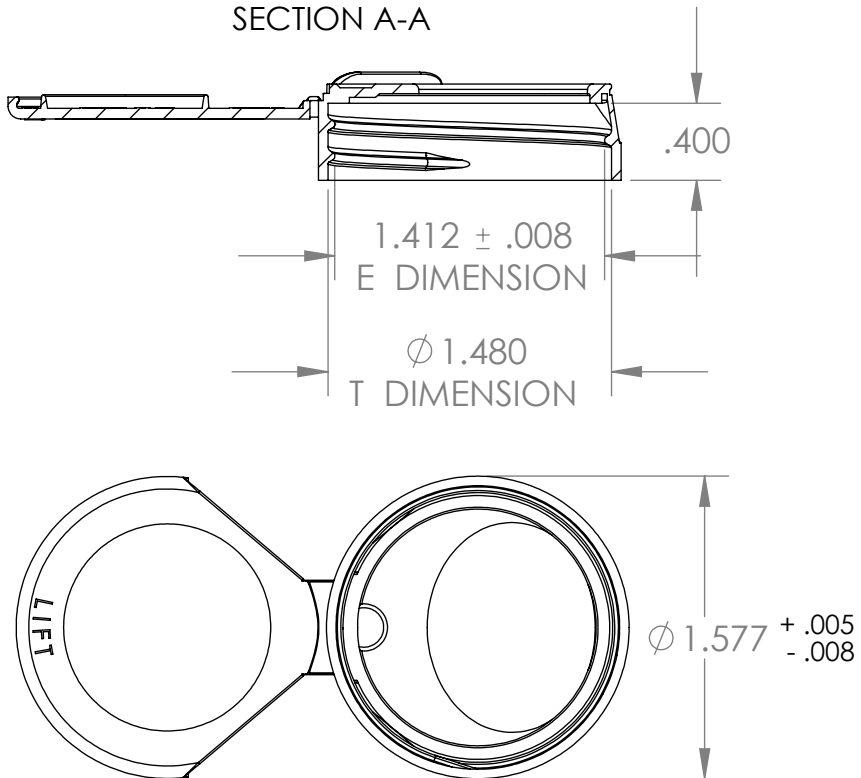
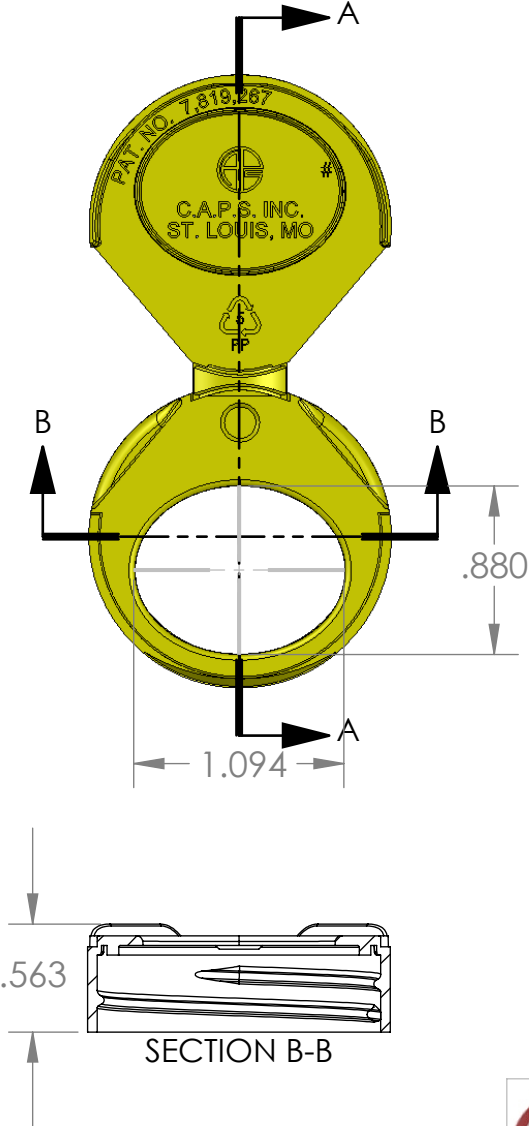


Lid Opening Force : 0.50 lbs. Min.



CAPS Inc.

13080 Hollenberg
St. Louis, MO 63044

Phone: 314-739-2002 FAX: 314-739-7889
www.capsinc.net

PROPRIETARY AND CONFIDENTIAL

THE INFORMATION CONTAINED IN THIS DRAWING IS THE SOLE PROPERTY OF CAPS Inc. ANY REPRODUCTION IN PART OR AS A WHOLE WITHOUT THE WRITTEN PERMISSION OF CAPS Inc. IS PROHIBITED.

UNLESS OTHERWISE SPECIFIED:

DIMENSIONS ARE IN INCHES
TOLERANCES: ±.005
FRACTIONAL ±
ANGULAR: MACH ± BEND ±
TWO PLACE DECIMAL ±
THREE PLACE DECIMAL ±

INTERPRET GEOMETRIC TOLERANCING PER:

MATERIAL Polypropylene

FINISH

DO NOT SCALE DRAWING

	NAME	DATE
DRAWN	RLH	6-26-12
SALES APPR.		
ENG APPR.		
MFG APPR.		
Q.A. APPR.		
COMMENTS:		

CUSTOMER DRAWING

TITLE:
38 mm Supplement Top

SIZE	DWG. NO.	REV
A		0

SCALE: 1:1