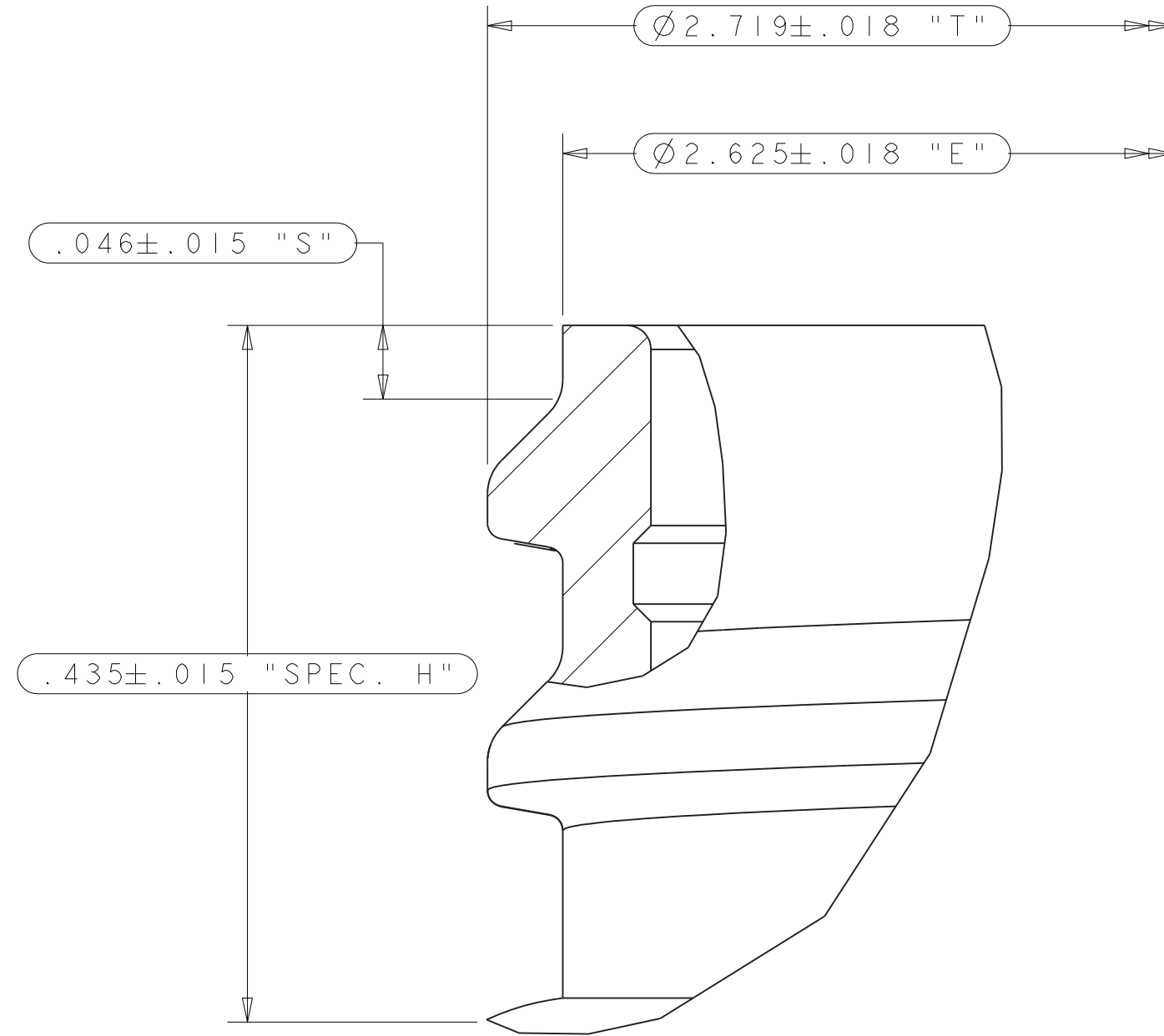
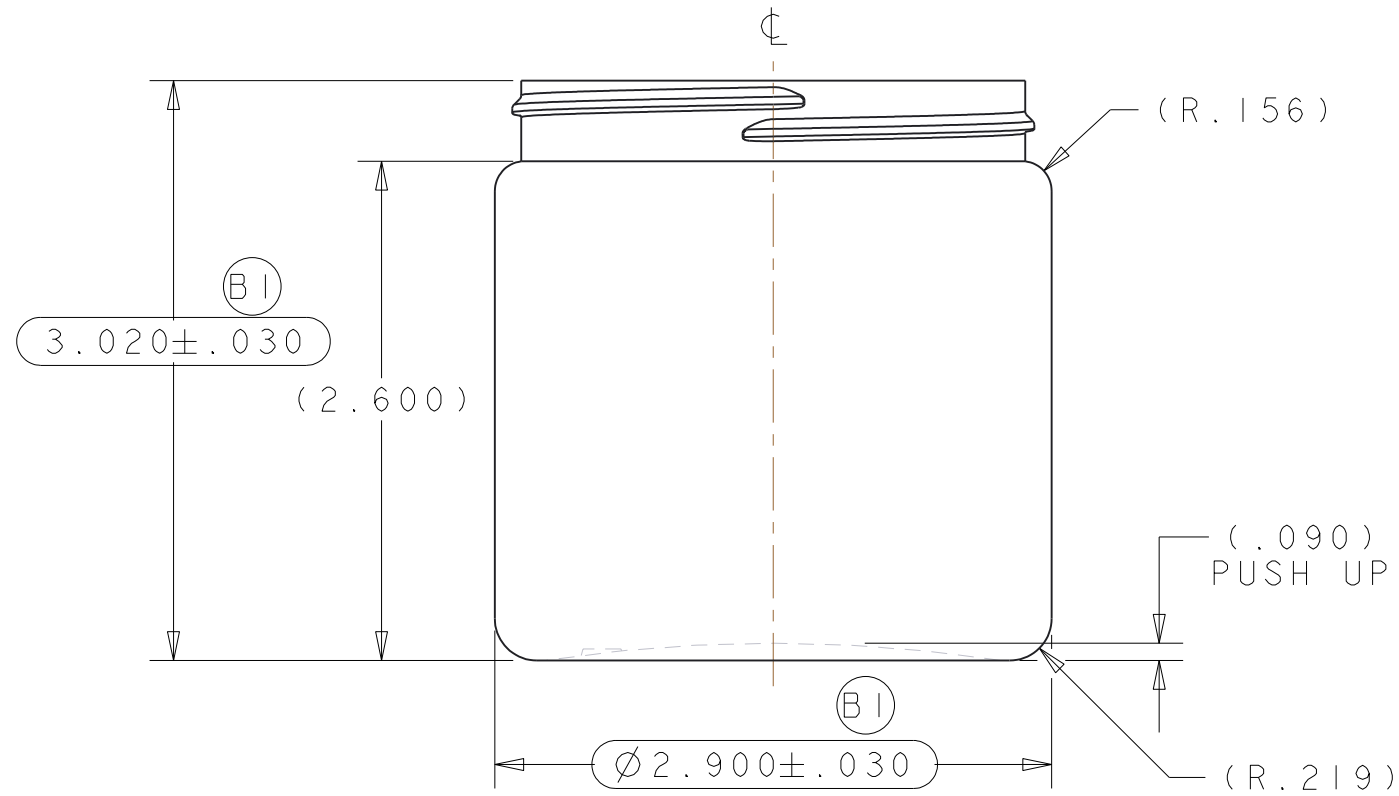
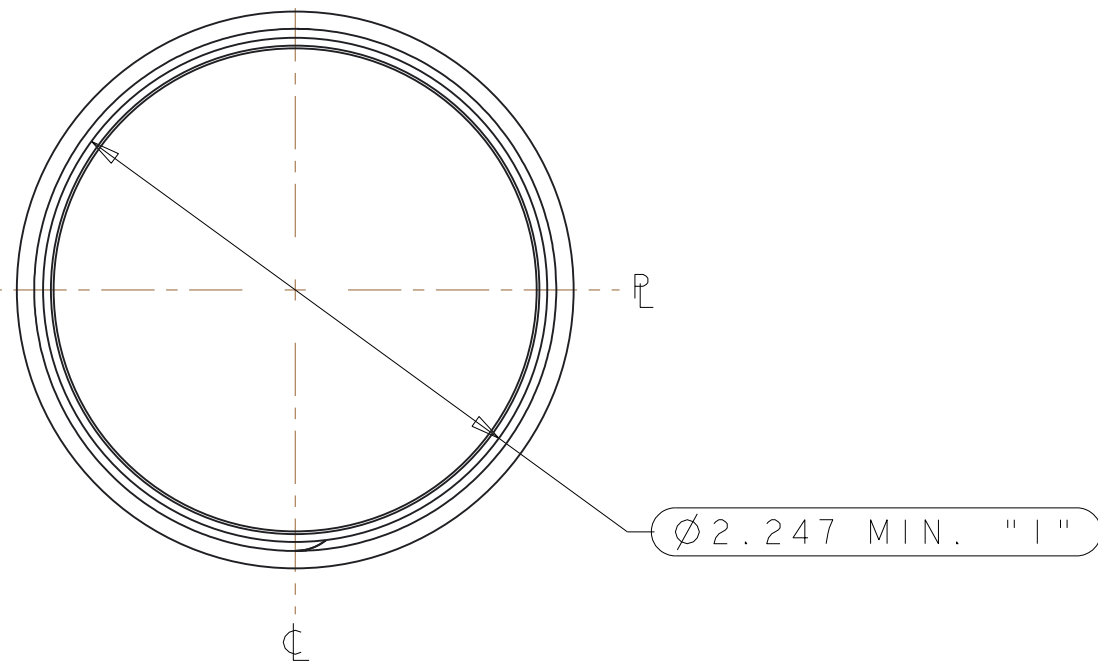
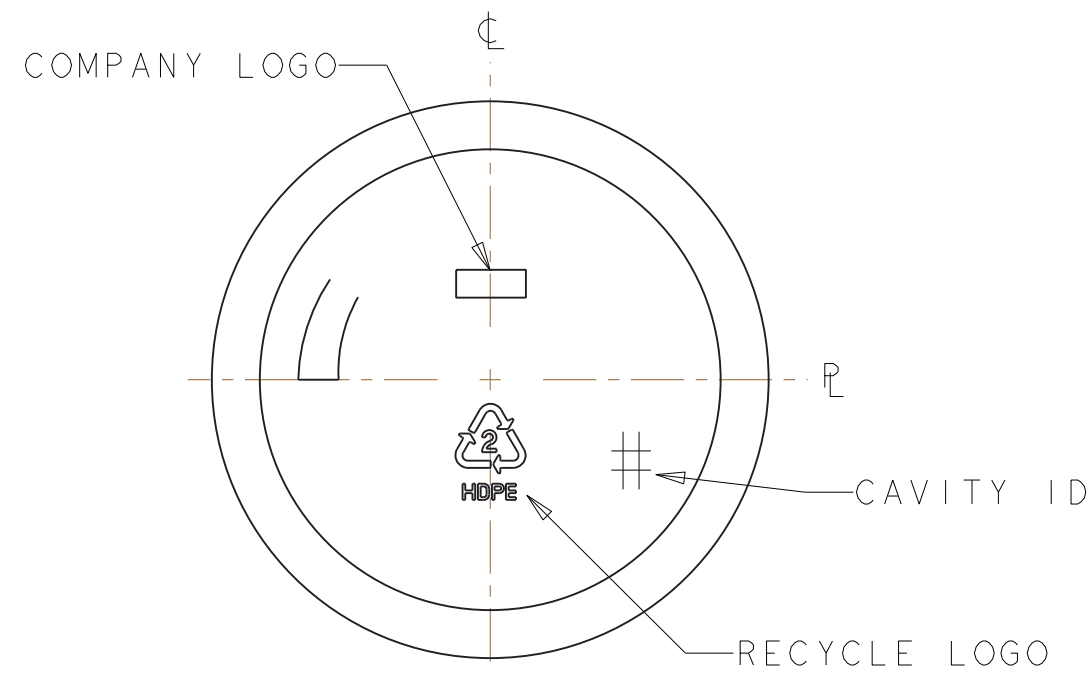


PRODUCTION RELEASE

LET	REVISION DESCRIPTION	BY	EWR/ECN#	DATE
	REF CI-26731-1			
A	A1 ADDED SHEET 2	IDT		02/15/02
B	B1 WAS ±.060, B2 WAS 288.3 CC / 9.70 FL OZ	IDT		03/26/02
C	UPDATED DRAWING TEMPLATE AND ADDED NOTES	EPH	RCT190025	5/6/19



FINISH DETAIL
SCALE 10:1



- NOTES:
 1) THREAD SPECS- SINGLE LEAD, 6 T.P.I. (.167 PITCH), 1 FULL TURN OF THREAD
 2) MIN. WALL (.015)
 3) DO NOT SCALE DRAWING
 4) ALL NECK FINISH DIAMETER DIMENSIONS ARE THE AVERAGE OF TWO MEASUREMENTS TAKEN ACROSS THE MAJOR & MINOR AXIS

MOLD #5786

PART DATA	
MATERIAL	HDPE
ESTIMATED WEIGHT	24.0±2.0 grams
OVERFLOW CAPACITY	288.0±7.0 CC 9.73±.24 FL OZ
NECK FINISH	M70-SP400

(XXX)		(XXX)	
REFERENCE DIMENSIONS ARE NOT INSPECTED AND NO TOLERANCE APPLIED		INSPECTION DIMENSIONS ARE VERIFIED WITH TOLERANCE	
THIS DRAWING IS NOT A CONTROLLED DOCUMENT IF PRINTED OR COPIED FROM THE APPROVED LOCATION			
CONFIDENTIAL			
		THIS UNPUBLISHED WORK IS THE PROPERTY OF BERRY GLOBAL, INC AND IS PROTECTED BY TRADE SECRET, COPYRIGHT AND OTHER INTELLECTUAL PROPERTY LAWS AND MAY ALSO BE SUBJECT TO A SPECIFIC OR GENERAL CONFIDENTIALITY AGREEMENT. IT IS NOT TO BE VIEWED BY UNAUTHORIZED PERSONS OR DUPLICATED IN ANY MEDIUM FOR PURPOSES OTHER THAN THOSE FOR WHICH IT IS SPECIFICALLY FURNISHED.	
SIZE AND STYLE:	B70RD8H	DRAWING TYPE:	CUSTOMER
DESCRIPTION:	8 OZ STRAIGHT SIDE JAR		
DRAWING NO:	C-I-75786-01A-00	PROJECT NO:	
CREATED BY:	I. TRENT	CREATION DATE:	12/13/01
DRAWING REVISION:	C	SHEET:	1 of 1
SCALE:	1.000	SHEET SIZE:	C