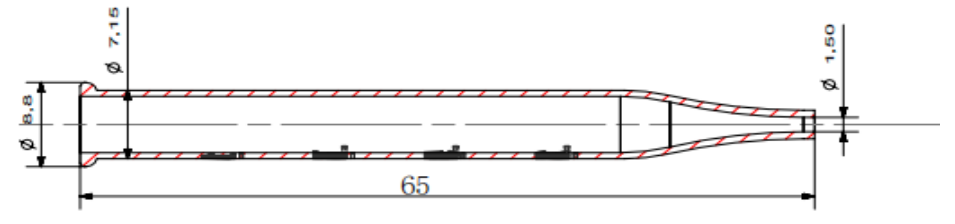
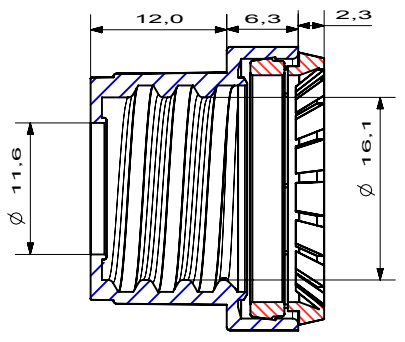
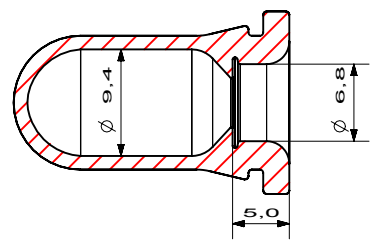


Ø 7.2



SECTION H-H

