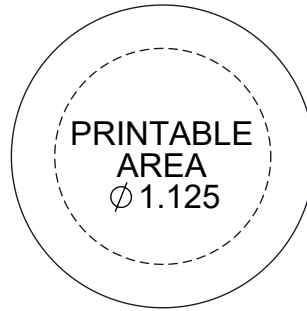
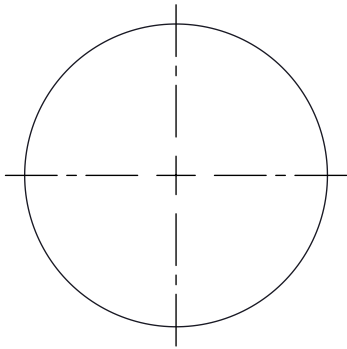
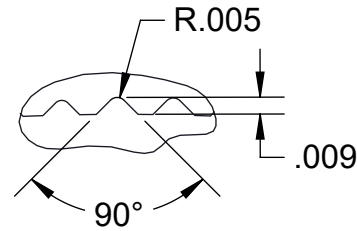
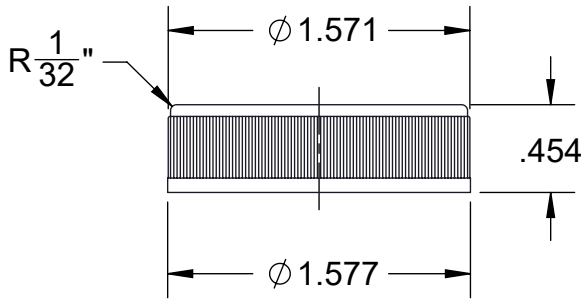


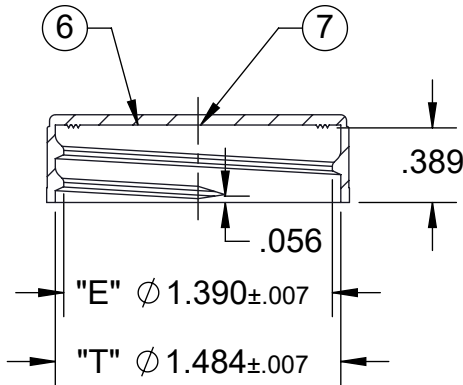
# PRODUCTION RELEASE



**TOP VIEW**



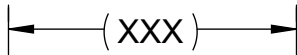
**DECORATION DETAIL**  
(180) EQUISPACED RIBS  
SCALE: 10-1



**NOTES:**

1. MATERIAL: POLYPROPYLENE
2. 6 THREADS/INCH
3. ALL FILLETS & RADII TO BE: .010" U.O.S.
4. TOLERANCES TO BE: ±.010" U.O.S.
5. DRAFT TO BE: 1/2° U.O.S.
6. CAVITY NUMBER
7. GATE LOCATION: INSIDE, CENTER
8. PART WEIGHT: 2.7g ± 0.3g
9. PART #5125

REV. H - 6/24/20 - KSK  
#RCT200152



REFERENCE DIMENSIONS ARE NOT INSPECTED AND NO TOLERANCE APPLIED



INSPECTION DIMENSIONS ARE VERIFIED WITH TOLERANCE

THIS DRAWING IS NOT A CONTROLLED DOCUMENT IF PRINTED OR COPIED FROM THE APPROVED LOCATION

SIZE AND STYLE

**CC38400FSJI**

DRAWING TYPE:

**CUSTOMER**

DESCRIPTION:

38mm RIBBED CLOSURE (SMOOTH TOP)

DRAWING NO:

k5125-hs

PROJECT #:

LAST MODIFIED BY AND DATE:

kkoring - 6/25/2020 4:55:09 PM

CREATED BY:

SM

CREATION DATE:

3/28/2001

SHEET

1 of 1

DRAWING REVISION:

H

SCALE:

1:1

SHEET SIZE

A



Freshness and Protection  
for Today's Packaging

# FoilSeal™ Technical Data Sheet

.035" Pulp FS 5-8

Revision: FS58-08192011

<b>Product</b>	.035" Pulp FS 5-8																				
<b>Scope</b>	Two piece pulp backed heat induction foil inner seal which will provide a tamper-evident bond to PE, PS, PET, PVC, PP and treated glass containers. It is recommended for liquid products and is an alternative to FS 5-4.																				
<b>Composition</b>	<table border="1"> <thead> <tr> <th>Material</th> <th>Standard</th> <th>Metric</th> </tr> </thead> <tbody> <tr> <td>Pulp</td> <td>.035"</td> <td>.889 mm</td> </tr> <tr> <td>Wax</td> <td>-</td> <td>-</td> </tr> <tr> <td>Paper</td> <td>.002"</td> <td>.0508 mm</td> </tr> <tr> <td>Foil</td> <td>.0003"</td> <td>.0076 mm</td> </tr> <tr> <td>Heat Seal</td> <td>.0015"</td> <td>.0381 mm</td> </tr> </tbody> </table>	Material	Standard	Metric	Pulp	.035"	.889 mm	Wax	-	-	Paper	.002"	.0508 mm	Foil	.0003"	.0076 mm	Heat Seal	.0015"	.0381 mm		
Material	Standard	Metric																			
Pulp	.035"	.889 mm																			
Wax	-	-																			
Paper	.002"	.0508 mm																			
Foil	.0003"	.0076 mm																			
Heat Seal	.0015"	.0381 mm																			
Composition does not include adhesive, resin or wax bonding layers (if any).																					
<b>FDA Status:</b> 21 CFR 177.1210	<b>Recommended Storage and Handling:</b> Refer to Website.																				
<b>Drug Master File (DFM):</b> #4544	<b>EU / EP Reg.:</b> Does not meet Article 3a of Reg. No. 2023/2006 and Article 3 of Reg. No. 1935/2004																				
<b>GTR Oxygen:</b> Essentially Zero	<b>MVTR:</b> Essentially Zero																				
<b>Sealing to glass containers:</b> Selig can not guarantee the performance or seal integrity of this materials when applied to any glass (treated or untreated) container. We suggest you contact your glass supplier for recommendations on glass treatments that may or may not improve performance or seal integrity.																					
<b>Print Location (if any):</b> Heat Seal Layer and/or Backing																					

Selig materials are compliant with current USFDA Food allergen Guidelines.

Selig materials are compliant with California Proposition 65 labeling requirements.

Selig materials are compliant with limitation of heavy metals in packaging per CONEG & EU 94/62/EC, article 11.

Recommended for use with dry food products. Is not suitable for use with fatty or alcoholic food types per ECC Reg. № 10/2011. Determining specific organoleptic compatibility per Article 3a of ECC Reg. № 2023/2006 is the responsibility of the food packager.

MSDS's are not required as Selig is not a chemical manufacturer or distributor and our products are 'articles' intended for food packaging per 29 CFR 1910.1200 (HazCom).

The information contained within this product data bulletin is to be used as a general guide in determining which structures are offered for sealing to specific container materials. All of the information which we provide is reliable to the best of our knowledge, but the accuracy thereof is not guaranteed. We suggest that consumers determine suitability for their own application.

www.seligsealing.com

Corporate Headquarters  
Selig Sealing Products, Inc.  
342 E Wabash St  
Forrest, IL 61741, USA  
Phone: +1 (815) 785-2100  
Fax: +1 (815) 657-7584

North American Sales  
Selig Sealing Products, Inc.  
184 Shuman Blvd., Suite 310  
Naperville, IL 60563, USA  
Phone: +1 (630) 922-3158  
Fax: +1 (630) 922-8469

European Sales and Manufacturing  
Selig UK, LTD 635-637 Ajax Avenue  
Slough Trading Estate  
Slough Berkshire SL14BH UK  
Phone: +44 (0) 1753 773 000  
Fax: +44 (0) 1753 773 111

Canadian Manufacturing  
Selig Canada, ULC  
145 Edward Street  
Aurora, Ontario Canada, L4G 1W3  
Phone: +1 (905) 727-0114  
Fax: +1 (905) 727-8544

Swiss Manufacturing  
Selig Switzerland LTD  
Bahnhofstrasse 11  
CH-8172 Niederglatt  
Phone: +41 (0) 44 851 50 50  
Fax: +41 (0) 44 851 50 51

