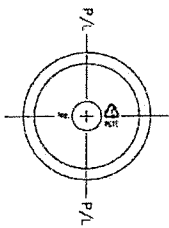
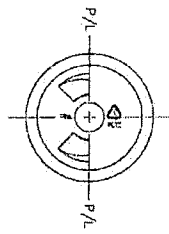
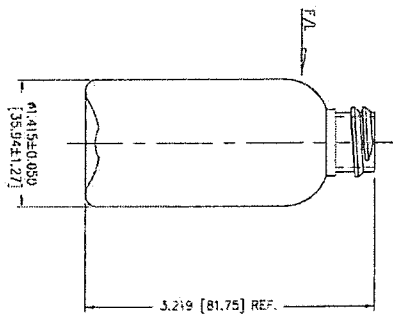
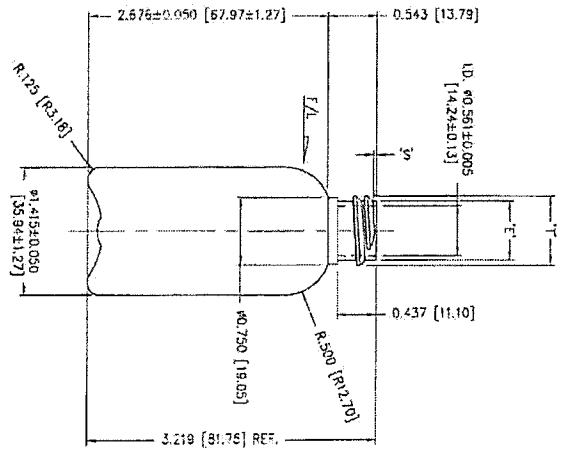


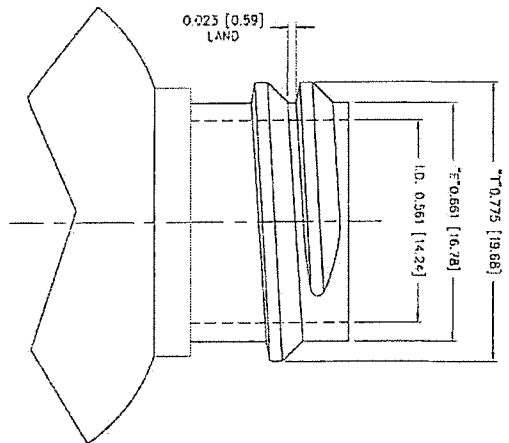
EP-42397

4101-310-5 rev A - Approved Jul 30, 2020 2:44:56 PM
 4101-310-5 rev A Rev# A ECO# 89245 - Approved Jul 31, 2020 7:05:46 AM



ALTERNATE BASE

GRAM WT: 9.5 ± 1.5
 O.F.C.: 61.5ml ± 3



SCALE: 4:1

DRAWING CHECKED		DESCRIPTION		DATE	
SPECIFICALLY FOR:		M20 SP410		GRAM WT. 9.5 ± 1.5	
NECK FINISH:		T		W	
WEIGHT		19.69 ± 0.08		16.78 ± 0.08	
CAPACITY		14.07 ± 0.38		0.94 ± 0.38	
OVERFLOW CAPACITY BEFORE DECORATING		14.07 ± 0.38		0.94 ± 0.38	
OVERFLOW CAPACITY AFTER DECORATING		14.07 ± 0.38		0.94 ± 0.38	
MATERIAL		P.P.L.		CUTTI DIA: 375 [9.53]	
SPECIAL REQUESTS		CAPACITY TO FILL LEVEL BEFORE DECORATING		35ml ± 3	
PRODUCT DESIGN TO BE APPROVED BEFORE MOLD CAVITIES ARE MACHINED.		CAPACITY TO FILL LEVEL AFTER DECORATING		61.5ml ± 3	
APPROVED BY		DRAWN BY: CM		DESC: 2oz. BOSTON RD.	
DATE		SCALE: 1-1		DATE: DEC 11/15	
This drawing subject to standard industry tolerance S.P.L.		BOTTLE MATL: PETE		DRAWING NO. 7-32825-PD	
		CAD NAME: PBY-32825-PP		MOULD NO. 7-32825-3	