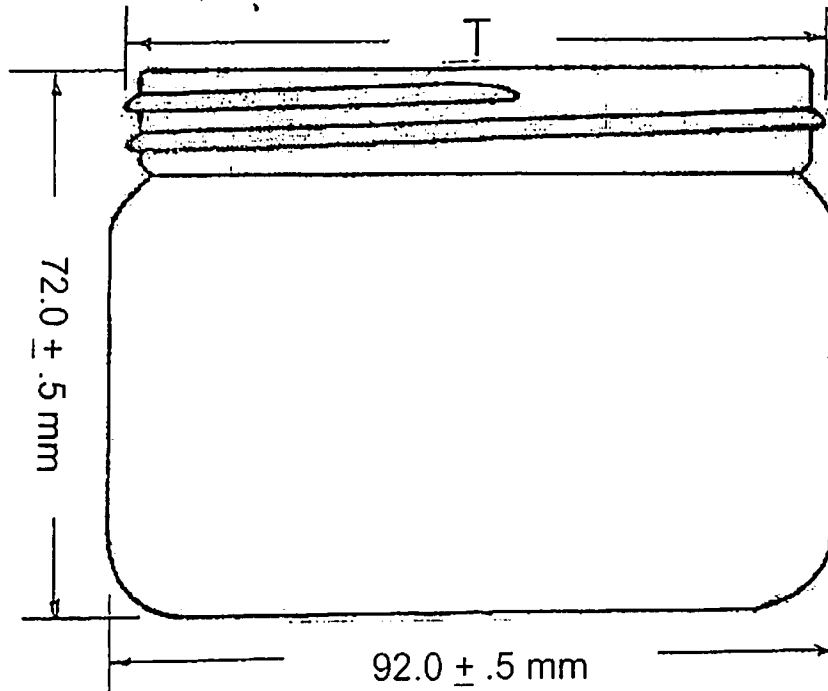





TRIPLE DOT CORP.

Plastic Container Manufacturing

3302 S. Susan St. Santa Ana, CA 92704 Tel: (714) 241-0888 Fax: (714) 241-9888



T range: 88.29 – 89.18 mm
Max. label area: 40 x 288 mm
Min. wall thickness: .5 mm
Material: High Density Polyethylene

	TRIPLE DOT CORPORATION	
	3302 S. Susan Street, Santa Ana, CA 92704 Tel: (714) 241-0888 Fax: (714) 241-9888	
Scale: 1:1	Unit: mm	12-oz