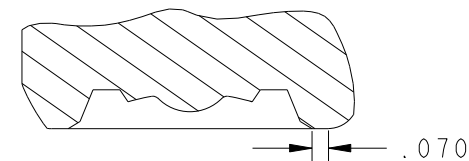
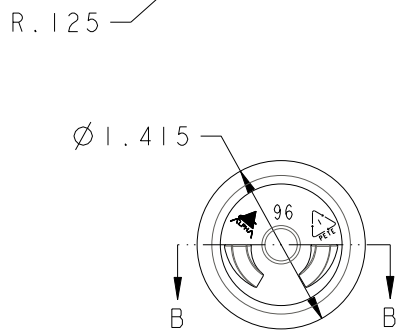
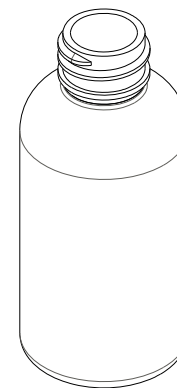


DETAIL A  
SCALE 2/1



SECTION B-B  
SCALE 2/1

NOTE:  
CLOSURES WITH MORE THAN 1 1/2 TURNS OF THREAD MAY INTERFERE WITH BEAD, WHICH ALSO MAY RESULT IN AN IMPROPER SEAL AT LAND AREA.



8.2g OVFL = 62.5 ml  
9.5g OVFL = 61.47 ml



APPROX. 2 OZ FILL LEVEL

Neck Finish: M20SP410		<b>DISCLAIMER:</b> Alpha Packaging assumes no responsibility for form, fit and function of closures, accessories, and/or shelf life and compatibility of intended contents with this bottle.			
©Alpha Packaging, Inc.	<b>Min Thk</b>	<b>Color</b>	<b>Weight</b>	<b>Std. Pack</b>	<b>Revisions</b>
All measurements are in inches, [Metric]	.010	All Colors	8.2 Gms ±1	1120, Bulk	- Chg PN - was PET-27-00, 11-15-01.S.I.
	.015	All Colors Heavy Gram	9.5 Gms ±1	1120, Bulk	A Add 8.2g 7-15-05.sct B Add note 5/16/11.sct C Add 62.5±2.5, 8/29/11.sct
Neck Dimensions:					Tolerance: Where not shown Decimal ±0.05 [1,27] Angular ±1°
T = .775±.008 E = .691±.008 H = .554±.015 I = 0.404 MIN S = .037±.015					Material: PET
Overflow Capacity: ± 2.5 ml					2
		<b>Alpha Packaging, Inc.</b> (314) 427-4300-(800) 421-4772		Scale: _____ Drawn By: SCT Date: 07-03-01	Dwg Rev: _____
<b>2oz BOSTON ROUND, PET, 20-410 2BR20410PET</b>				Approved By: SJ	Drawing NO: 2BR1XX20M410