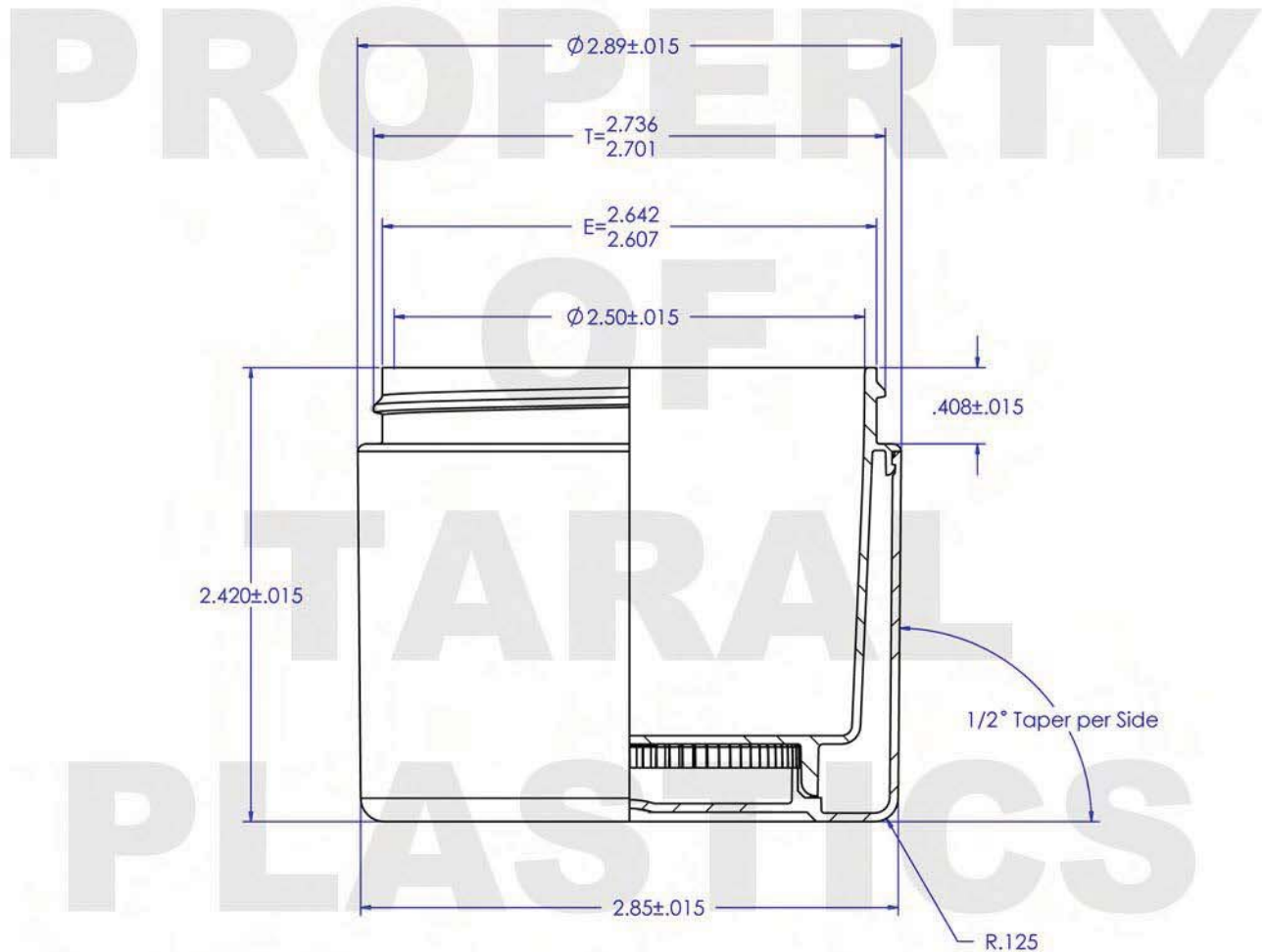


WARNING: PROPRIETARY AND CONFIDENTIAL

THE INFORMATION CONTAINED IN THIS DRAWING IS THE SOLE PROPERTY OF TARAL PLASTICS. ANY UNAUTHORIZED USE, TRANSMISSION, OR REPRODUCTION IN PART OR AS A WHOLE WITHOUT THE WRITTEN PERMISSION OF TARAL PLASTICS IS STRICTLY PROHIBITED.



DECORATION AREA
 WRAP: 8.75 inch
 HEIGHT: 1.625 inch
 DRAFT: 1/2° per Side

TOLERANCE		REV.	DATE	DESCRIPTION
DIM.	TOL.			
.00	.015			
.000	.010			

NAME	DATE
W. OTT	07/23/2012
DRAWN	
MATERIAL: PP	
APPROX WEIGHT: 34.5 grams	
APPROX OVERFLOW: 150 ml	
THREAD: "M" STYLE, 6 TPI PITCH	
COMMENTS:	

725 Zwissig Way
 Union City, CA 94587
 Phone: 866-93-TARAL
 www.TaralPlastics.com

PART DESCRIPTION:		4oz 70mm Double Wall Jar - Straight Base PP	
SIZE: A	PART CODE: 4-70-DS-PP	REV: -	
SCALE: 1:1	DO NOT SCALE DRAWING	SHEET 1 OF 1	

