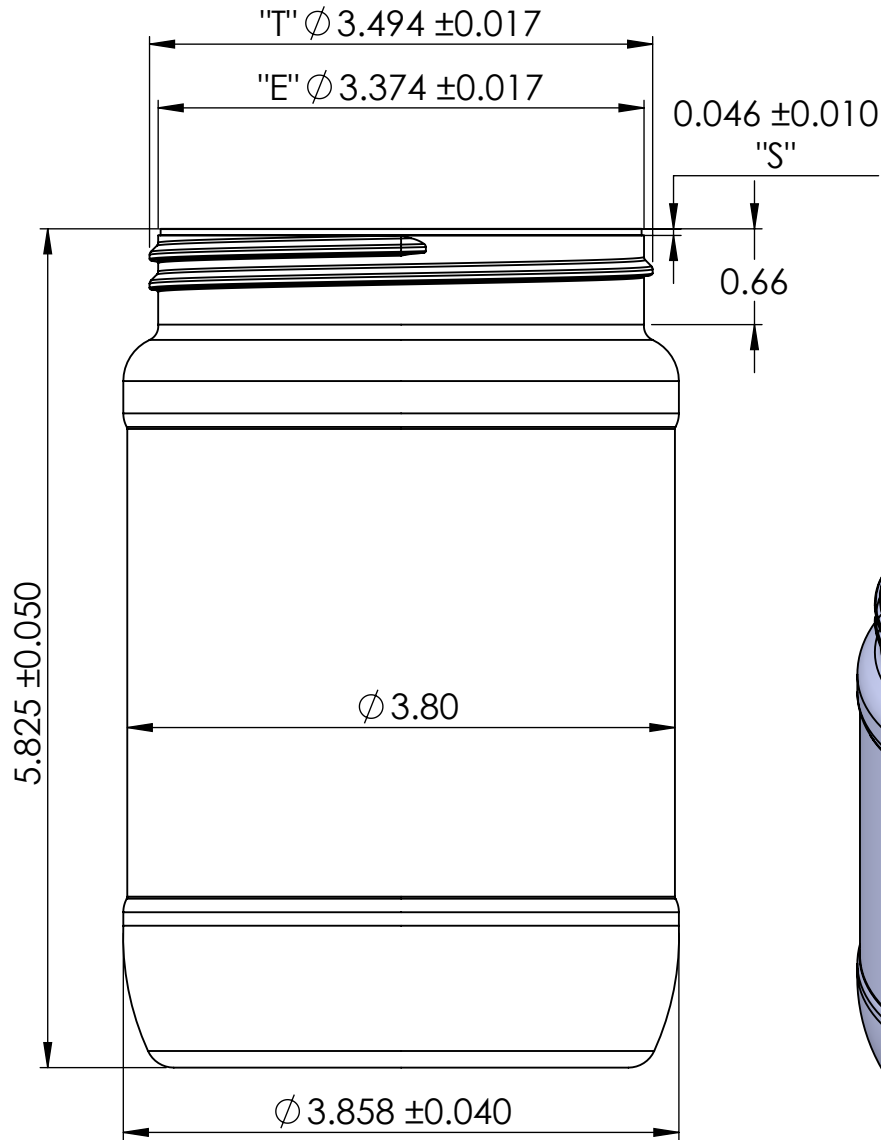


2

1

B

B



Scale 1:2

Rev.	Description	By	Date	ECR
A	Original Release	AS	5/17/07	N/A
B	Format Update	SM	6/27/2018	N/A

Notes/Comments:

1. Dimensions are nominal (millimeters/inches).
2. This drawing represents the bottle 72 hours after time of manufacture. (Storage at nominal conditions)
3. The dimensional tolerances applied to the Overall Height of the container are to be applied to all height dimensions.
4. The dimensional tolerances applied to the major diameter or width of the container are to be applied to all diameter, width and thickness dimensions.
5. The actual weight will vary based on the actual production weight of the preforms
6. Fill levels are based on room temperature water
7. Tim Plastics, Inc. assumes no responsibility for fit, function or form of closures, accessories and/or shelf life and compatibility of intended contents with this bottle.
8. The customer is responsible to determine the suitability of the intended use of this product and to keep it in a suitable environment (cool and dry) during transportation, storage and handling.

CONFIDENTIAL

Volume & Weight Information

Capacity Specification

Fill Line Capacity (Approximate):	32 oz	Overflow Capacity:	965 ± 15 ml	Process/Preform:	ISBM
Material:	PETE	Container Target Weight:	70.0 ± 5.0 gm	Neck Finish:	89SP400

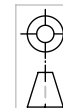
Drawing Information

Date:	6/27/2018	Drawn By:	SM
Scale:	SCALE: 3:4	Checked By:	AS

32oz. Wide Mouth Jar

PROPRIETARY AND CONFIDENTIAL

THIS DOCUMENT IS THE EXCLUSIVE PROPERTY OF TIM PLASTICS, INC. THE INFORMATION CONTAINED HEREIN, AND ANY MODEL CONTAINER OR OTHER ARTICLE RECEIVED, IS PROPRIETARY AND CONFIDENTIAL AND MUST ONLY BE USED FOR THE PURPOSE FOR WHICH IT WAS DISCLOSED. THE HOLDER WILL NOT DISCLOSE TO A THIRD PARTY. UPON COMPLETION OF USE OR BY REQUEST, THIS MATERIAL IS TO BE RETURNED TO TIM PLASTICS, INC. THIS DOCUMENT IS NO LONGER A CONTROLLED DOCUMENT WITHIN TIM PLASTICS, INC. DO NOT ASSUME THAT THIS DRAWING IS CURRENT.



Drawing Type:	Product Drawing
Drawing Number:	A 3001032
Rev.:	B

Tim Plastics, Inc.
97 N. Leslie Rd.
North East, MD 21901

2

1

A