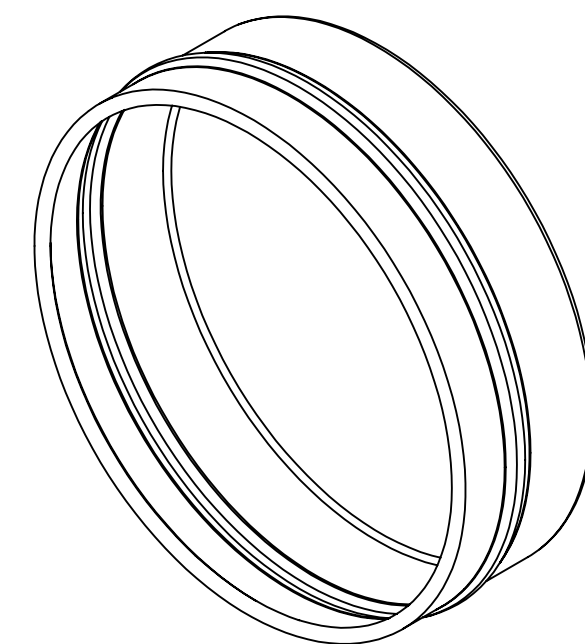


4

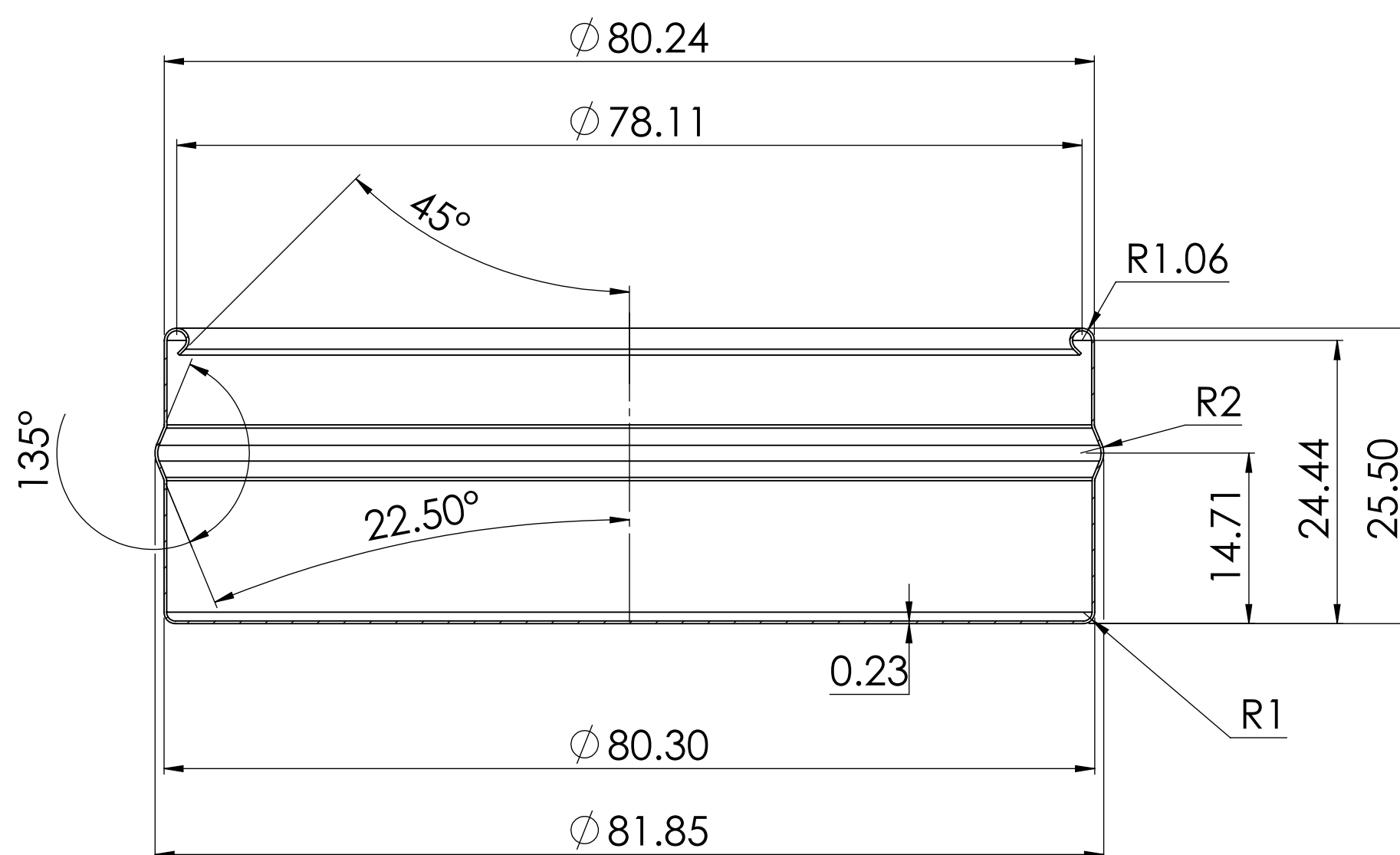
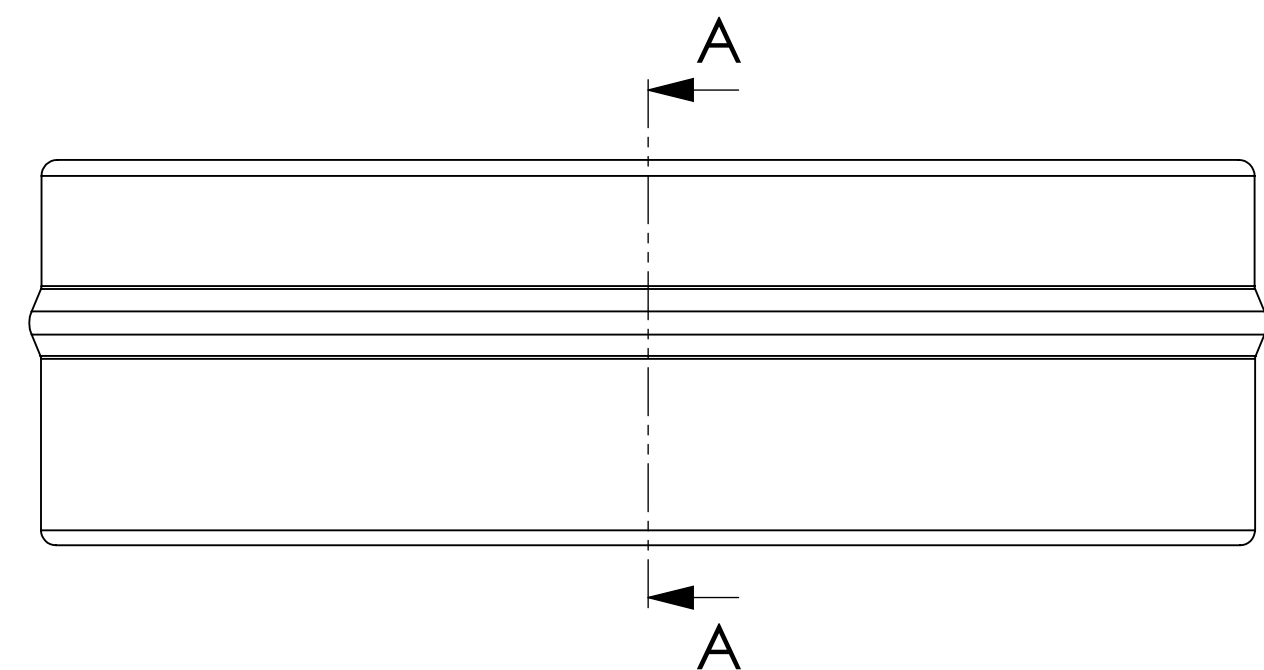
3

2

1



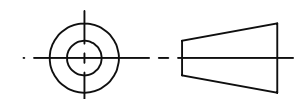
SCALE 1 : 1



SECTION A-A

UNLESS OTHERWISE SPECIFIED: DIMENSIONS ARE IN INCHES				NAME	DATE
X.	± 1/16	[X.]	± [1.0]	DRAWN	--
.X	± .020			CHECKED	--
.XX	± .010	[.X]	± [0.26]	APPROVED	--
.XXX	± .005	[.XX]	± [0.13]		
X/X	± 1/32	X*	± 1*		

DO NOT SCALE DRAWING
BREAK ALL SHARP EDGES AND
REMOVE BURRS
THIRD ANGLE PROJECTION



MATERIAL :		TITLE : Union Street Tin Co. 82x26mm Top Tins UST#: 6CP80B
FINISH :		
SIZE :	DWG NO. :	REV :
A	---	---
SCALE :	WEIGHT :	SHEET :
2:1		1 OF 1

4

3

2

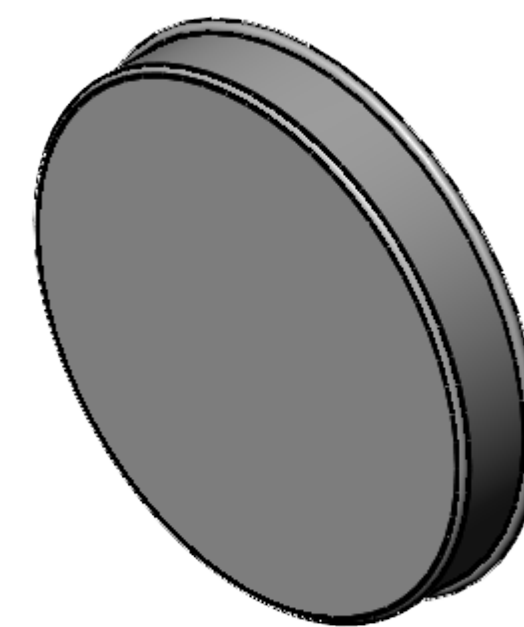
1

4

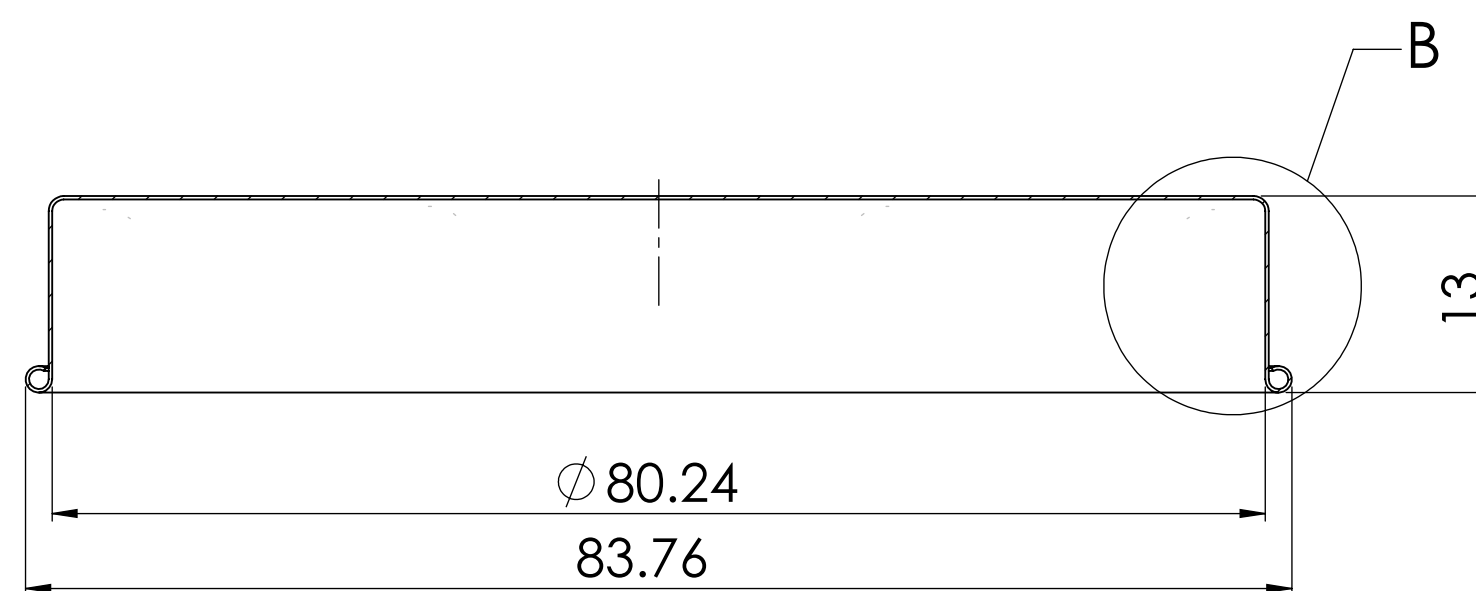
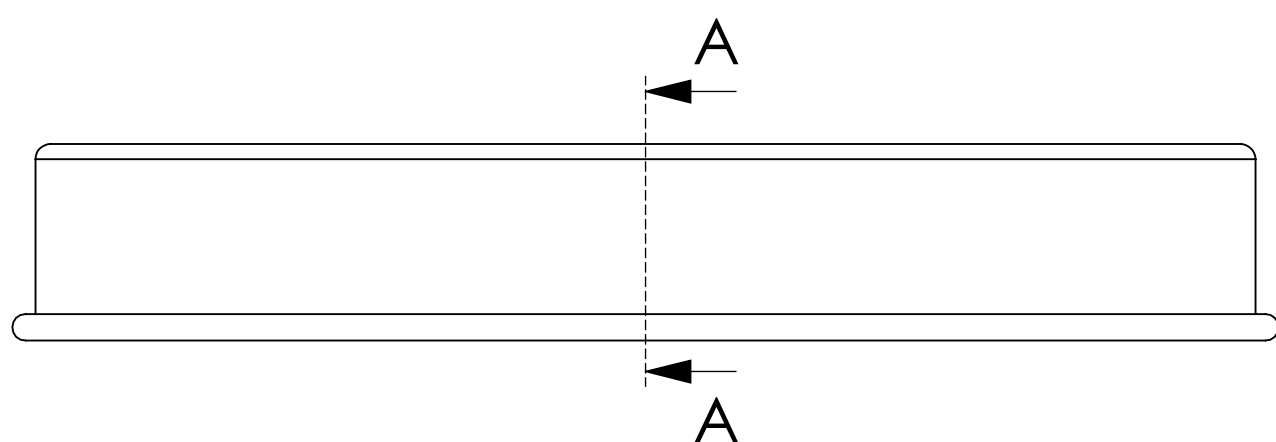
3

2

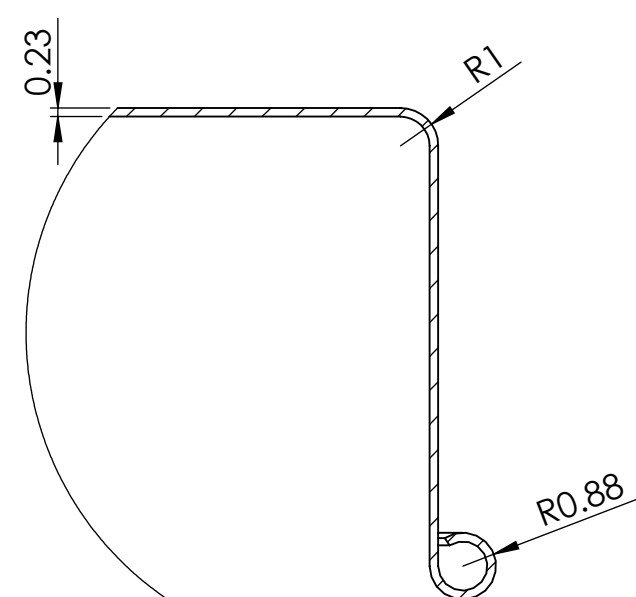
1



SCALE 1 : 1



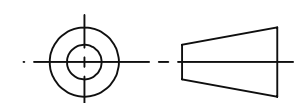
SECTION A-A



DETAIL B
SCALE 5 : 1

UNLESS OTHERWISE SPECIFIED: DIMENSIONS ARE IN INCHES			
X.	± 1/16	[X.]	± [1.0]
.X	± .020		
.XX	± .010	[.X]	± [.26]
.XXX	± .005	[.XX]	± [.13]
X/X	± 1/32	X*	± 1*

DO NOT SCALE DRAWING
BREAK ALL SHARP EDGES AND
REMOVE BURRS
THIRD ANGLE PROJECTION



NAME	DATE
DRAWN	--
CHECKED	--
APPROVED	--
MATERIAL :	
FINISH :	

TITLE : Union Street Tin Co. 82x26mm Top Tins UST#: 6CP80B		
SIZE : A	DWG NO. : ---	REV : ---
SCALE : 2:1	WEIGHT :	SHEET : 1 OF 1

4

3

2

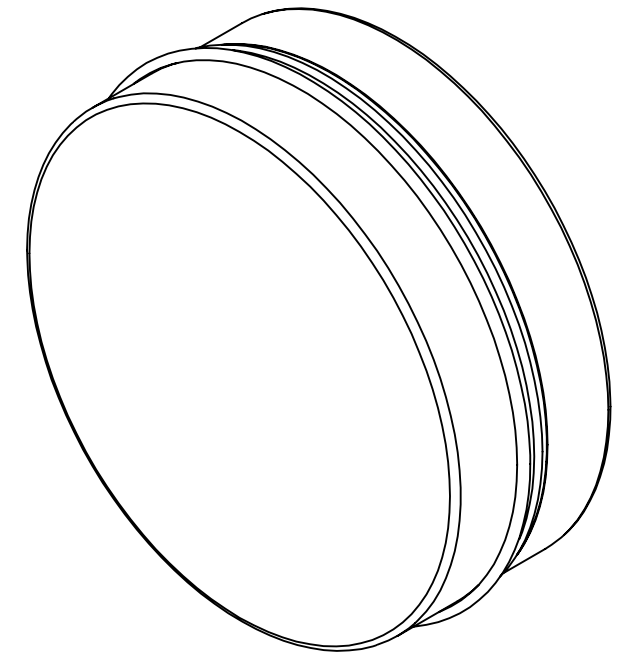
1

4

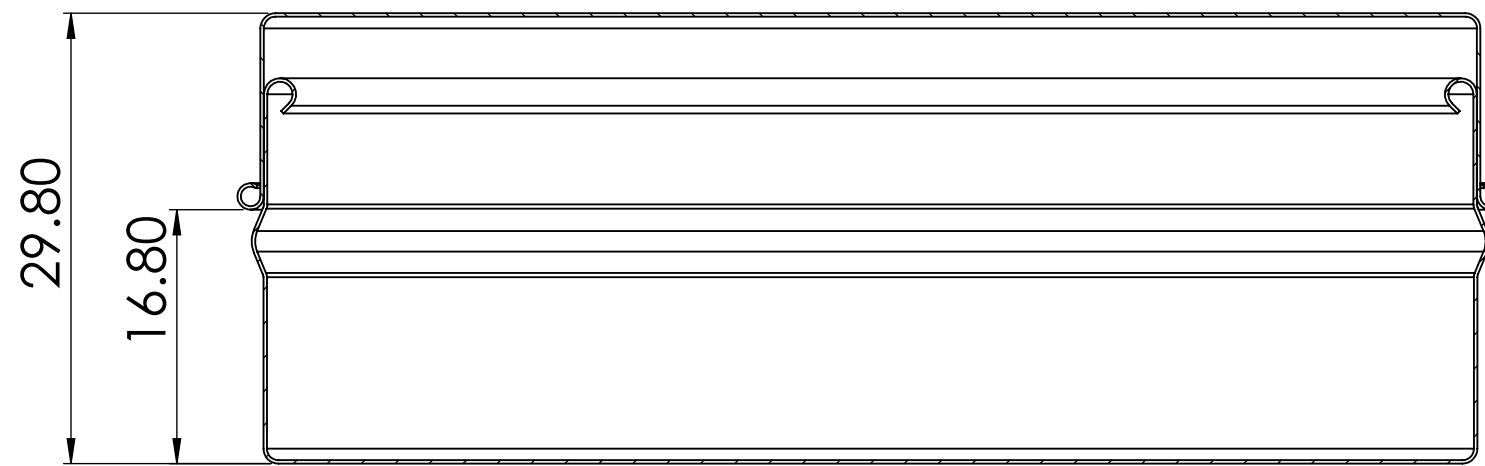
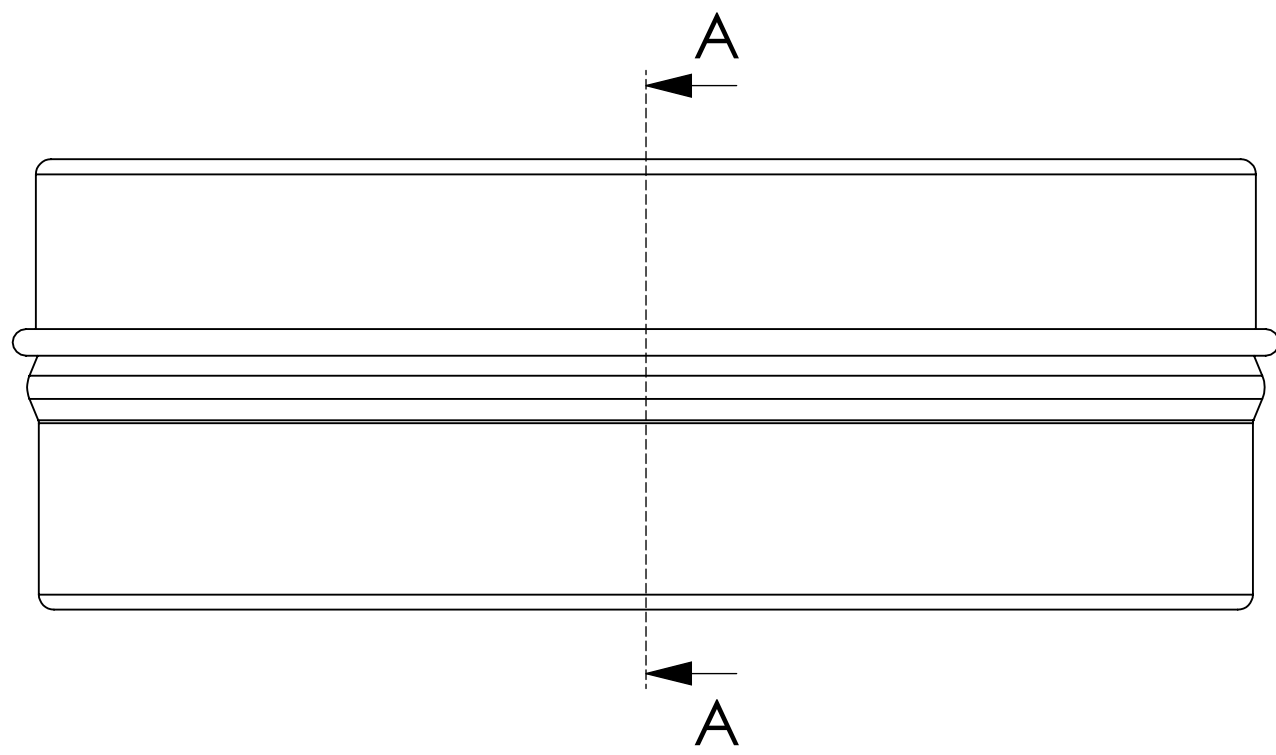
3

2

1



SCALE 1 : 1



SECTION A-A

UNLESS OTHERWISE SPECIFIED: DIMENSIONS ARE IN INCHES		NAME	DATE	TITLE : Union Street Tin Co. 82x26mm Top Tins UST#: 6CP80B
X.	± 1/16 [X.] ± [1.0]	DRAWN	--	
.X	± .020	CHECKED	--	
.XX	± .010 [X] ± [1.26]	APPROVED	--	
.XXX	± .005 [XX] ± [1.13]			
X/X	± 1/32 X* ± 1*			
DO NOT SCALE DRAWING		MATERIAL :		SIZE : A
BREAK ALL SHARP EDGES AND REMOVE BURRS				
THIRD ANGLE PROJECTION		FINISH :		REV : ---
				SCALE : 2:1
				WEIGHT :
				SHEET : 1 OF 1

4

3

2

1