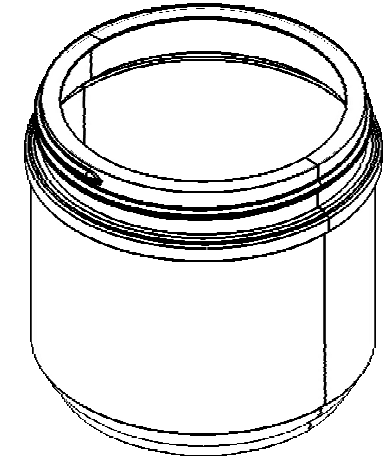
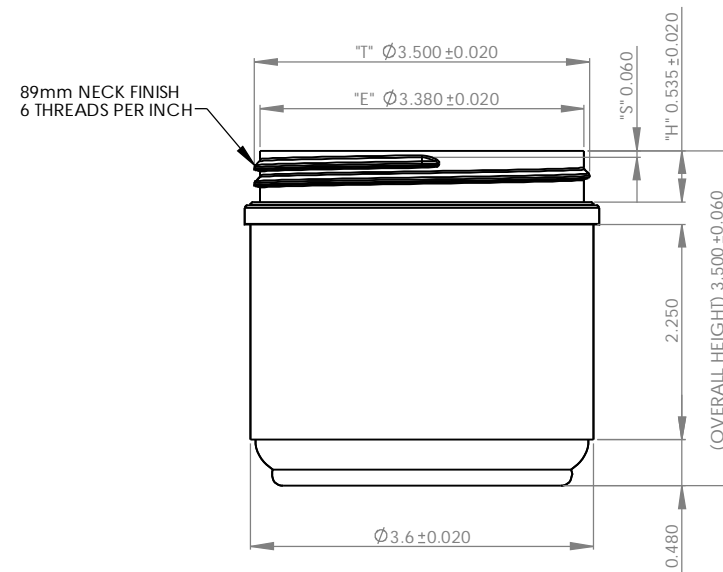
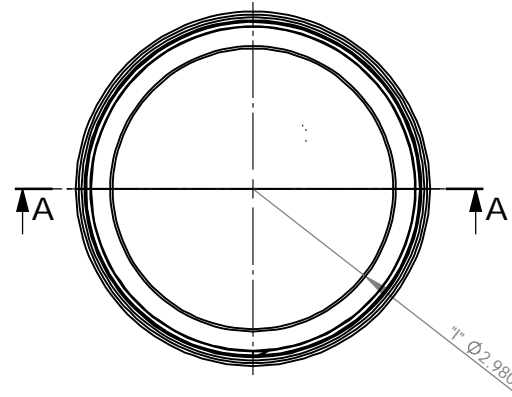
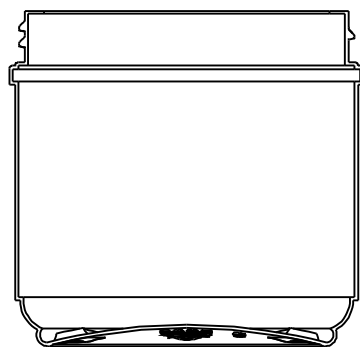


FOR REFERENCE ONLY UNLESS STAMPED OTHERWISE

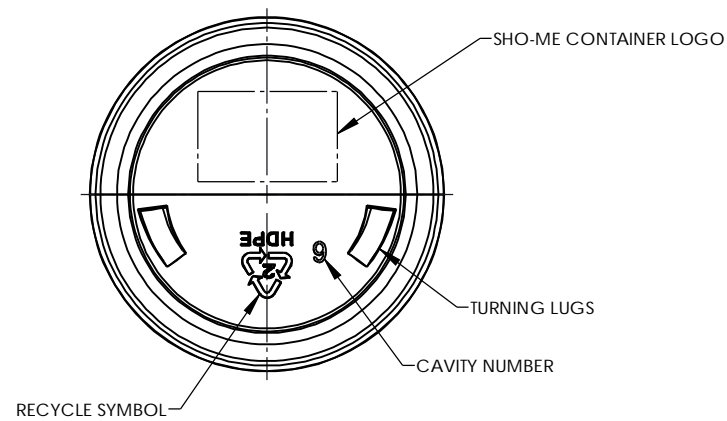


PROPRIETARY INFORMATION

This drawing is the property of Priority Plastics. It contains proprietary information and is disclosed in confidence with the understanding that it is not to be reproduced or copied, disposed of, directly or indirectly, and is not to be used in whole or in part to assist in making or to furnish any information for the making of drawings, prints, or apparatus, or parts thereof, embodying features or information derived from this drawing without the express consent of Priority Plastics, Inc.



SECTION A-A



NOTE:

- WEIGHT : 27.5gr +/- 2gr
- CAPACITY: 16oz
- OVERFLOW CAPACITY: 18.8oz
- 0.015 MIN WALL THICKNESS

DRAWN BY: JJS	DATE: 7/23/09	REVISED: -	500 Industrial Park Road Portland, Indiana 47371 260-726-7000
CHECKED BY: -	DATE: -	SCALE FACTOR: 1:1	
TOLERANCES UNLESS OTHERWISE SPECIFIED: X ± .015 XX ± .010 XXX ± .005 XXXX ± .0005 ANGULAR ± 1/2°		MATERIAL: HDPE	
DRAWING DESCRIPTION: 16oz, 89mm NECK FINISH CANISTER		DRAWING NUMBER: 016089	
SHEET 1 OF 1		DRAWING NUMBER: 016089	