

SMOOTH TOPS & SIDES

45-400-85 S



Specifications:

DIAMETER 45 mm
THREAD PROFILE 400
NECK FINISH 45-400
CLOSURE TOP Smooth
CLOSURE SIDEWALL Smooth
MATERIAL PP

PACKAGING & FREIGHT INFORMATION

PACK TYPE	PCS/CTN	CTNS/PALT	PCS/PALT	CTN WT*	PALT WT*	FRT CLASS
Bulk	2,750	15	41,250	21 ⁽¹⁾	303 ⁽¹⁾	125 ⁽¹⁾
Bulk	2,750	15	41,250	25 ⁽²⁾	378 ⁽²⁾	125 ⁽²⁾
CARTON DIMENSIONS: 24 x 16 x 15			PALLET DIMENSIONS: 48 x 40 x 50			

(1) Unlined Closures (2) Lined Closures *Approximate

MARKETS

Nutraceuticals, Personal Care & Cosmetics, and Pharmaceuticals.

OPTIONS

Available in white, standard colors and custom colors. Can be lined with a wide variety of liner systems including SureSeal (foam), pressure sensitive and heat induction (foil) liners.

CLOSURE BENEFITS

- Smooth top and sides lend a “clean” look to the package
- Popular for vitamins and nutraceuticals
- Popular for cosmetics



PHOENIX™

PHXPKG.COM

P 630 420 4750 E greatpkg@phxpkg.com
975 Meridian Lake Drive • Aurora, IL 60504

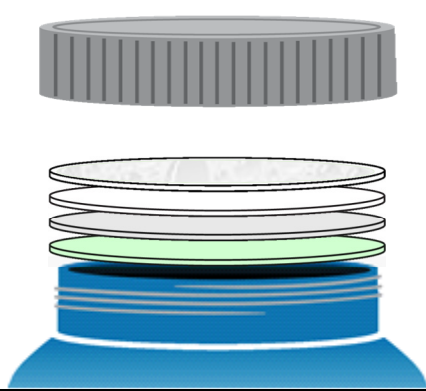
2022.06.28

PRODUCT DATA SHEET

HS035/20F

- HS035/20F is a one-piece, polystyrene backed, induction heat seal with an ethylene vinyl acetate based sealant layer that gives a tamper evident bond to Polyethylene (PE), Polypropylene (PP), Polyester (PET), Polystyrene (PS), Vinyl (PVC) and glass containers.
- Available with standard or custom print.

Typical Product Attributes

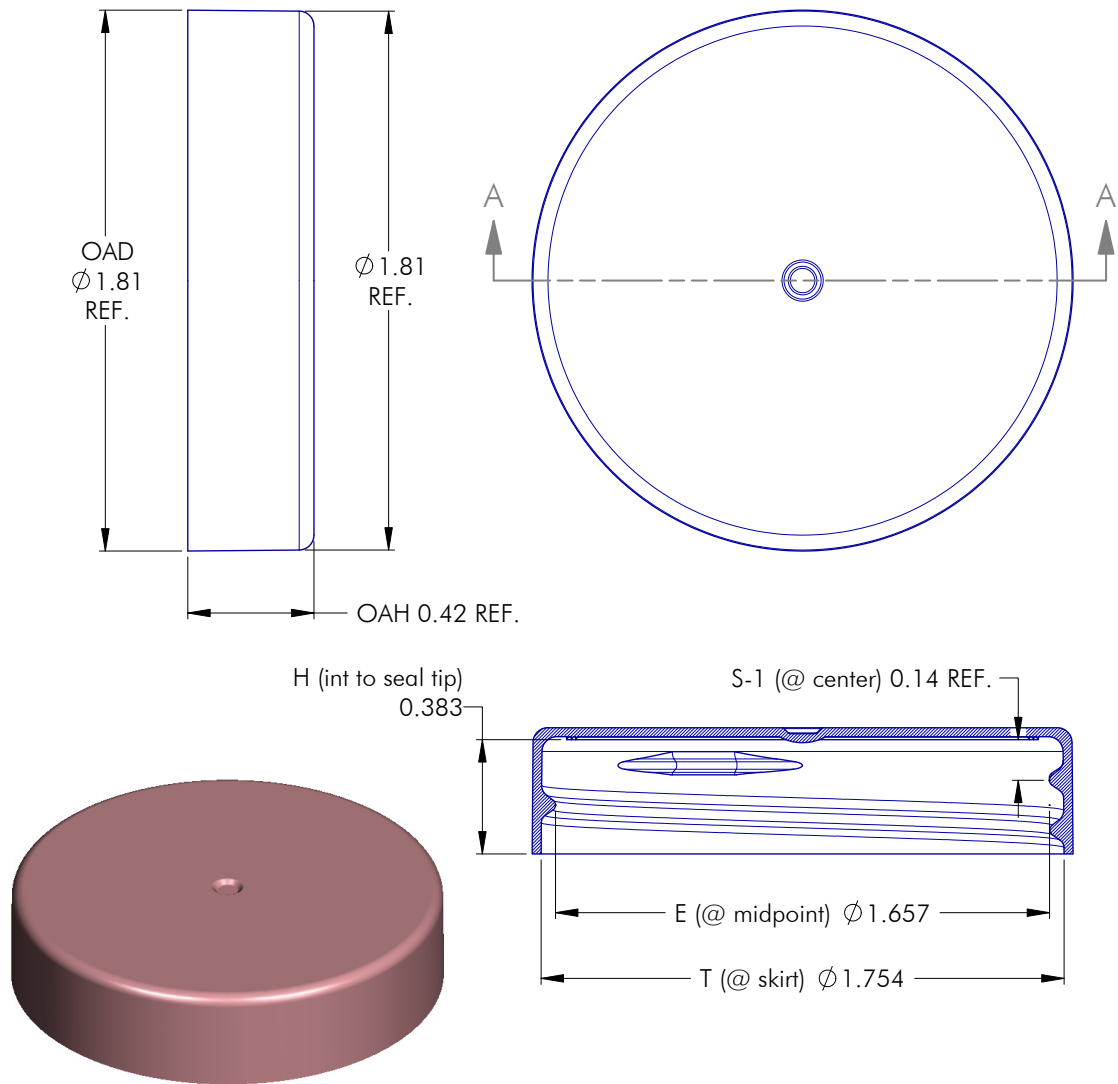
Construction			
		SI (µm)	US (Mils)
Polystyrene Foam		508,0	20.0
Paper		71,1	2.8
Aluminum Foil		8,9	0.35
Heat Seal		38,1 - 76,2	1.5 - 3.0
Thickness Tolerance		± 10%	± 10%
Minimum Width		25,4 mm	1.0 in
Width Tolerance		± 1,6 mm	± 0.0625 in
Properties			
Oxygen Transmission (O ₂ TR)	Essentially Zero		
Water Vapor Transmission (WVTR)	Essentially Zero		
Regulatory Compliance			
FDA Compliance	21 CFR 177.1640 Polystyrene and rubber-modified polystyrene. 21 CFR 177.1350 Ethylene-vinyl acetate copolymers. 21 CFR 177.1210 Closures with sealing gaskets for food containers 21 CFR 176.180 Components of paper and paperboard in contact with dry foods. 21 CFR 176.170 Components of paper and paperboard in contact with aqueous and fatty foods.		
Drug Master File (DMF)	002518		
Other Compliances	USFDA Food Allergen Guidelines; California Proposition 65 Labeling Requirements; Limitations of Heavy Metals in Packaging per CONEG & EU 94/62/EC, Article 11		
Please note that construction does not reflect adhesive or resin bonding layers, if present.			

Revision Number: 2
Revised Date: 2017-05-19

DISCLAIMER: This information is believed to be accurate at the time of printing and is subject to change without notice. Providing this information does not convey any licenses under any patent rights or intellectual property rights of Tri-Seal or others. TRI-SEAL MAKES NO WARRANTY, EXPRESS OR IMPLIED, WITH RESPECT TO THIS INFORMATION AND DISCLAIMS ALL LIABILITY FROM RELIANCE ON IT. Tri-Seal's only warranties for this product are those written warranties as may be agreed to by Tri-Seal and its customers. TRI-SEAL SPECIFICALLY DISCLAIMS ALL OTHER WARRANTIES, EXPRESS OR IMPLIED, WITH RESPECT TO THE PRODUCT, INCLUDING, BUT NOT LIMITED TO, WARRANTIES OF MERCHANTABILITY AND FITNESS FOR PARTICULAR PURPOSE.

SMOOTH TOPS & SIDES

45-400-85 S



NOTES: (UNLESS OTHERWISE SPECIFIED)				2	09.02.14	Re-define Reference Dimensions	DN
1. ALL DIMENSIONS ARE IN INCHES.				REV	DATE	DESCRIPTION	BY
2. SEE CHART FOR DIMENSIONAL TOLERANCE.				TOLERANCE	PITCH/TPI	.167 / 6	TURNS
THIS OR FACSIMILE THEREOF IS THE EXCLUSIVE PROPERTY OF PHOENIX AND MAY NOT BE REPRODUCED WITHOUT THE EXPRESSED WRITTEN CONSENT OF PHOENIX. SOME OR ALL OF THE ITEMS DEPICTED ON THIS DRAWING MAY BE COVERED BY CURRENT PATENTS OR PATENTS APPLIED FOR BY PHOENIX.				.X	±0.1	1-1/8	MAT'L
				.XX	±0.02	PP	SCALE
				.XXX	±0.010	2 : 1	REV
				45 - 400 - 85 S			2

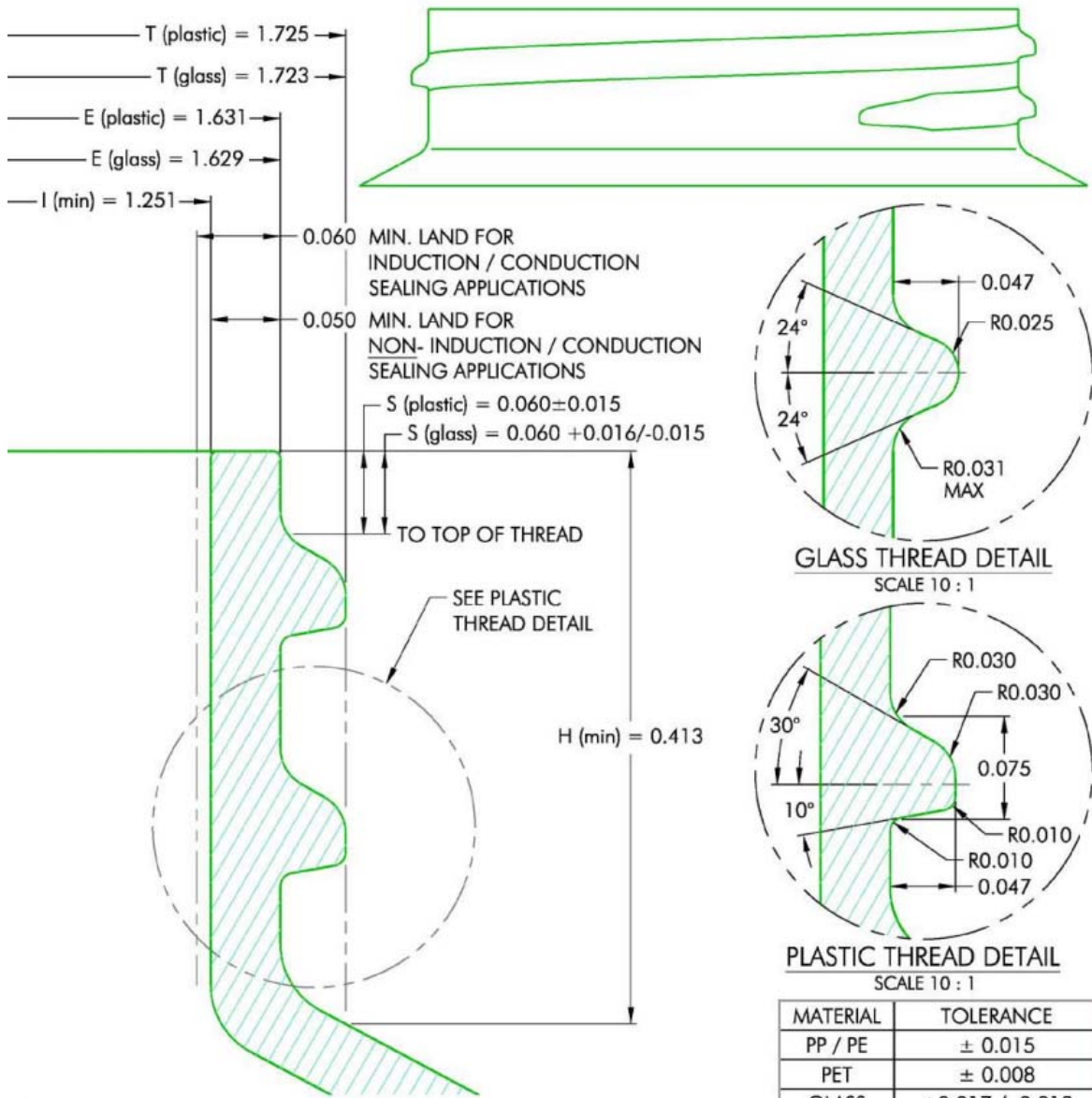


PHXPKG.COM

P 630 420 4750 E greatpkg@phxpkg.com
975 Meridian Lake Drive • Aurora, IL 60504

SMOOTH TOPS & SIDES

45-400-85 S



NOTES: (UNLESS OTHERWISE SPECIFIED)		0	09.17.96	Released	BZ
1. ALL DIMENSIONS ARE IN INCHES.		REV	DATE	DESCRIPTION	BY
2. SEE CHART FOR DIMENSIONAL TOLERANCE.				PITCH/TPI .167 / 6	URNS 1-1/8
THIS OR FACSIMILE THEREOF IS THE EXCLUSIVE PROPERTY OF PHOENIX AND MAY NOT BE REPRODUCED WITHOUT THE EXPRESSED WRITTEN CONSENT OF PHOENIX. SOME OR ALL OF THE ITEMS DEPICTED ON THIS DRAWING MAY BE COVERED BY CURRENT PATENTS OR PATENTS APPLIED FOR BY PHOENIX.		TOLERANCE	MATERIAL		Per Chart
		.X ± 0.1	DRAWN	BEZ	DATE 09.17.96
		.XX ± 0.02	SCALE 10 : 1		REV
		.XXX ± 0.010	45 - 400 - FINISH		0



PHXPKG.COM

P 630 420 4750 E greatpkg@phxpkg.com
 975 Meridian Lake Drive • Aurora, IL 60504