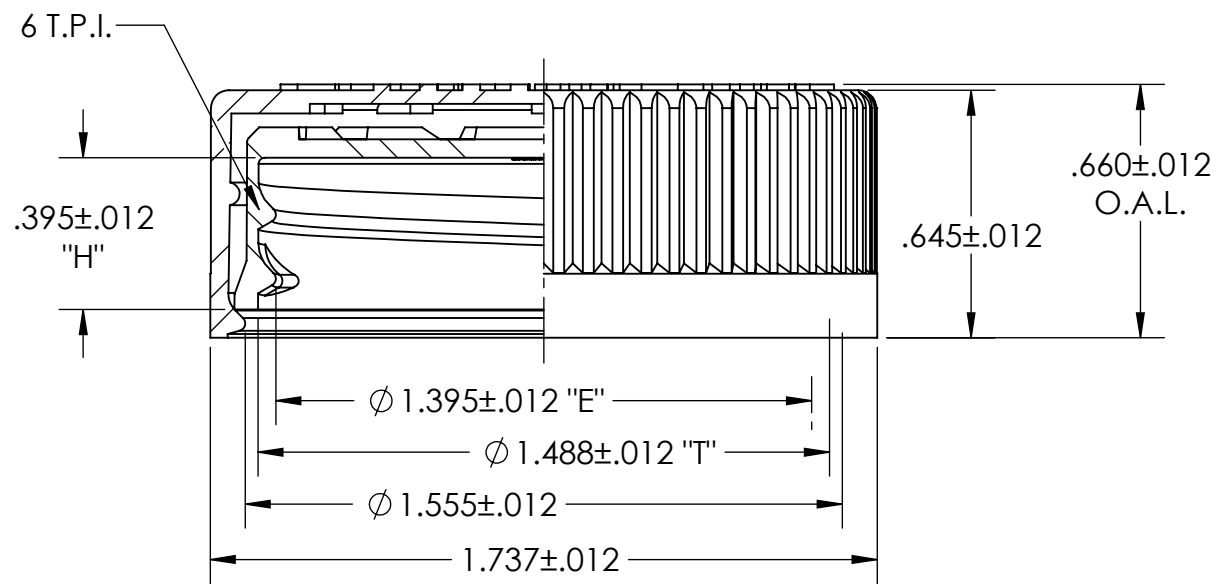
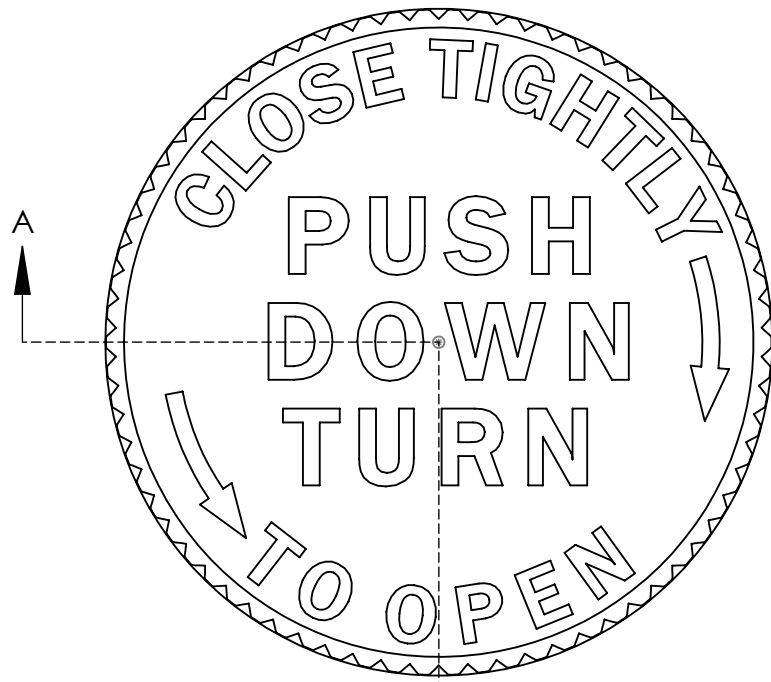


REVISIONS					
DATE	REV.	DESCRIPTION	AUTHOR	DRAWN BY	APPROVED
8/21/20	1	UPDATED TO INCLUDE REVISION HISTORY	RS	SL	BK



SECTION A-A



**ORANGE PRODUCTS Inc.**  
 1929 Vultee St,  
 Allentown, PA, 18103  
[www.orangeproducts.com](http://www.orangeproducts.com)

Part name:  
38 MM-400 CRC

Project name:  
38 MM-400 CRC

Material:  
PP

Weight:  
6.65 ±1.5 gr.

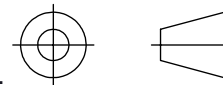
Designed by:  
S. Loukov

Approved by:  
Bruce Klotz

**CONFIDENTIAL PROPERTY**

The reproduction, use, or disclosure, in whole or in part, of the design, or details contained herein is prohibited without prior written consent of Orange Products, Inc.

All dimensions in inches. General tolerances according to DIN 16901.



<input checked="" type="checkbox"/> <b>INF</b> Issued for Information	<input type="checkbox"/> <b>IFA</b> Issued for Approval	<input type="checkbox"/> <b>IFC</b> Issued for Construction	<input type="checkbox"/> <b>IFP</b> Issued for Production
--	--	--	--

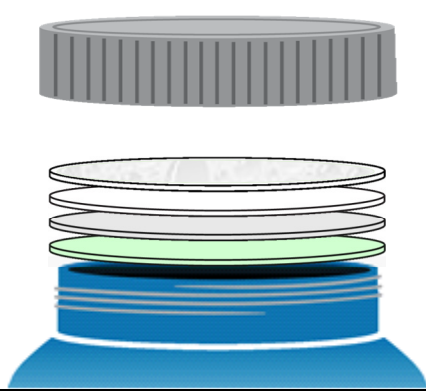
Scale	Size	Drawing number	Rev.	Date
2:1	B	16366PD-38 mm CRC	1	08/21/2020

# PRODUCT DATA SHEET

## HS035/20F

- HS035/20F is a one-piece, polystyrene backed, induction heat seal with an ethylene vinyl acetate based sealant layer that gives a tamper evident bond to Polyethylene (PE), Polypropylene (PP), Polyester (PET), Polystyrene (PS), Vinyl (PVC) and glass containers.
- Available with standard or custom print.

### Typical Product Attributes

Construction			
		SI (µm)	US (Mils)
Polystyrene Foam		508,0	20.0
Paper		71,1	2.8
Aluminum Foil		8,9	0.35
Heat Seal		38,1 - 76,2	1.5 - 3.0
Thickness Tolerance		± 10%	± 10%
Minimum Width		25,4 mm	1.0 in
Width Tolerance		± 1,6 mm	± 0.0625 in
Properties			
Oxygen Transmission (O <sub>2</sub> TR)	Essentially Zero		
Water Vapor Transmission (WVTR)	Essentially Zero		
Regulatory Compliance			
FDA Compliance	21 CFR 177.1640 Polystyrene and rubber-modified polystyrene. 21 CFR 177.1350 Ethylene-vinyl acetate copolymers. 21 CFR 177.1210 Closures with sealing gaskets for food containers 21 CFR 176.180 Components of paper and paperboard in contact with dry foods. 21 CFR 176.170 Components of paper and paperboard in contact with aqueous and fatty foods.		
Drug Master File (DMF)	002518		
Other Compliances	USFDA Food Allergen Guidelines; California Proposition 65 Labeling Requirements; Limitations of Heavy Metals in Packaging per CONEG & EU 94/62/EC, Article 11		
Please note that construction does not reflect adhesive or resin bonding layers, if present.			

Revision Number: 2  
Revised Date: 2017-05-19

**DISCLAIMER:** This information is believed to be accurate at the time of printing and is subject to change without notice. Providing this information does not convey any licenses under any patent rights or intellectual property rights of Tri-Seal or others. TRI-SEAL MAKES NO WARRANTY, EXPRESS OR IMPLIED, WITH RESPECT TO THIS INFORMATION AND DISCLAIMS ALL LIABILITY FROM RELIANCE ON IT. Tri-Seal's only warranties for this product are those written warranties as may be agreed to by Tri-Seal and its customers. TRI-SEAL SPECIFICALLY DISCLAIMS ALL OTHER WARRANTIES, EXPRESS OR IMPLIED, WITH RESPECT TO THE PRODUCT, INCLUDING, BUT NOT LIMITED TO, WARRANTIES OF MERCHANTABILITY AND FITNESS FOR PARTICULAR PURPOSE.