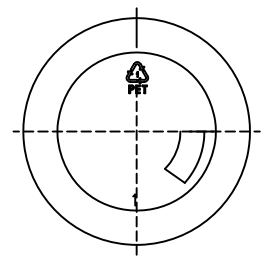
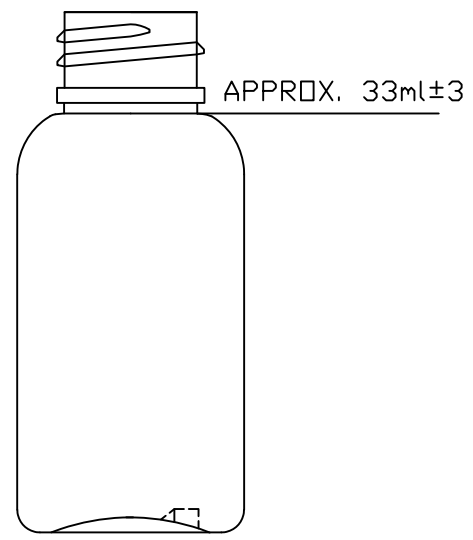
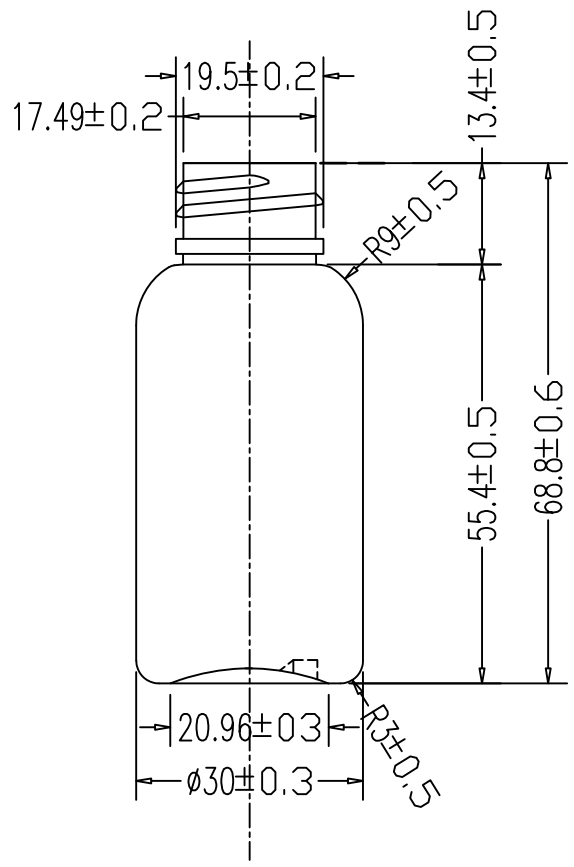


A

B

C

D



QINGDAO AURO PACK CO LTD

Neck Finish	L20SP410	Capacity	30ML bottle			
Tolerance	Material	PET	Item	JC30-1		
X.X±0.3	Shrink ratio	0.7%	Designer	Zeng	Date	2016-05-
x.xx±0.15	Weight	6g±1g	Reviewer	Li	Date	2016-05-
x° ±2°	Unit	mm	Approve		Date	
x.x° ±0.5°	Projection		Ratio	1:1	Edition	A1 SHEET 1 OF

1

2

3