

Material: PP

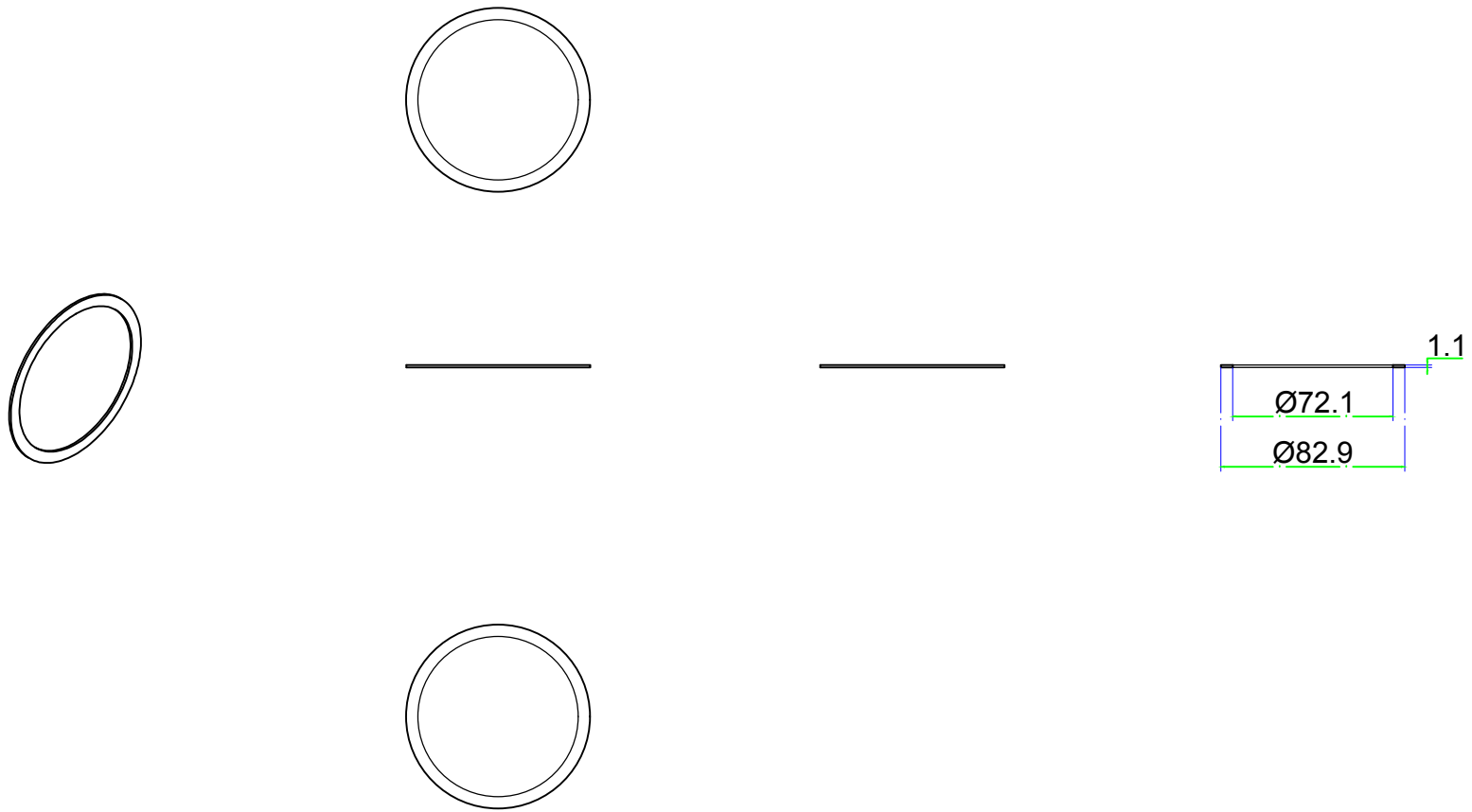
Material: PE

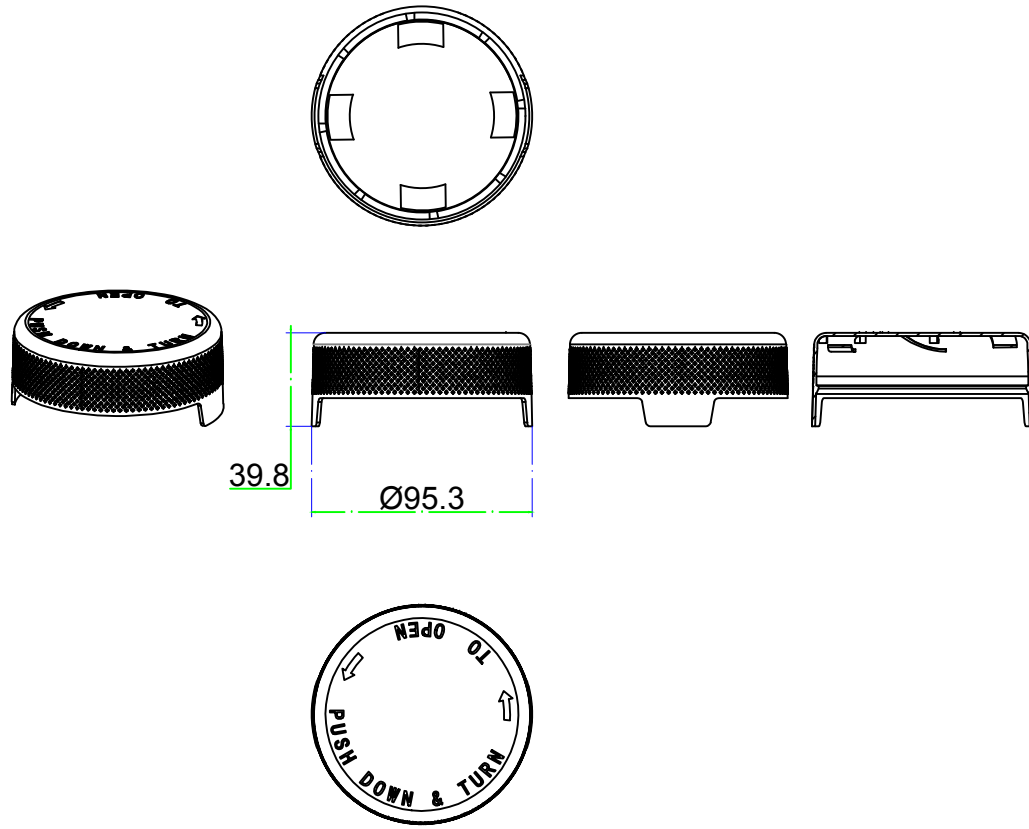
Material: TPE

Material: PET

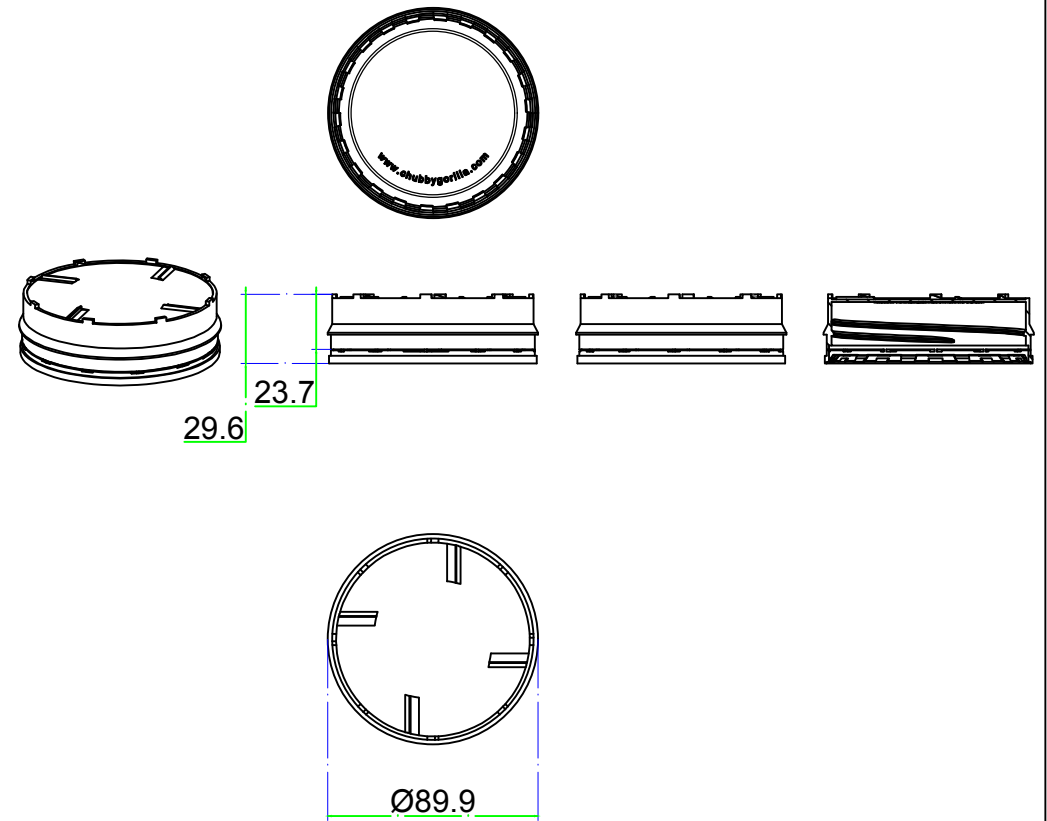
Notes:

- 1.All dimensions = mm
- 2.Dimensions=averages
- 3.Finish size=T83





Outer Closure



Inner Closure
Page 3 of 4

