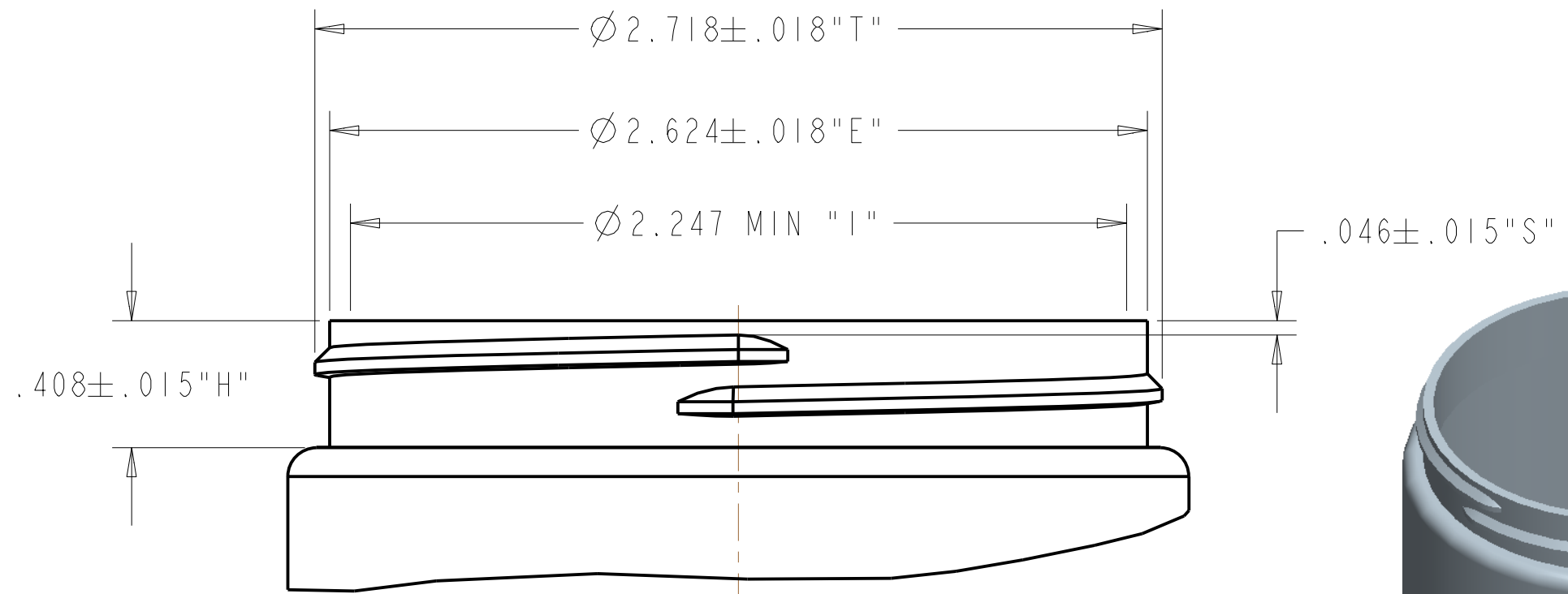
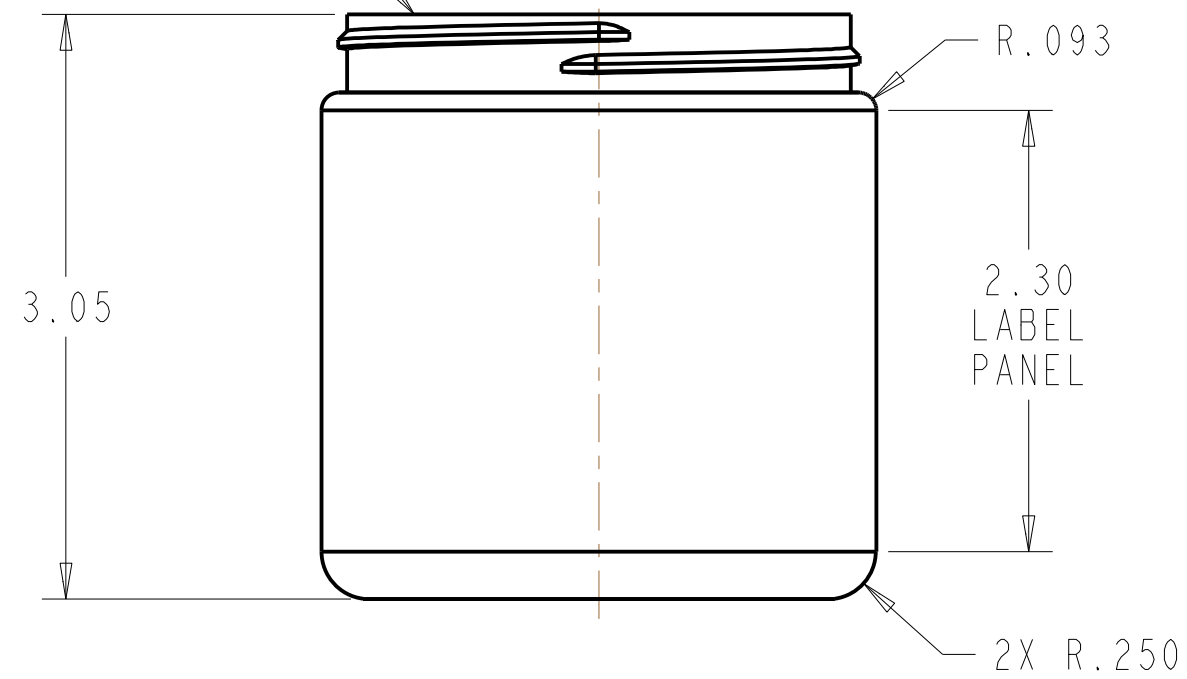
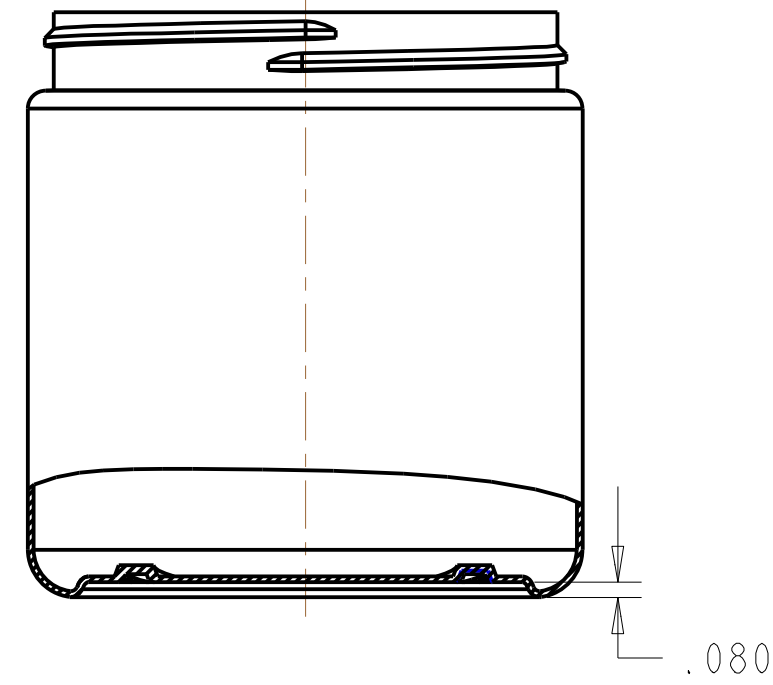
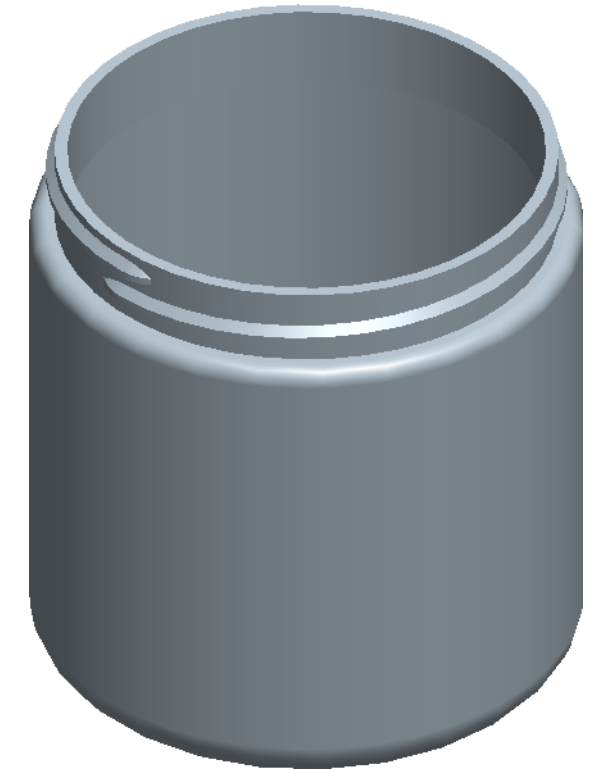


SEE DETAIL A

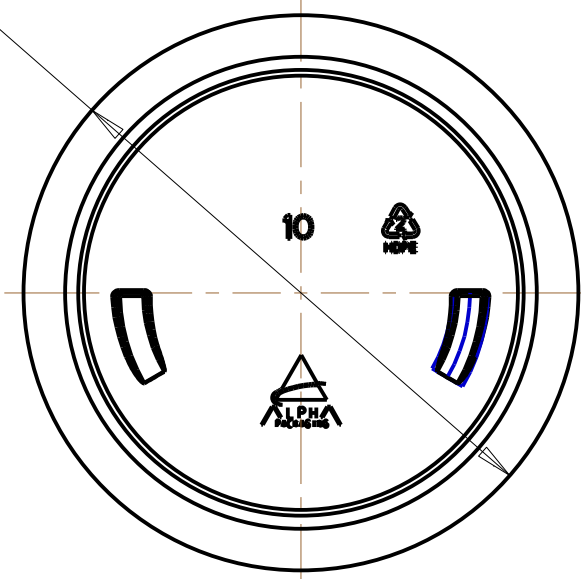



DETAIL A
M70-400 NECK FINISH
6 T.P.I., 1 THREAD TURN
SCALE 2.000



SECTION B-B

Ø2.891±.060



NPD #		DISCLAIMER: Alpha Packaging assumes no responsibility for form, fit and function of closures, accessories, and/or shelf life and compatability of intended contents with this bottle.			
Alpha Packaging, Inc.	Color	Min. Thk	Weight	Overflow Volume	Revisions
All measurements are in inches, [mm]	ALL COLORS	.025	27.0 ±2.0g	285.0 ±7.0cc	A Add spec for natural, 6-5-97, MB
					B Chg pack from 280, 12.21.98, RA
					C Std print format, 4-17-00, SJ
					D Chg pack from 260, 06/07/04, SJ
					E Doc change only, 9/02/05, sct
					F Weight tolerance was ±1.0, 07-19-12, JAZ
Tolerance: Where not shown	NECK FINISH	M70-400			 Packaging, Inc. (314) 427-4300-(800) 421-4772 Scale: 1.000 Drawn By: SJ Date: 03-03-97 DwgRev: F
Decimal ±0.05 [1.27]	MATERIAL:	HDPE			
Angular ±1					
Approved By:					Drawing NO: 8JRST70M400