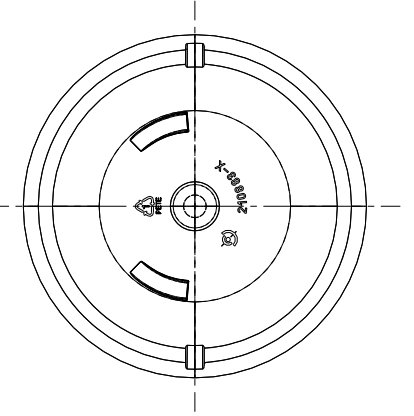
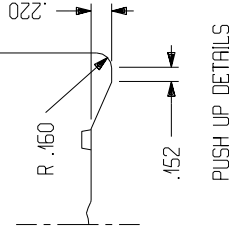
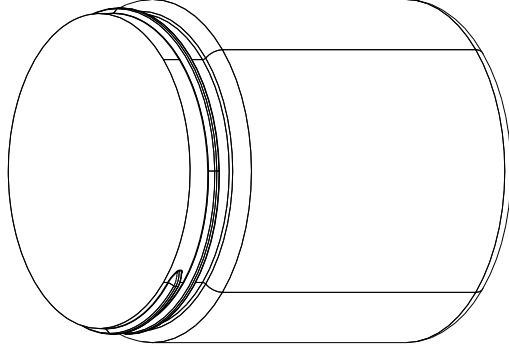
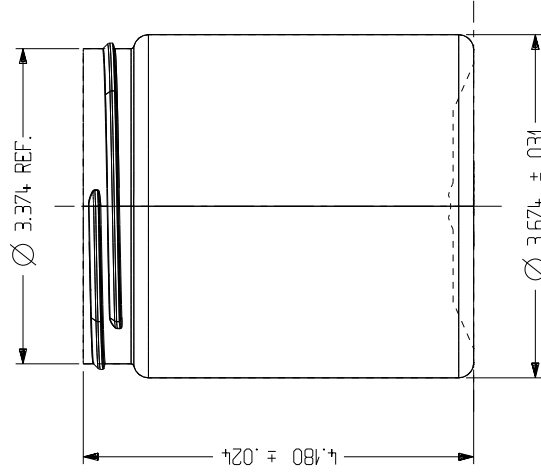


MB9-SP4.00 FINISH
 1 1/8 FULL TURNS OF THREAD
 .50" CUTTER DIAMETER
 HELIX = 7° 04'
 5 - THREADS PER INCH
 (5X)



Finish Weight	
Material Density Finish	
Body Weight	
Material Density Body	
Total Material Volume	
S.R. Below Finish	
Mold No.	
Project No.	08.12.13
Drawing Scale	07.12.13
Sheet No.	DATE
REV.	BY DESCRIPTION

<p> RESILUX AMERICA 265 John Brooks Road Pendergrass, GA 30567 </p>	
22.38 FL.OZ. - 4.00 GRAMS 19oz. WIDE MOUTH JAR MB9-SP4.00 NECK FINISH	
Material	Overflow f.c.z.
PET	22.38 ± 0.44
Gram Weight	661.9 ± 13.0
Neck Finish	CRD Project/Sub-Project/Liner
Material	RESILUX STOCK B, 190Z
Customer	RESILUX
Drawing No.	R-210883-P-B

THIS DOCUMENT CONTAINS PROPRIETARY INFORMATION OF RESILUX AMERICA THIS INFORMATION IS NOT TO BE
 COPIED OR DIVULGED TO THIRD PARTIES WITHOUT THE PRIOR WRITTEN PERMISSION OF RESILUX AMERICA