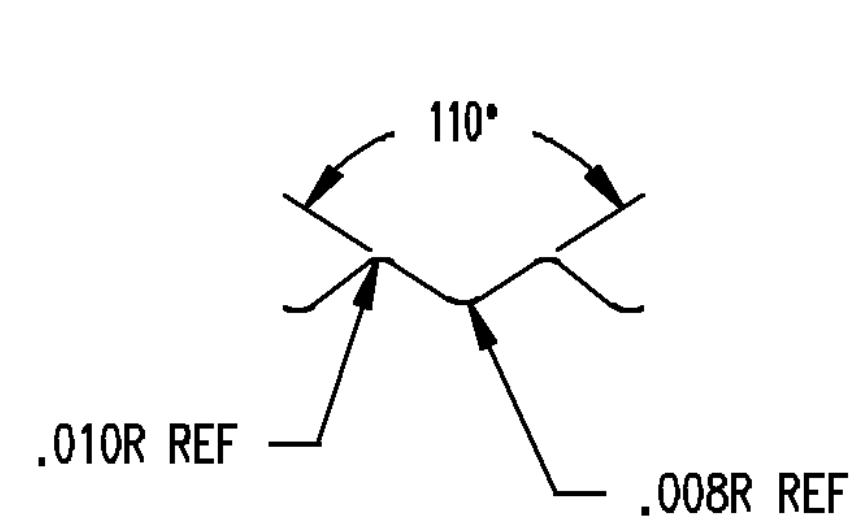
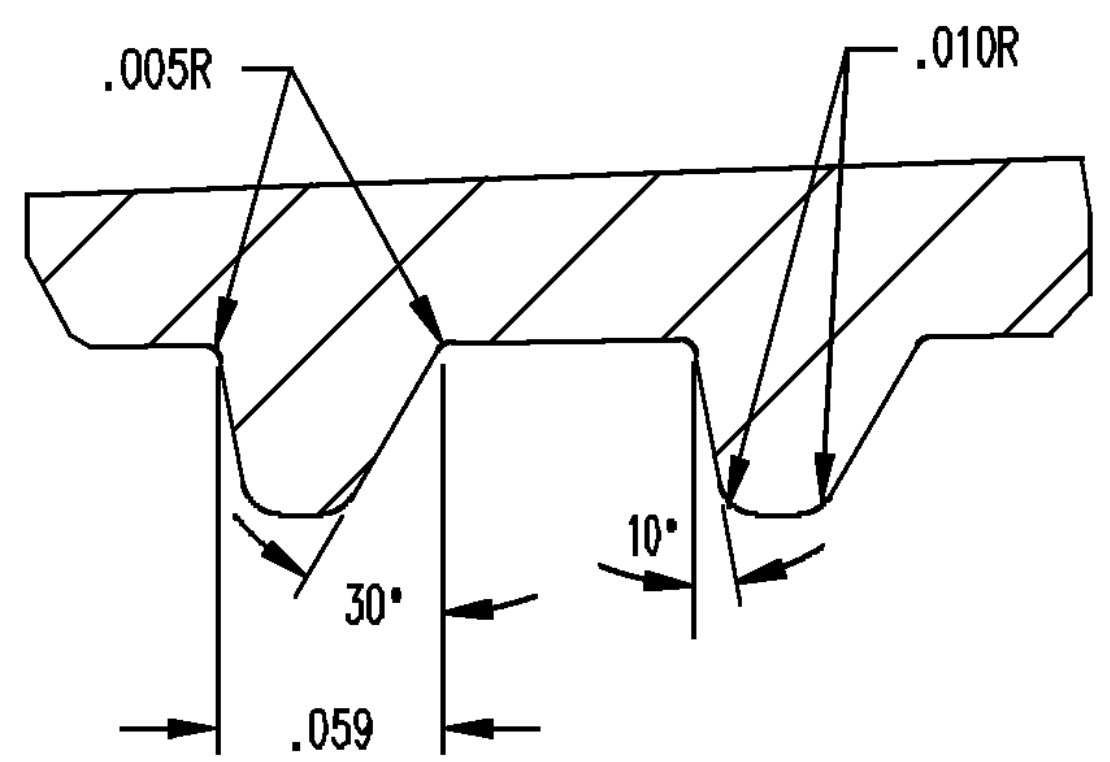


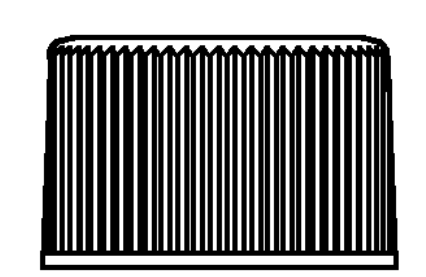
REF.	DESCRIPTION	BY/DATE
A	R.005 WAS R.015 UPDATED TITLE BLOCK	D.D. 10-16-10



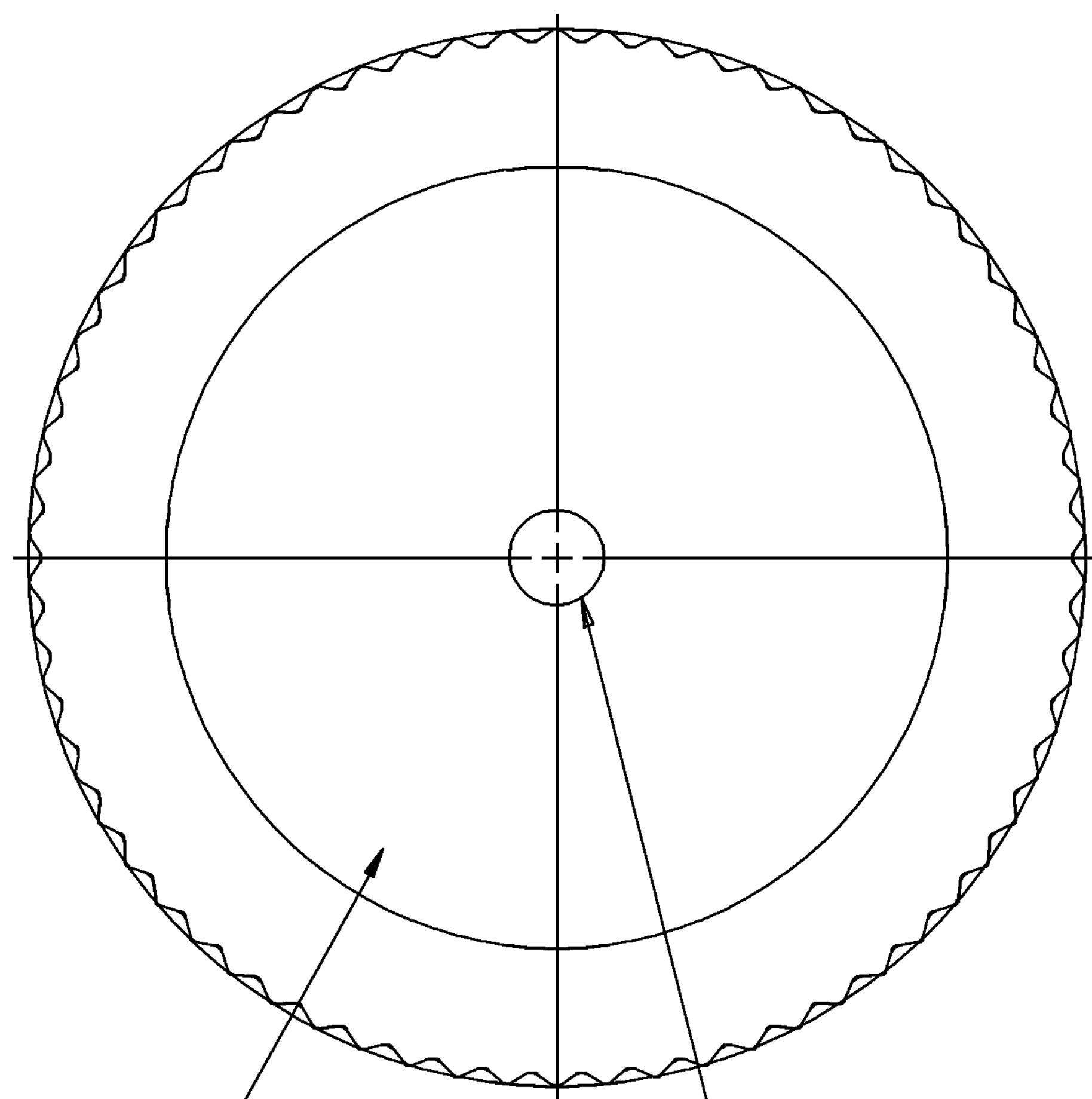
SERRATION DETAIL
66 EQUALLY SPACED - .012 DEEP
SCALE: 10-1



THREAD DETAIL
8 TPI
SCALE: 10-1

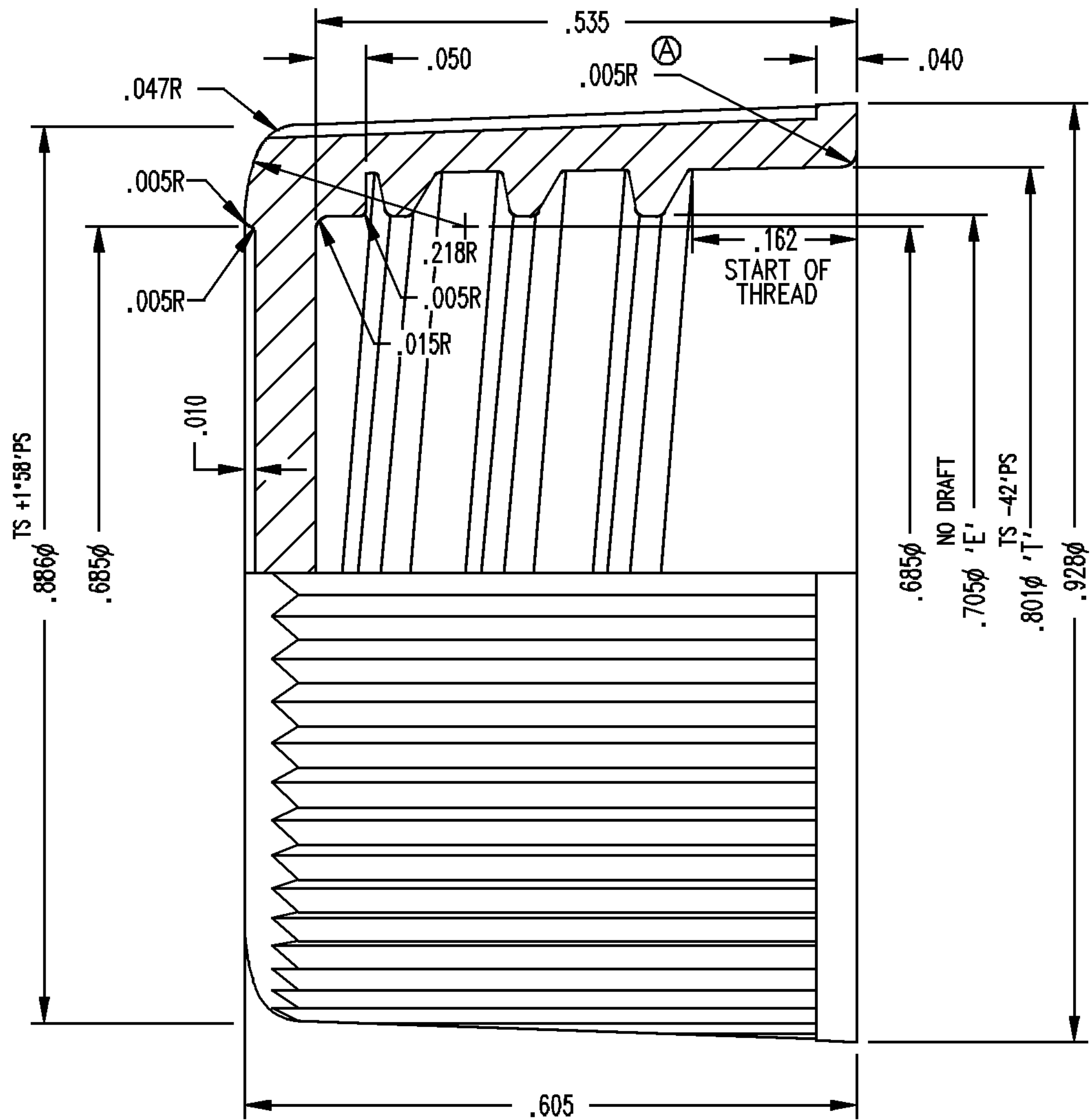


ACTUAL SIZE

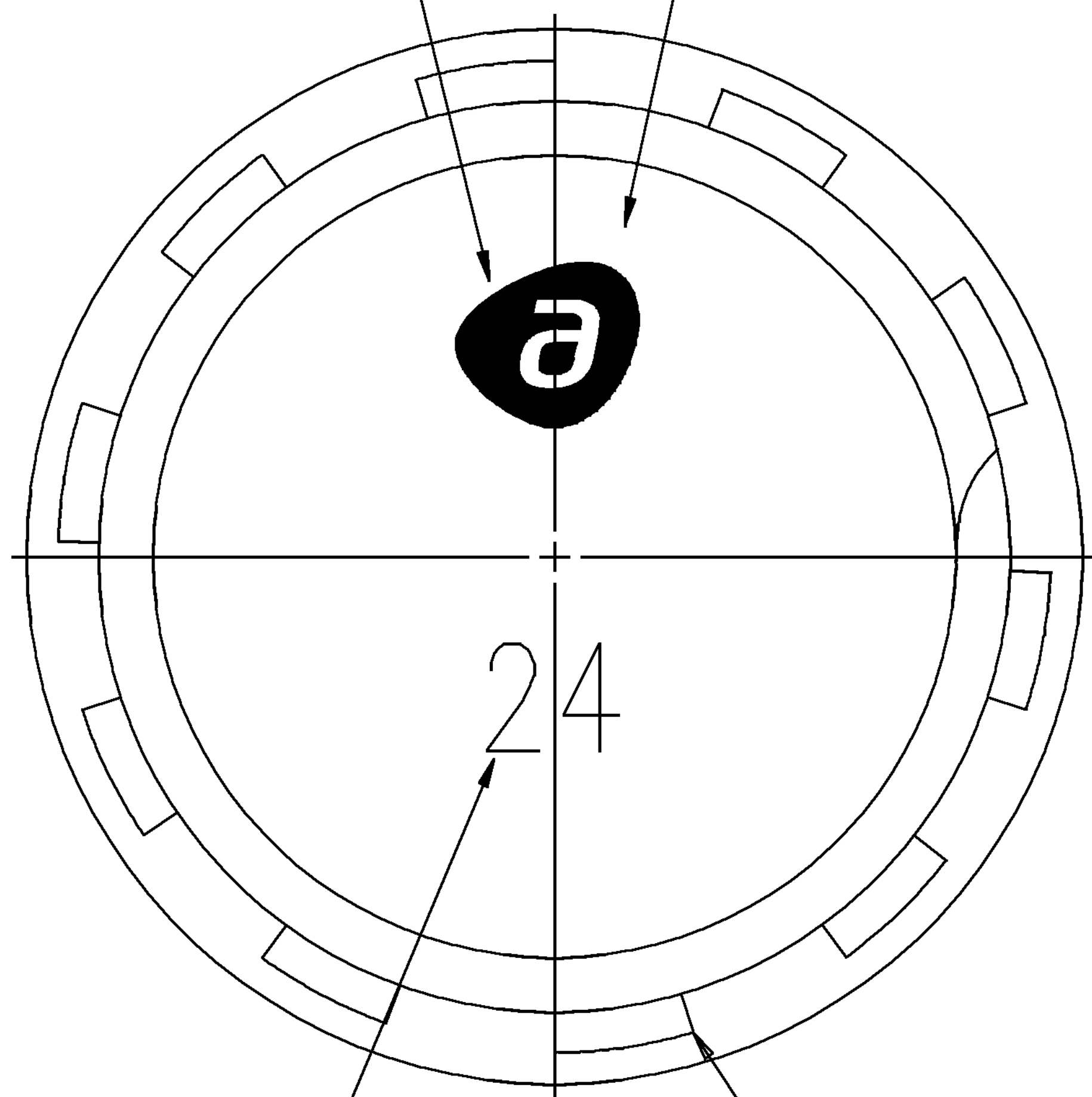


THIS RECESSED AREA IS TO BE STIPPLED AS SPECIFIED

GATE FLUSH TO .005 RECESSED



AMCOR LOGO EMBOSSED .002
THIS SURFACE TO HAVE A SATIN FINISH



CAVITY IDENTIFICATION
3/32 NUMBERS
EMBOSSED .002

UNSCREWING LUGS AS REQUIRED BY TOOL MARKER

- NOTE :**
- 1) TOLERANCES APPLY TO THE AVERAGE OF TWO MEASUREMENTS TAKEN 90° APART ON DIAMETERS
 - 2) ALL DIMENSIONS APPLY AS MOLDED.
 - 3) THIS CLOSURE WILL FIT EITHER GPI OR SPI FINISHES
 - 4) THIS CLOSURE WILL BE LINED PER CUSTOMER SPEC
 - 5) ESTIMATED WEIGHT: 1.82 GRAMS
 - 6) REFERENCE #15008

		Amcor Pharmaceutical Packaging USA, Inc		amcor		TITLE: 20-410 CLOSURE - FIN RIB - LINED	
		625 Sharp Street Millville, NJ 08332, USA				CUSTOMER: STOCK	
		This confidential drawing has been furnished by Amcor Pharmaceuticals. The information and technology thereon may not be used nor the drawing reproduced without the expressed written consent of Amcor Pharmaceuticals.				MATERIAL: POLYPROPYLENE	
DIMENSIONS ARE IN INCHES [MILLIMETERS]				DRAWN BY: D.D.		DATE: 7-1-10	
TOLERANCES UNLESS OTHERWISE SPECIFIED: DECIMALS ±0.008				PROJECT No.		CHECKED BY: DFY	
				SCALE: 5x1		DWG: B-12726	
						REV. A	