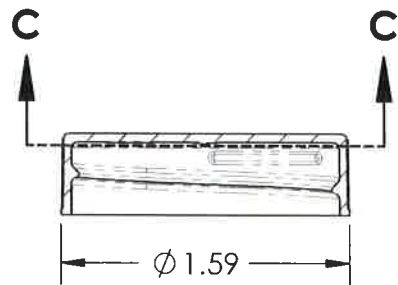
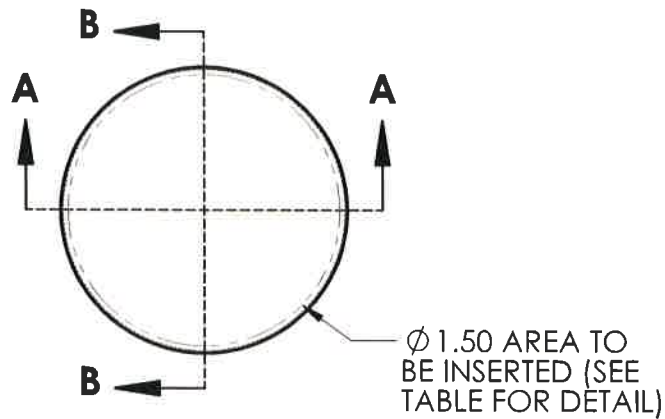
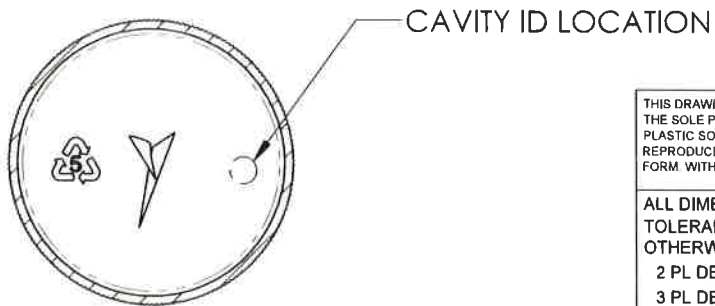


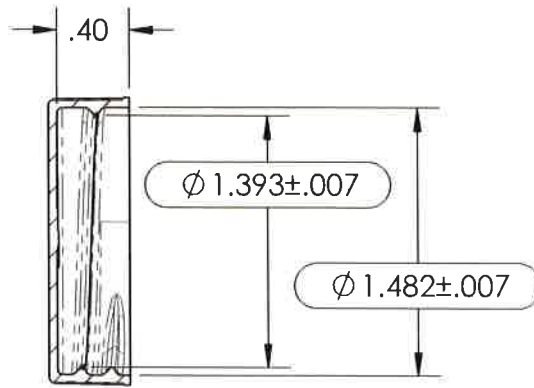
P/N	FINISH	ECN/ECO	REV.	DESCRIPTION	DRAWN	CHECKED	APPR'VD
-001	MATTE		C	REDRAWN IN SW	PWH	JL	JL
-002	POLISHED				02/28/18	05/16/18	05/16/18



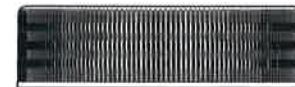
**SECTION A-A**  
SCALE 1 : 1



**SECTION C-C**  
SCALE 1 : 1



**SECTION B-B**  
SCALE 1 : 1



**ACTUAL SIZE**

- NOTES:
- 1) TORQUE SPEC.: TIGHTENING FORCE 17-26 IN-LBS
  - 2) THREAD SPEC: YORKER BUTTRESS FORM
  - 3) DIMENSIONS IN OVALS ARE INSPECTION DIMENSIONS
  - 4) GATE HEIGHT: .005 MAX.
  - 5) FLASH: .015 MAX.

THIS DRAWING IS CONFIDENTIAL AND IS THE SOLE PROPERTY OF JARDEN PLASTIC SOLUTIONS AND IS NOT TO BE REPRODUCED OR DISTRIBUTED, IN ANY FORM, WITHOUT PERMISSION.

ALL DIMENSIONS IN INCHES. TOLERANCES UNLESS OTHERWISE SPECIFIED:  
 2 PL DEC +/- .015  
 3 PL DEC +/- .010  
 4 PL DEC +/- NA  
 ANGLES +/- .50°

ALL UNDIMENSIONED FEATURES TO HAVE A TOLERANCE OF ±.010"

DRAWN:	KDM	DATE:	10/15/09
CHECKED:		DATE:	
APPROVED:		DATE:	
MATERIAL:	PP	GRADE:	
MOLD NO.:	2096	COLOR:	AS ORDERED
CUSTOMER PART NO.:			
SCALE:	1:1	SHEET:	1 OF 1

**YORKER PACKAGING**

1303 S. Batesville Rd. Greer, SC 29650-9301

TITLE: **38mm CT-400 FINISH**

REV:	JARDEN PART/DWG NO.:	SIZE
C	11025-S-C	A