



Eastlon PET CB-602 Specification

Property	Unit	Value	Test method
IV	dl / g	0.80 ± 0.02	FET - 5SACQQPR02
Melting point	°C	250 ± 5	FET - 5SACQQPR03
Color (L value)		> 82	FET - 5SACQQPR04
Color (B value)		< 2.0	FET - 5SACQQPR04
Acid number	meq/kg	35 ± 10	FET - 5SACQQPR06
Water content	wt %	< 0.4	FET - 5SACQQPR25
Packing	kg / bag	1050 or 1100	
Pellet shape		cylinder	
Pellet weight	g/100grains	1.5 ± 0.2	FET - 5SACQQPR26
Real Density	g / ml	1.4 ± 0.2	FET - 5SACQQPR26
Bulk density	g / ml	0.87 ± 0.05	FET - 5SACQQPR26
DEG content	wt %	1.3 ± 0.2	FET - 5SACQQPS26
AA content	ppm	< 1.0	FET - 5SACQQPS31

** Notes: Properties reported here are typical of average lots. FAR EASTERN NEW CENTURY CORPORATION makes no representation that the material in any particular shipment will conform exactly to the values given.*



***Color Concentrates for “Comar”
Technical Data Sheet
(Typical Properties)***

Date:	Friday, July 27, 2018
Supplier:	Penn Color, Inc.
Supplier Code:	66N9933
Batch Number:	L0118070117
Color:	Amber
Letdown Resin:	PET
Mix Ratio / Letdown Ratio:	0.5%
Pellet Size:	3/32” x 1/16” Strand-Cut Pellet
End Application:	Bottle

***Compliance documentation can be provided by Penn Color’s Regulatory Department upon request. However, be advised it is the responsibility of the user of this product to ensure compliance with all regulations that may impact their final product.**

The performance of Penn Color’s dispersions may vary due to the composition and applications of the final products in which they are used. It is therefore essential that they be thoroughly tested in their intended application prior to commercialization. Penn Color does not make any warranties with the respect to the merchantability or fitness for a particular purpose of any samples provided. Fitness for use must be determined and verified by the finished product formulator and will not be the liability of Penn Color. The sample which you requested is proprietary to, and contains confidential information of, Penn Color, and should not be analyzed or given to a third party for evaluation.

400 Old Dublin Pike
Doylestown, PA 18901
215.345.6550

2755 Bergey Road
Hatfield, PA 19440
215.997.2221

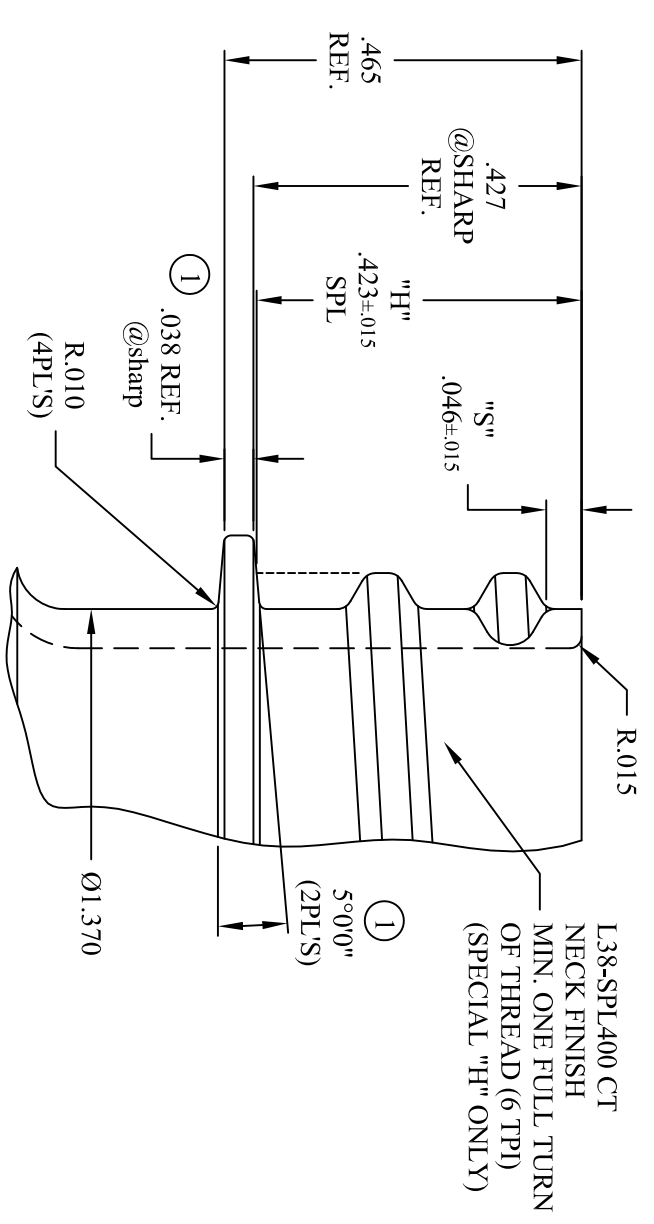
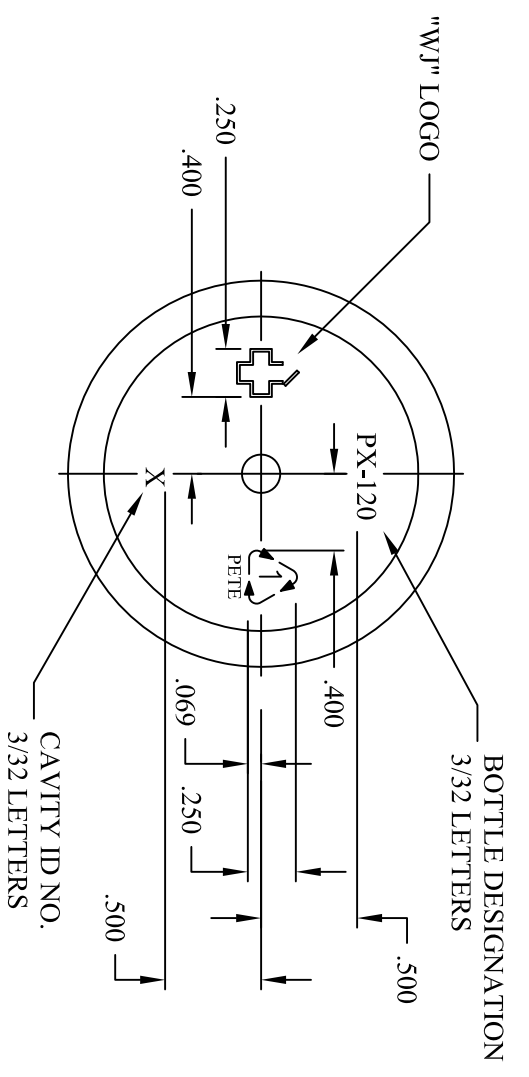
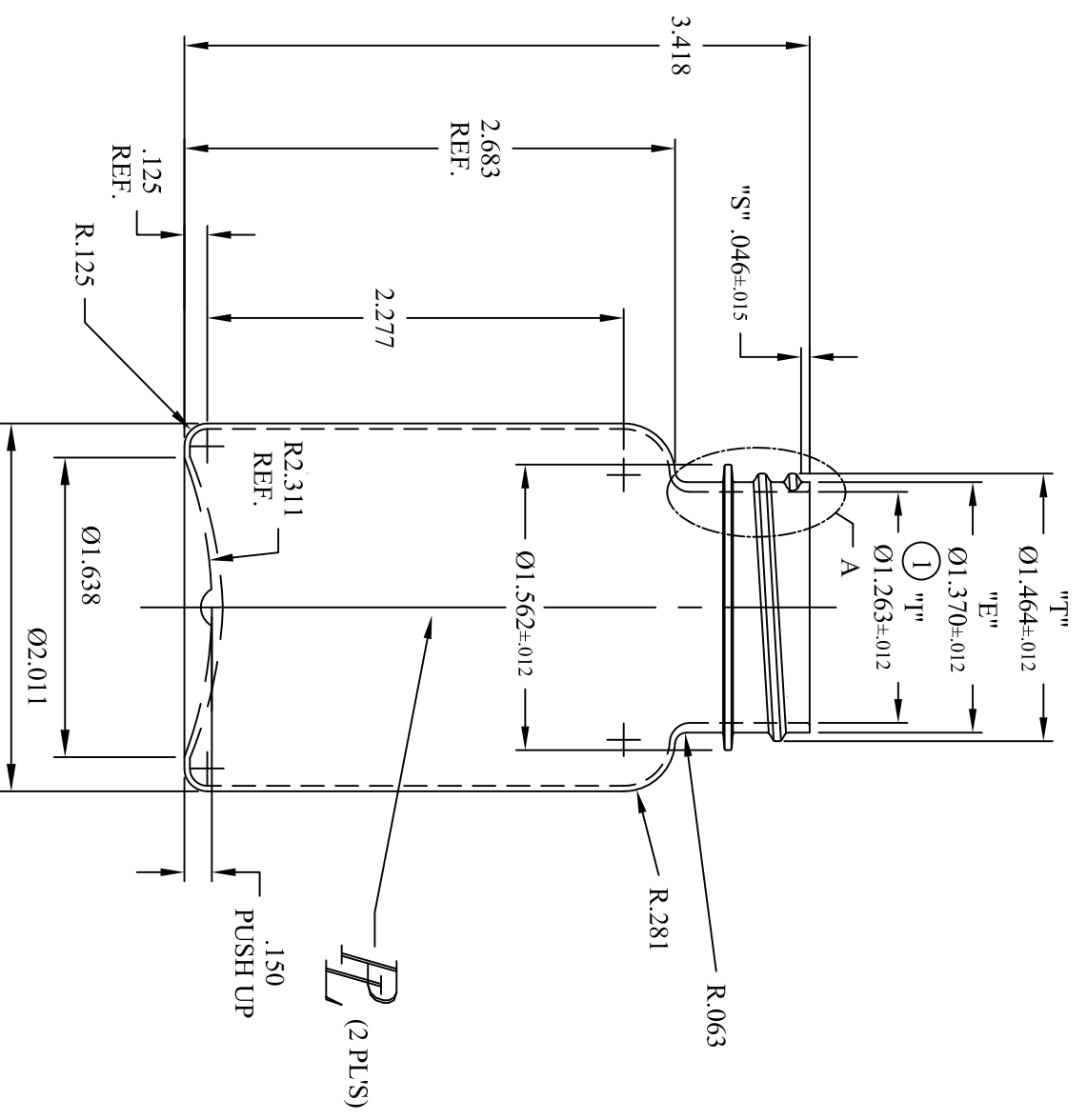
540 Hackett Mill Road
Ringgold, GA 30736
706.937.9200

30 Paul Kohner Place
Elmwood Park, NJ 07407
201.791.5100

1474 Putman Parkway
Milton, WI 53563

Smakterweg 31
5804 AE Venray
The Netherlands
+31.478.554000

Plot 808/C Dr. B.A. Road
Dadar, T.T.
Mumbai 400-014 India
+91.22.2414.0020



DETAIL A
scale 4:1

NOTES:

- ① 1) GRAM WEIGHT: 17.5 GRAMS ± 1 GRAMS
- 2) EST O'FLOW CAP'Y: 140cc ± 5cc
- 3) MAX. PERPENDICULAR DEVIATION = .005/INCH
- 4) MAX. TAPER = .002/INCH
- 5) LABEL PANEL WALL VARIATION NOT TO EXCEED .012" VERTICALLY AND RADIALY
- 6) MIN WALL IN LABEL PANEL = .016
- 7) MIN HEEL WALL THICKNESS = .012

UNLESS OTHERWISE SPECIFIED		DRAWING IS IN INCHES		TOLERANCES	
3 PLACE DECIMAL ± .030		2 PLACE DECIMAL ± .005		2 PLACE METRIC ± .05	
1 PLACE METRIC ± .1		ANGLES ± 1'		CONCENTRICITY ± ~ T.I.R.	
DO NOT SCALE DRAWING					
THIS DRAWING CONTAINS CONFIDENTIAL & PROPRIETARY INFORMATION AND MAY NOT BE REPRODUCED IN WHOLE OR PART WITHOUT WRITTEN AUTHORIZATION FROM COMAR LLC					
NAME	DATE	DRAWN BY	DATE	CHECKED	DATE
KAD	06/13/17	KAD	06/13/17	[Signature]	06/15/17
ENG APPR		QA APPR			
TITLE		MATERIAL		CUSTOMER	
PX-120 (120cc) WIDE MOUTH BOTTLE WITH 38mm SPL CT NECK FINISH		PETE		STOCK	
REV. A		COMAR OFFICIAL TITLE BLOCK		KAD06/13/17	
2		EON #1521, WEIGHT 17.5 ±1 WAS ESTD 17.5 ±1, OVERFLOW 140 ±5 WAS ESTD 150±5		KP 12/13/17	
1		EON #1273, ESTD WEIGHT 17.5g WAS ESTD 19.5g, DIM .038 WAS .054 DIM Ø1.263 WAS B1.268 <5° WAS 20°		AZ 12/17/98	
REV.		REVISION DESCRIPTION		CHECKED BY	
				DRN BY/DATE	
MOLD NO		SIZE		DWG NO	
MB2177-SBM		C		PD-B-5450	
PART NO		SCALE		SHEET	
160021204/161101204		1x1		1 OF 1	
COMMENTS		SCALE		REV	
				A	



ONE COMAR PLACE, BUENA, NJ 08310
1801 ANTONIO R BARCELO AVE, CAVEY, PR 00736
141 NORTH 5TH ST, SAADLEBROOK, NJ 07663
3217 PALME AVE, SHEBOYGAN, WI 53081
9519 JACKSON TRAIL RD, HOSCHTON, GA 30548
9177 CENTER AVE, RANCHO CUCAMONGA, CA 91730