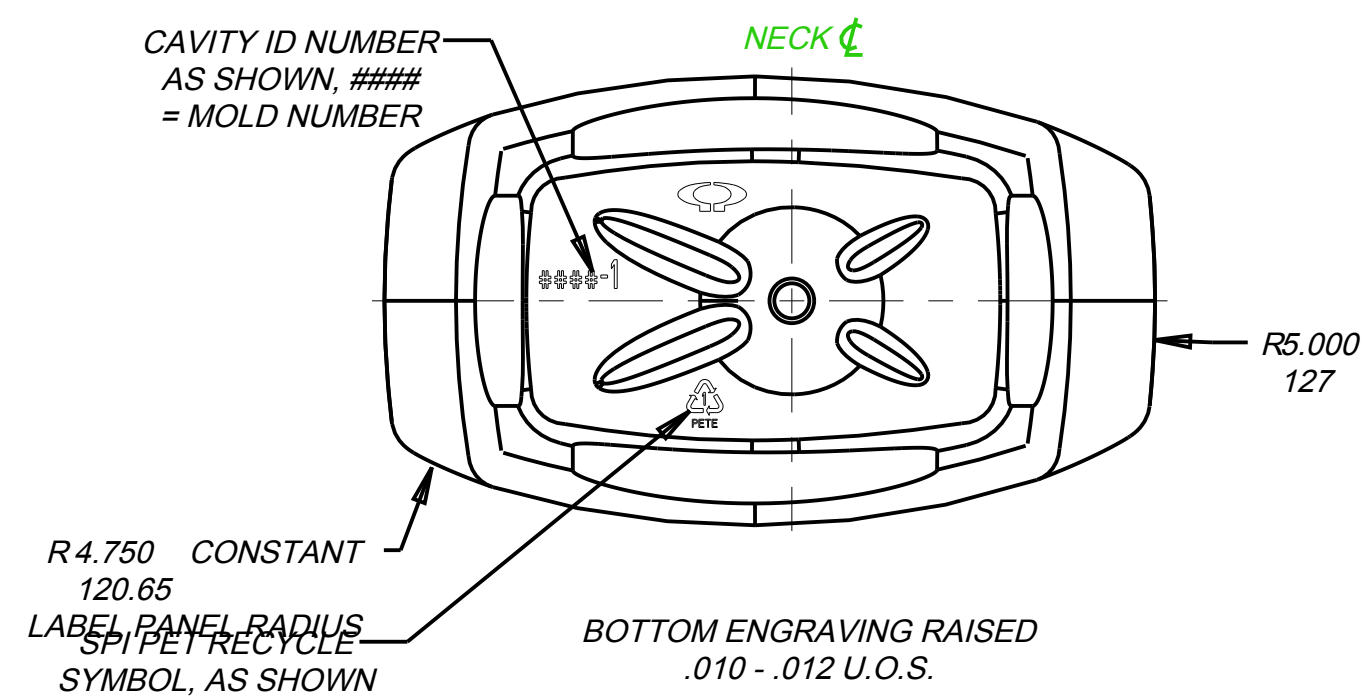
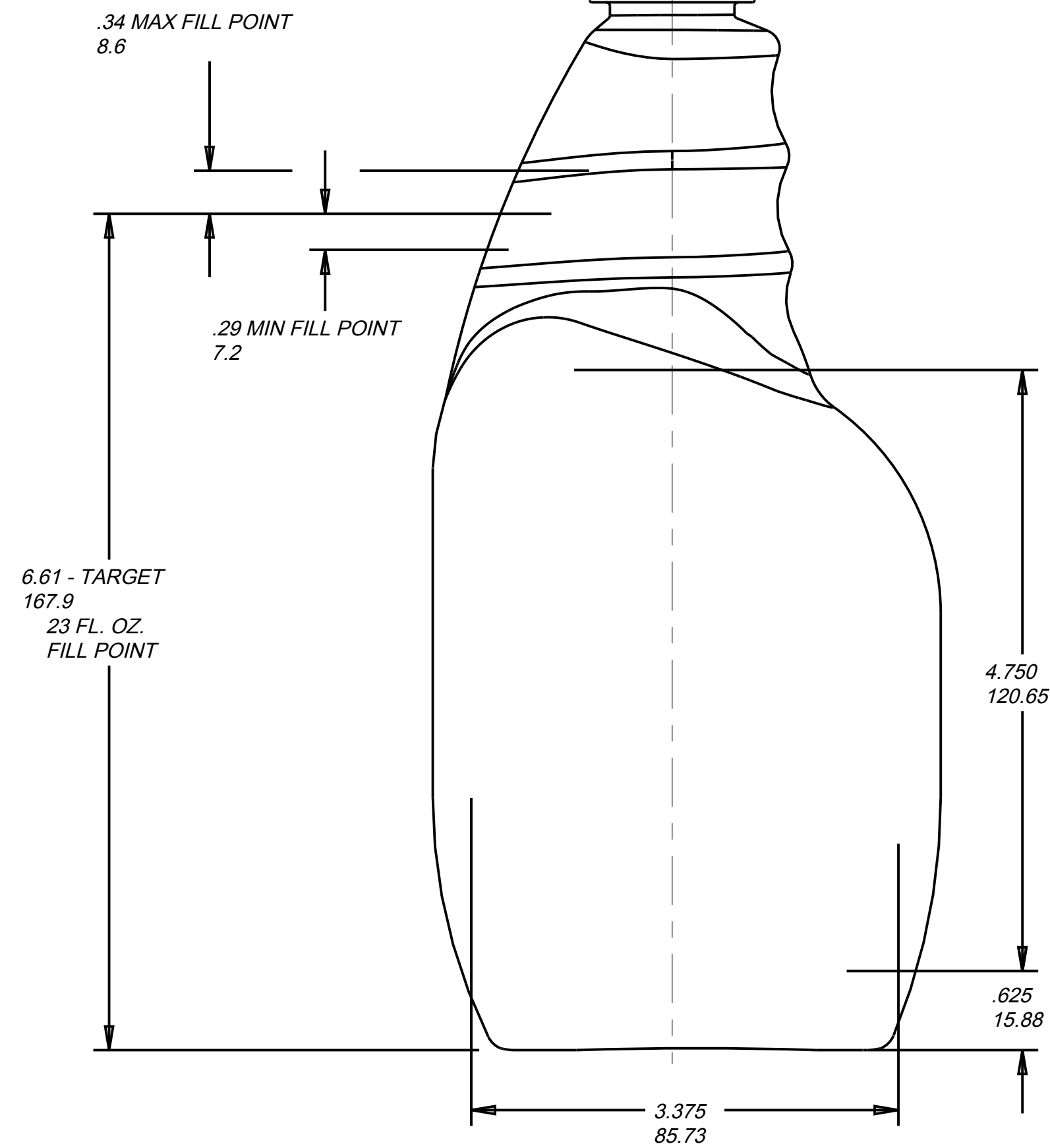
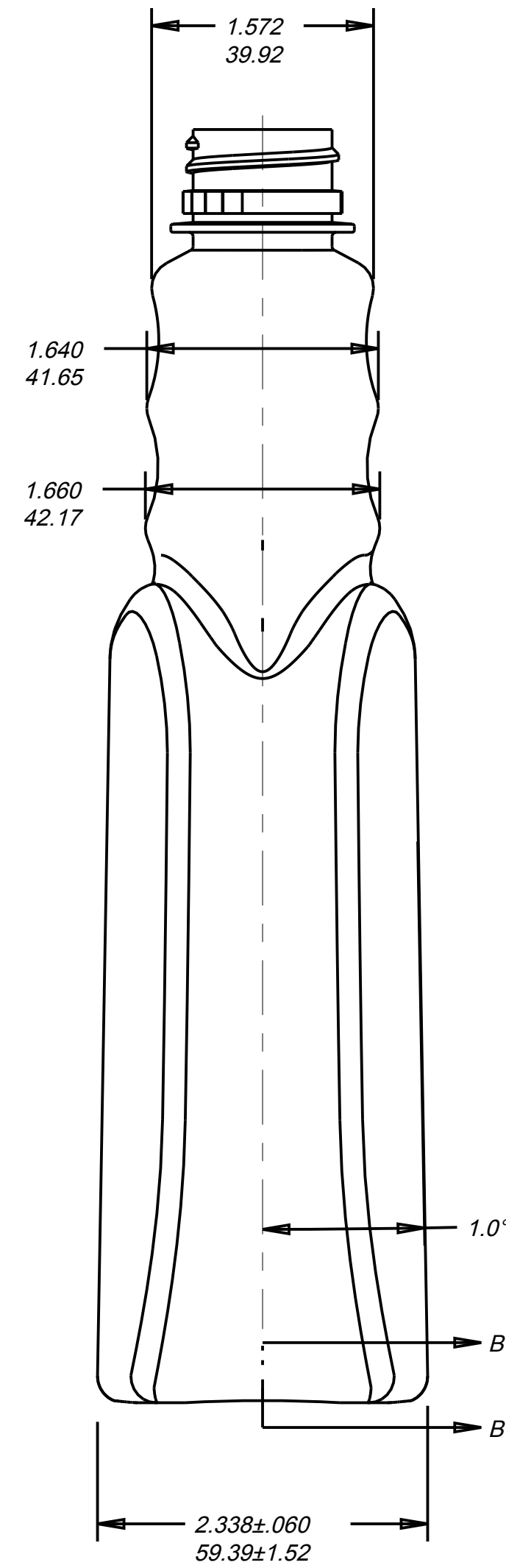
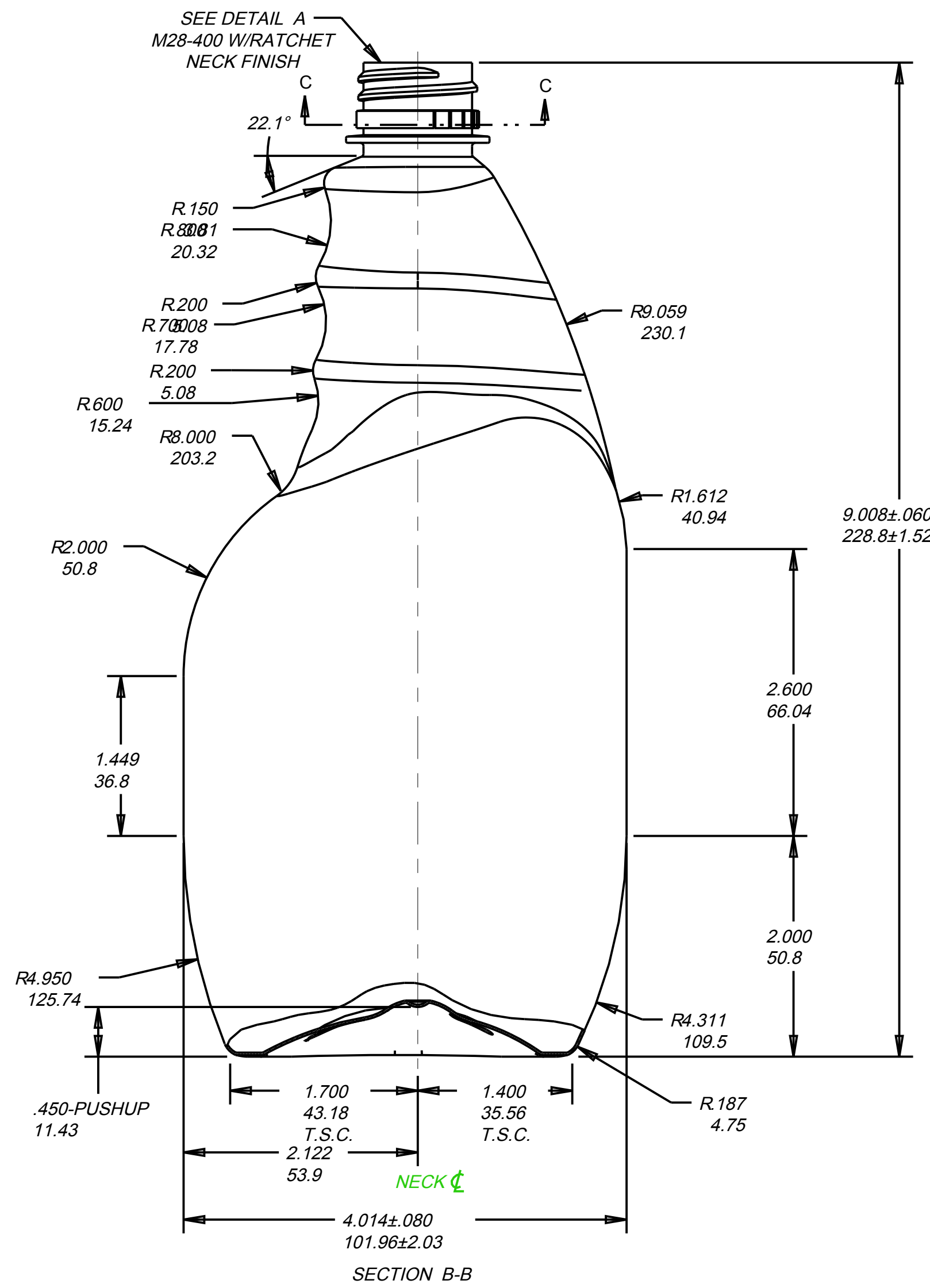


SUPERSEDES PPI DWG #107498 REV B



DECORATOR TO VERIFY
AVAILABLE LABEL AREA

DIMENSIONS MARKED WITH AN ASTERISK (*)
HAVE BEEN REVISED TO REFLECT PCAP DATA

| | | | | | |
|---------------------------------------|----------------|---|------------|-----------------|--------------------------------------|
| NPD # | MOLD #023-007A | DISCLAIMER: Alpha Packaging assumes no responsibility for form, fit and function of closures, accessories, and/or shelf life and compatability of intended contents with this bottle. | | | |
| Alpha Packaging, Inc. | Color | Min. Thk | Weight | Overflow Volume | Revisions |
| All measurements are in inches, [mm] | | .008 | 43.0 ± 2 g | 739.2 ± 13 cc | |
| Tolerance: Where not shown | NECK FINISH | M28-400 WRATCHET | | | |
| Decimal ± 0.05 [1.27] Angular ± 1° | MATERIAL: | PET | | | |
| | | | | | 23 OZ. TREMONT SPRAYER |
| | | | | | Approved By: _____ Drawing NO: _____ |
| | | | | | P0680TSXB028T |



Scale: 1.000
Drawn By: RAB
Date: 18-Apr-13
DwgRev