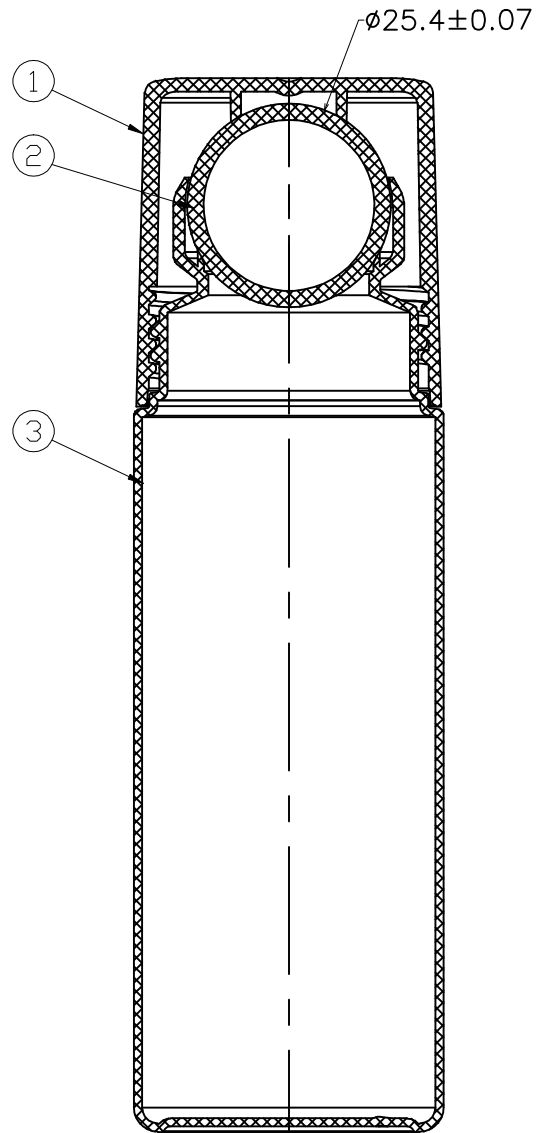
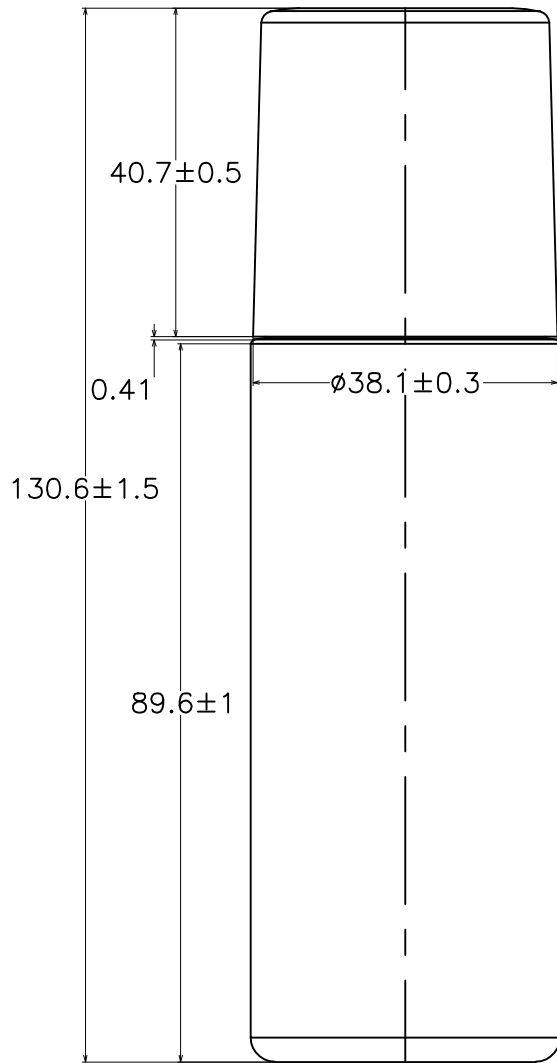
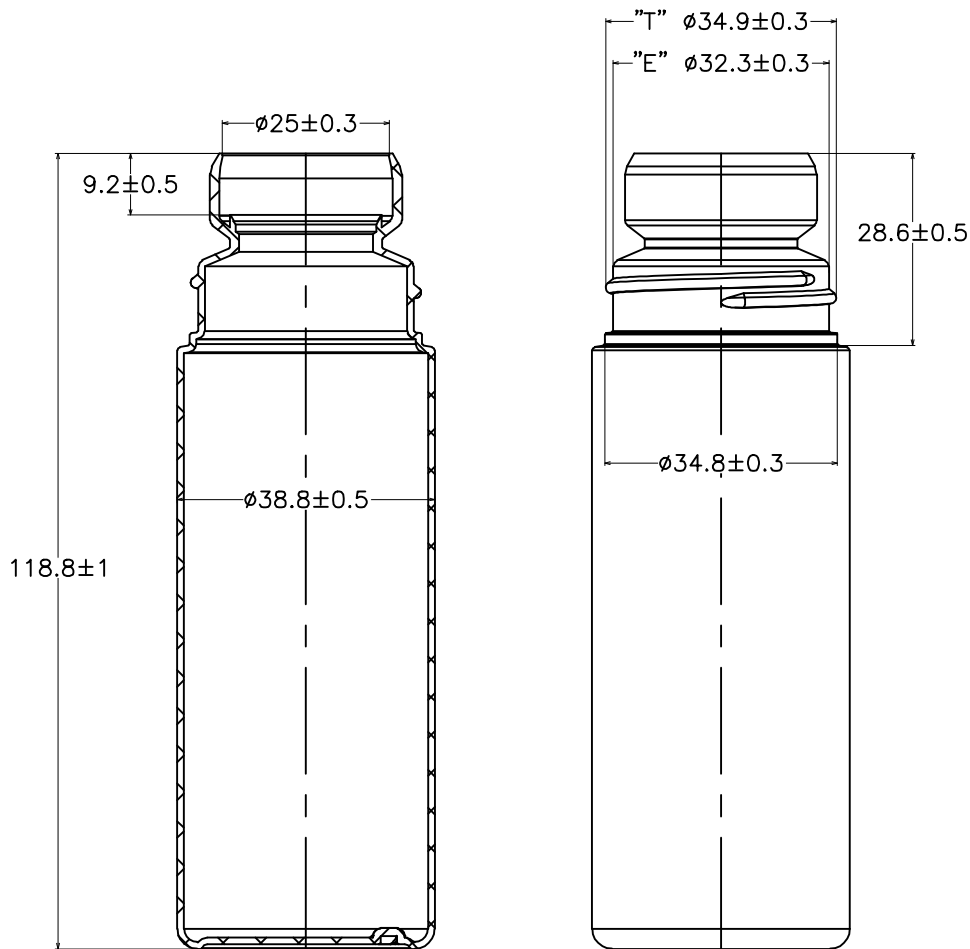
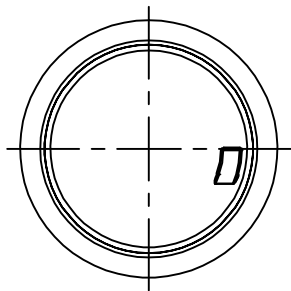


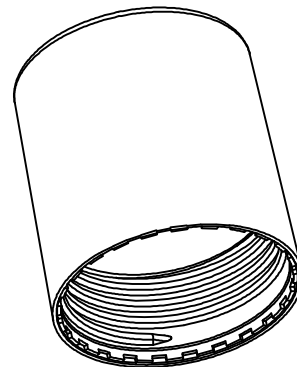
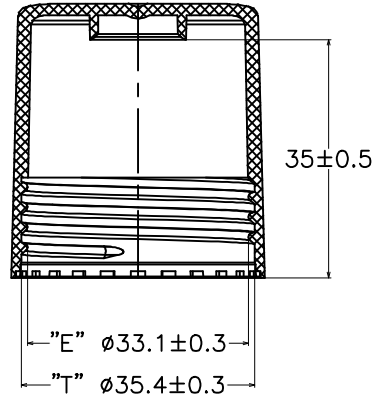
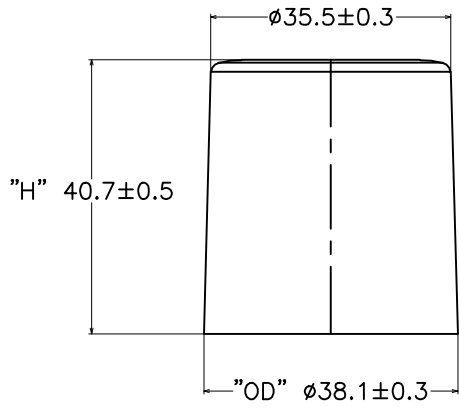
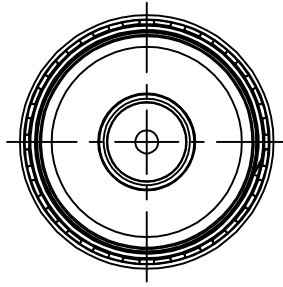
NO	Name	material
1	CAP	PP
2	BALL	PP
3	BOTTLE	HDPE



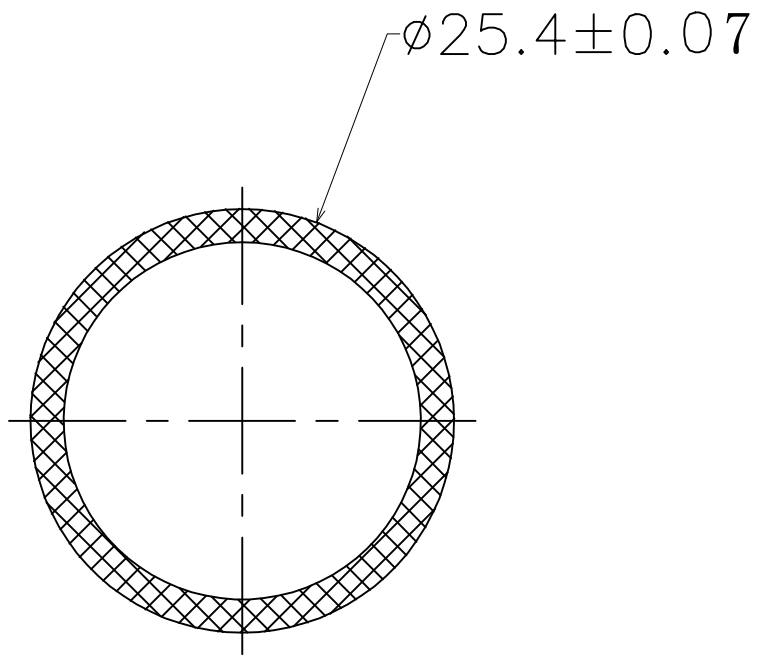
					Part Number:					
					RBSHD090W-M					
Mark	Time	Revised Name	Signature	Date	Version	V1.0	Sheet	A4		
Design		Date	2018/04/26		Materials	HDPE/PP	Rate	1:1	Unit	mm
Check		Date			Weight	/	Third Angle Projection			
Confirm		Date								
Skill		Date			Total	Page				

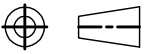


					Part Number:				
					RBSHD090W-M				
Mark	Time	Revised Name	Signature	Date	Version	V1.0	Sheet	A4	
Design		Date	2018/04/26	Materials	HDPE	Rate	1:1	Unit	mm
Check		Date		Weight	/	Third Angle Projection			
Confirm		Date		Total Page No Page					
Skill		Date							



					Part Number:					
					RBSHD090W-M					
Mark	Time	Revised Name	Signature	Date			Version	V1.0	Sheet	A4
Design				2018/04/26	Materials	PP	Rate	1:1	Unit	mm
Check					Weight	/	Third Angle Projection			
Confirm					Total Page No Page					
Skill										



					Part Number:					
					RBSHD090W-M					
							Version	V1.0	Sheet	A4
Mark	Time	Revised Name	Signature	Date	Materials	PP	Rate	1:1	Unit	mm
Design				2018/04/26	Weight	/	Third Angle Projection 			
Check										
Confirm										
Skill					Total	Page	No	Page		