

PERFORMANCE[®] PET 1708CC(A)

Sales Description, Documents

PERFORMANCE[®] PET 1708CC(A) resin is a food grade PET copolymer that is used for various types of custom containers, including beverage and juice containers. It offers exceptional clarity and color. The low acetaldehyde content in the resin helps eliminate any impact on aroma and flavor.

PERFORMANCE[®] PET 1708CC(A) resin is considered safe for food packaging applications based upon compliance with FDA Regulation 21 CFR Section 177.1630 specifications.

WARRANTY

AlphaPet Inc. warrants that its products will comply with the specifications and related regulatory compliance detailed in its publications. No other warranty, either expressed or implied regarding the suitability of the product for any particular purpose is made. The Buyers are expected to make their own determination about the safety, health, environmental protection and suitability of use for their intended purpose. No warranty is made of the merchantability or fitness of any product, and nothing herein waives any of the Seller's conditions of sale.

ALPHAPET INC.

(A subsidiary of Indorama Ventures Public Company Limited)
1301, Finley Island Road, Decatur, Alabama, AL35601, USA
Tel. (256) 308 1180 Fax. (256) 341 5926
www.indoramaventures.com

PERFORMANCE® PET 1708CC(A)

Sales Specification, Documents

Polyethylene Terephthalate (PET) Resin

Property	Value	AlphaPet Method
Intrinsic Viscosity (dl/g)	0.80 ± 0.02	QCL-03-0015
Color, CIE L* b*	≥ 78.0 -1.5 ± 2.5	QCL-03-0009
Acetaldehyde (ppm)	≤ 2.0	QCL-03-0001
Bulk Density (lbs/ft ³)	53 ± 2.0	QCL-03-0004
Dust (ppm)* as packed	≤ 300	QCL-03-0014
Moisture (wt. %)* as packed	≤ 0.25	QCL-03-0011
Contaminants/Black Specs	None	QCL-03-0028

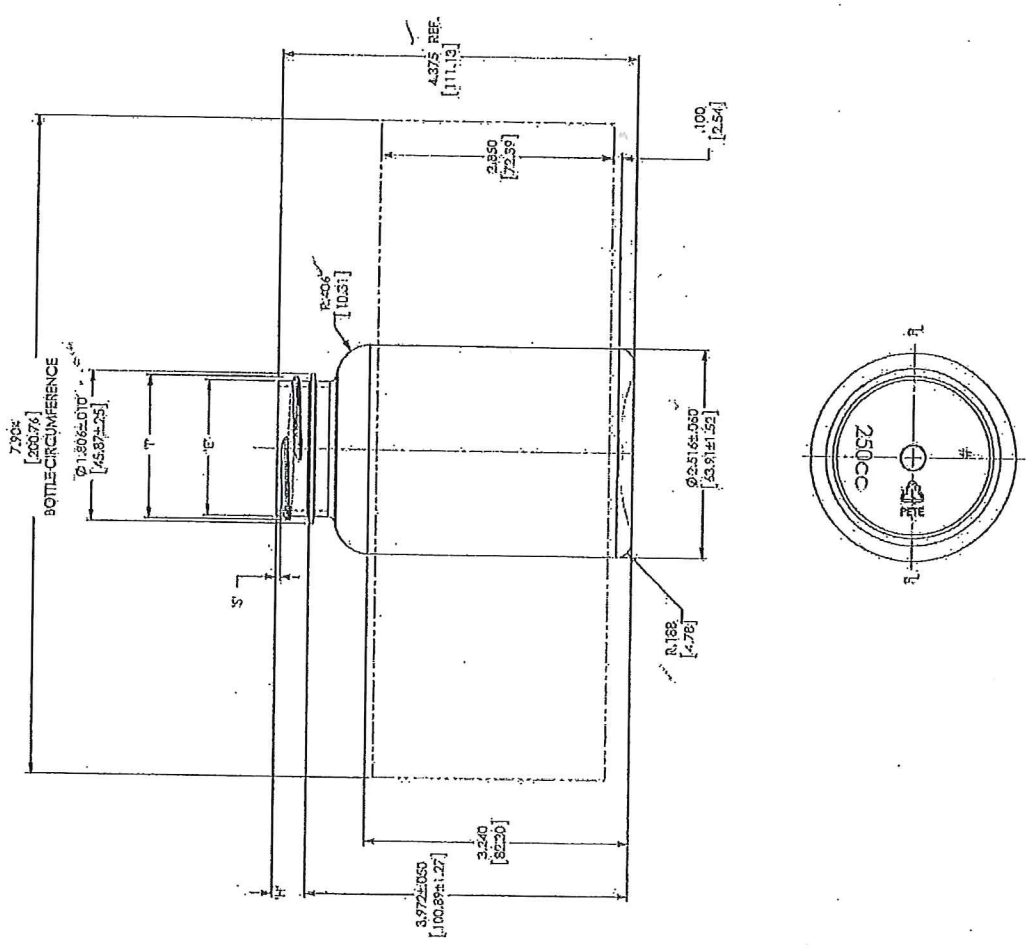
Notes:

Please note that PET is hygroscopic and the moisture content can go up from the reported value during storage and transit. Also please note that the dust value is as packed.

ALPHAPET INC.

(A subsidiary of Indorama Ventures Public Company Limited)
 1301, Finley Island Road, Decatur, Alabama, AL35601, USA
 Tel. (256) 308 1180 Fax. (256) 341 5926
www.indoramaventures.com

Approved By: M. N. Kelly
 Date: 7.22.13



This drawing subject to standard industry tolerances
 S.P.

IC Id.	O/F WAS 250ml ±5	Date	JULY 19/13
TE Id.	GRAM WT. WAS 25 ±1.0	Date	JULY 19/13
TA Id.	LOGO REMOVED FROM BASE	Date	JULY 19/13
No. Rev. By.	Description	Date	
Neck Finish:	M45-SP-400	Gram. Wt.:	27 ±1.0
T	TE	HT	TL
1.725 ±0.12	1.4375 ±0.12	3.463 ±0.13	2.646 ±0.15
4.031 ±0.55	1.173 ±0.35	10.224 ±0.38	1.17 ±0.08
HELIX ANGLE: 1.49°		TP.L: 6	CUTT. DIA.: 500 (12.70)
Capacity to fill level before decorating			
Capacity to fill level after decorating			
Overflow capacity before decorating 250ml ±5			
Overflow capacity after decorating			

Axium
 plastics

379
 Desc. 250CC PACKER
 Drawn By: id.
 Scale: 1:1
 Date: 26/03/13
 Bottle: M45-
 Part: PEIE
 Drawing No. AX-1161-1
 Mould No.
 Cast Name:

No representation & warranties are made about the performance of product.
 This bottle is designed and produced to Per Your Applications.