



ZAO «Alco-Naphtha»

Baltiyskoye Shosse. 123, Kaliningrad, 236013, Russia
phone: +7(4012)563-692, fax: +7(4012) 563-711
e-mail: office@ekopet.ru, site: www.ekopet.ru

Polyethylenetererphthalate (PET)

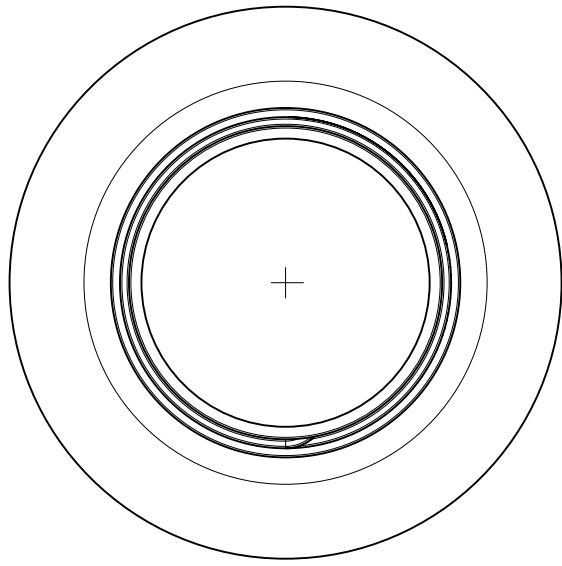
EKÖPET 80

Index name	Units	Specification	Test methods (according technical conditions TY 2226-001-13649021-2011)
Intrinsic viscosity	dl/g	0,80 ± 0,02	IQ-10682 Ph/DCB (50:50) Recalculation Ph/TCET (60:40)
Melting point	°C	246 ± 2	IQ-10704 (DSC)
Acetaldehyde content	ppm	1,0 Max	IQ-10698
Color number (CIE-LAB) L* b*		82,0 Min - 1 ± 2	IQ-10688
Moisture content	weight %	0,2 Max	IQ-10683
Dust content	ppm	100 Max	IQ-10702
Pellets weight	g/100 pcs	1,6 ± 0,2	IQ-10692

Remark: EKÖPET 80 BB – material is packed in **big-bag**, weight net 1050±5 kg.

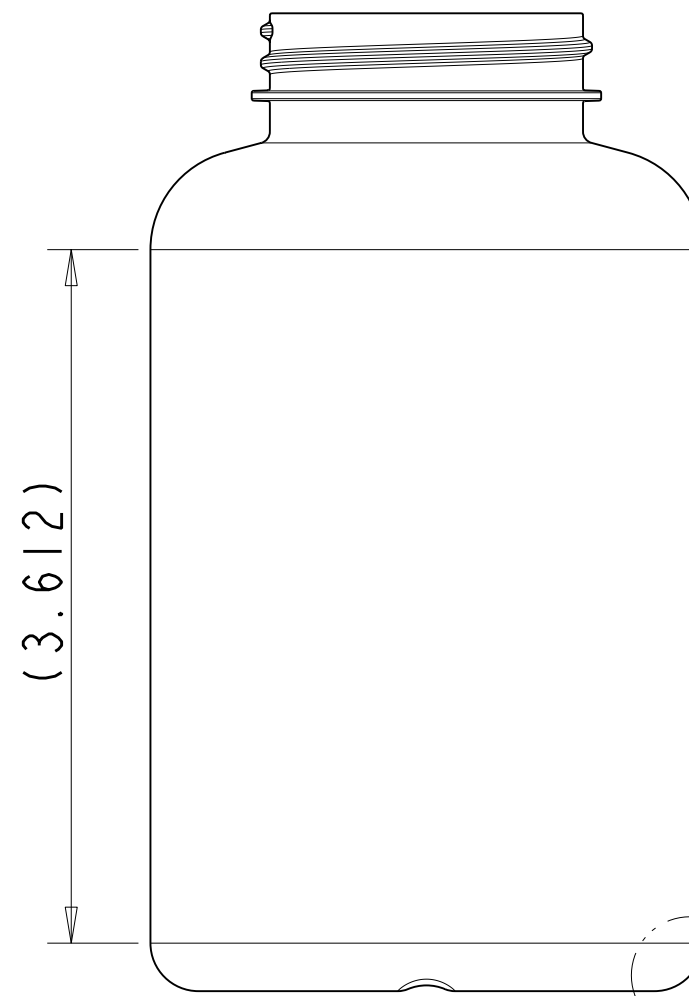
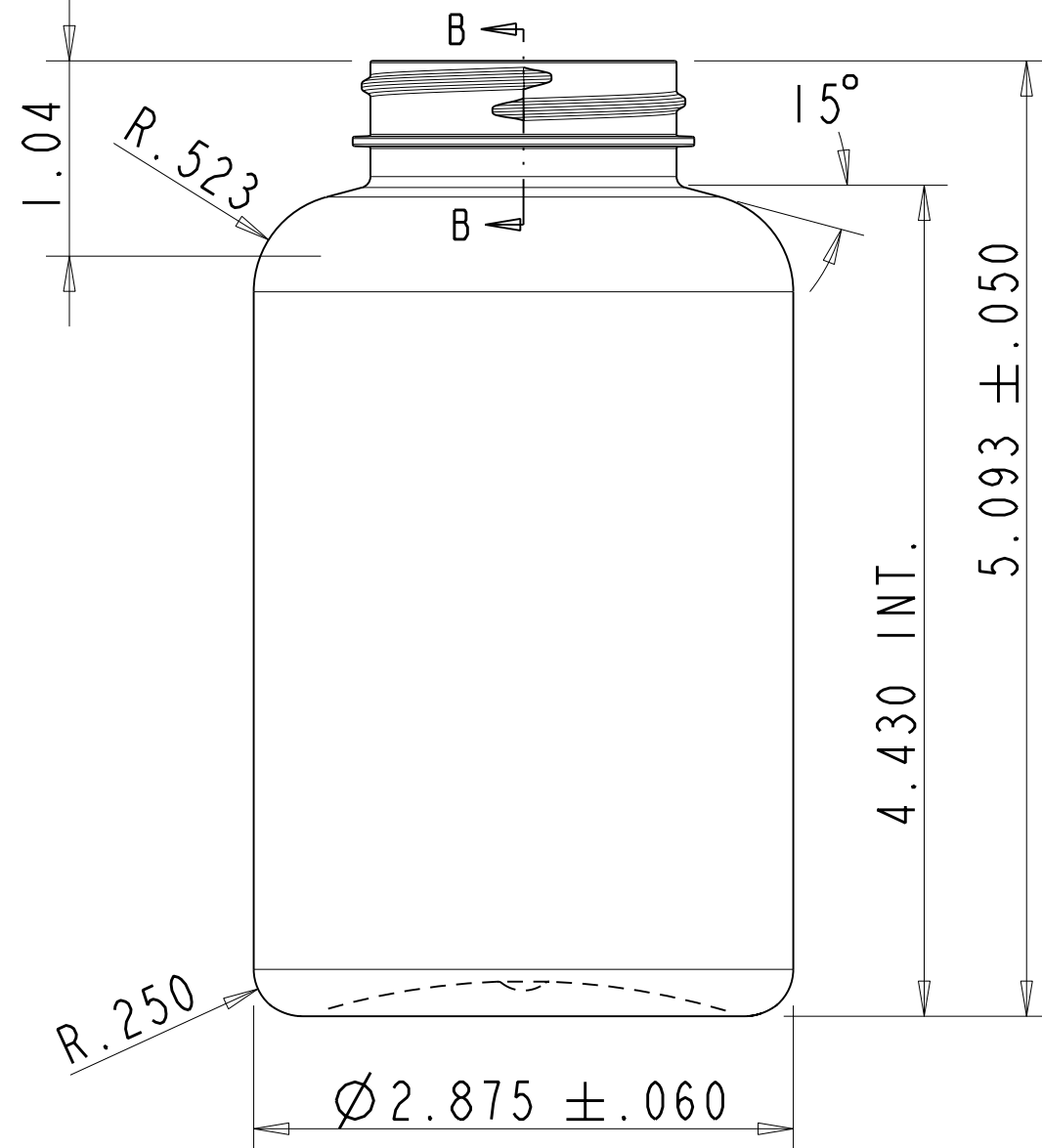
Upon agreement with the Buyer EKÖPET 80 to be supplied with other type of packaging to ensure the safety of the quality and quantity of PET resin during transportation and storage.

REV	DATE	BY	REVISION
A	102715	ES	REDRAWN FROM DWG. 82934RD0PD1.
B	012216	ES	ADDED 'I' DIM.
C	081518	ES	ADDED MIN. WALL LOCATION & NOTE 5.

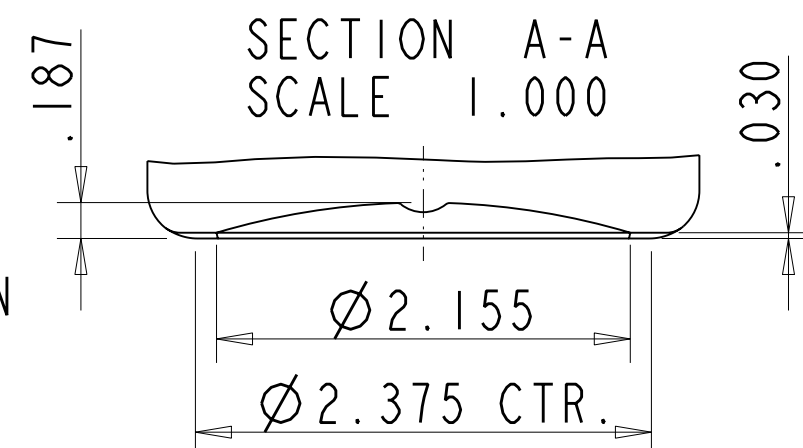
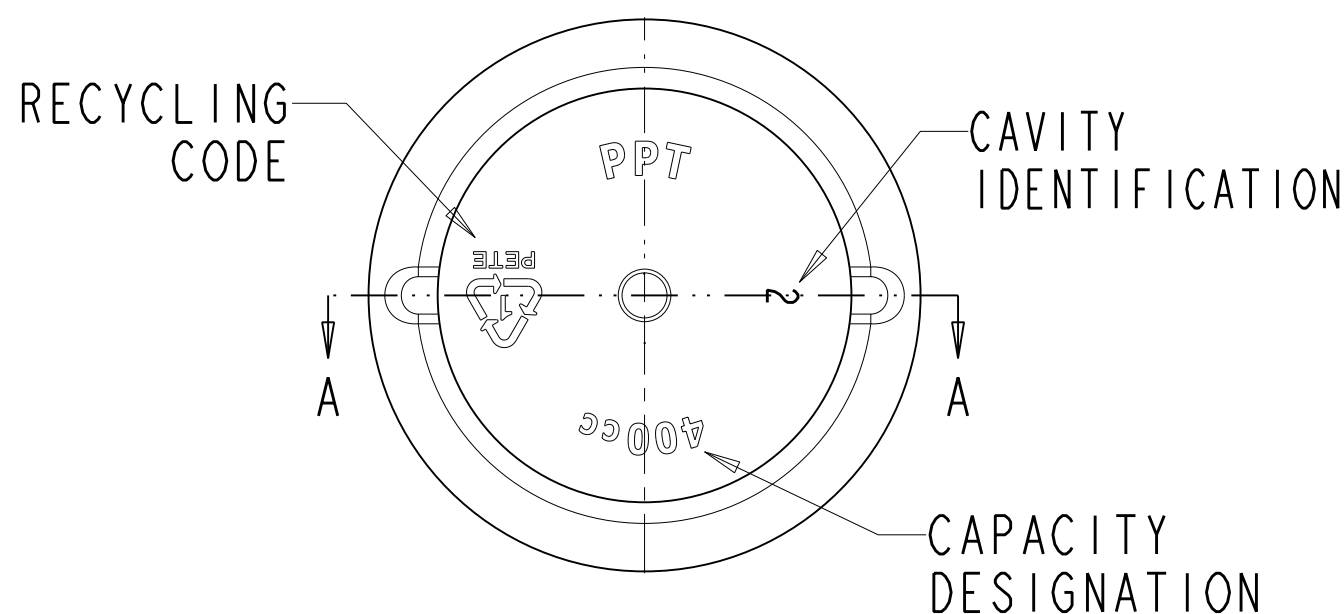
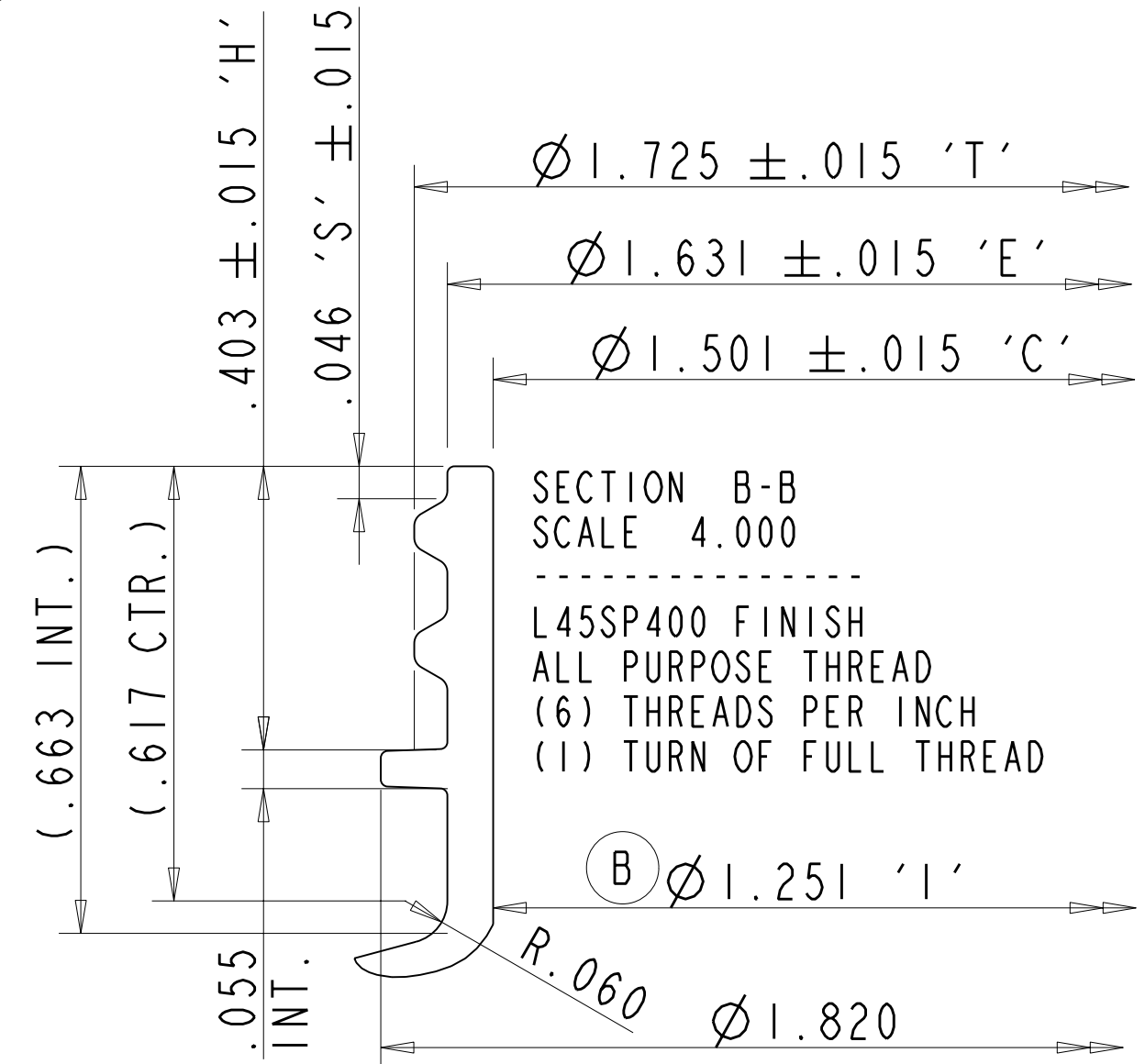


SCALE 0.750

APPROX. 400 ml
FILL LEVEL



Ø .012"
MIN. WALL



NOTES:

- 1 - MOLD NO. - 400121
- 2 - MAX. VARIATION IN AVERAGE DIAMETER BETWEEN TOP AND BOTTOM NOT TO EXCEED .010
- 3 - ALL DIMENSIONS APPLY AS MOLDED
- 4 - MAXIMUM OUT OF ROUNDNESS ON BODY OF CONTAINER NOT TO EXCEED .015.
- 5 - .012" MIN. WALL THICKNESS.

RESTRICTED, CONFIDENTIAL DOCUMENT

THIS DOCUMENT AND THE INFORMATION THEREON IS THE SOLE AND EXCLUSIVE PROPERTY OF PERFORMANCE PLASTIC TECHNOLOGIES AND/OR ITS DESIGNATED DISTRIBUTOR ABOVE. IT IS BEING ENTRUSTED TO RECIPIENT FOR A SPECIFIC LIMITED PURPOSE AND MAY BE USED ONLY FOR SUCH PURPOSE. BY ACCEPTING THIS DOCUMENT, THE RECIPIENT AGREES THAT HE WILL ENSURE THAT THE DOCUMENT AND ALL INFORMATION THEREON: (1) WILL BE MAINTAINED IN STRICTEST CONFIDENCE; (2) WILL NOT BE REPRODUCED, IN WHOLE OR IN PART, IN ANY MANNER WHATSOEVER WITHOUT THE EXPRESS WRITTEN APPROVAL OF PPT; (3) WILL NOT BE DISCLOSED DIRECTLY OR INDIRECTLY, IN ANY MANNER OR FORM, TO ANY THIRD PARTY WITHOUT THE EXPRESS WRITTEN APPROVAL OF PPT AND; (4) WILL BE PROMPTLY AND VOLUNTARILY RETURNED, WITH ANY AND ALL COPIES, TO PPT WHEN IT HAS SERVED THE PURPOSE INTENDED BY PPT, OR AT THE REQUEST OF PPT.



400 cc CT ROUND WIDE MOUTH PACKER
L45SP400 FINISH

49.29 SQUARE INCHES	12.64 SQUARE INCHES	38 ± 2	PET	447 ± 11 cc (15.12 ± .37 fl oz)
SURFACE AREA BELOW BASE OF NECK	AREA AT PART LINE BELOW BASE OF NECK	GRAMS	MAT'L.	OVERFLOW CAPACITY

FILE NAME: XXXX_400cc-STR-SIDE (15-087-01-C)	SIZE C	DRAWN BY: ES	DWG NO. 3202-0203-C
SCALE: 1,4:1	DATE: 10-07-2015	SHEET	1 OF 1