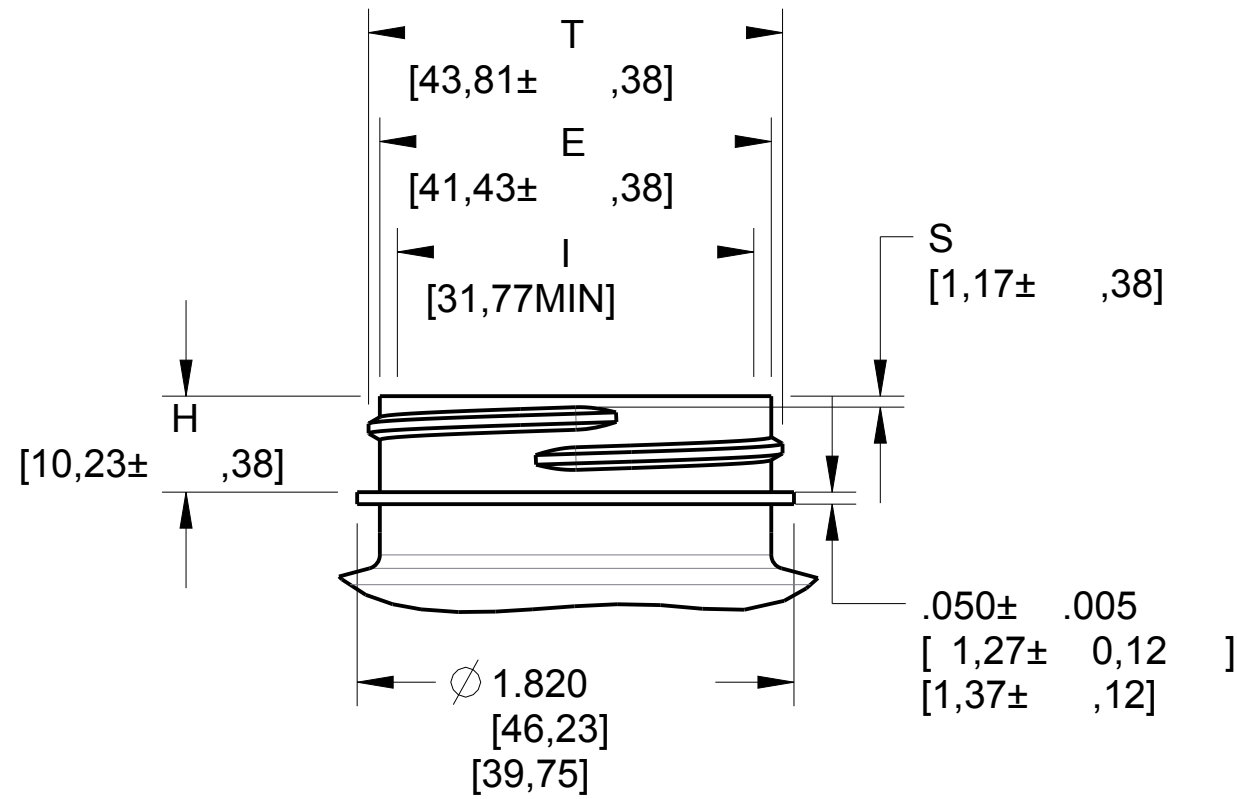
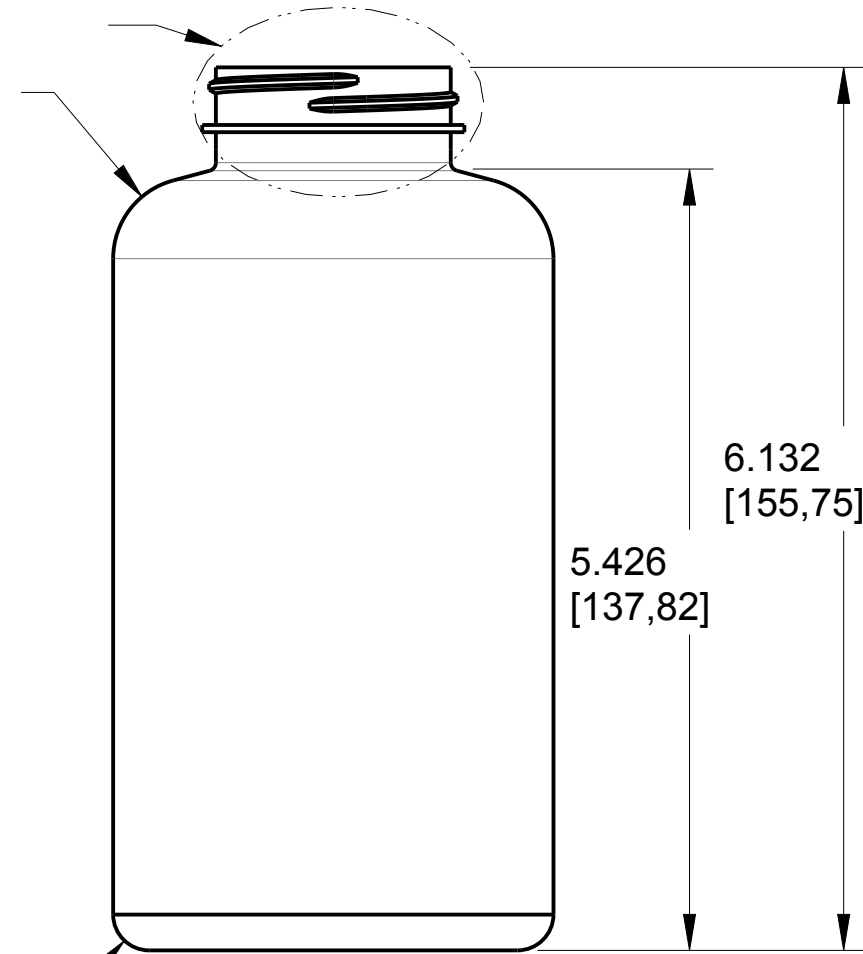
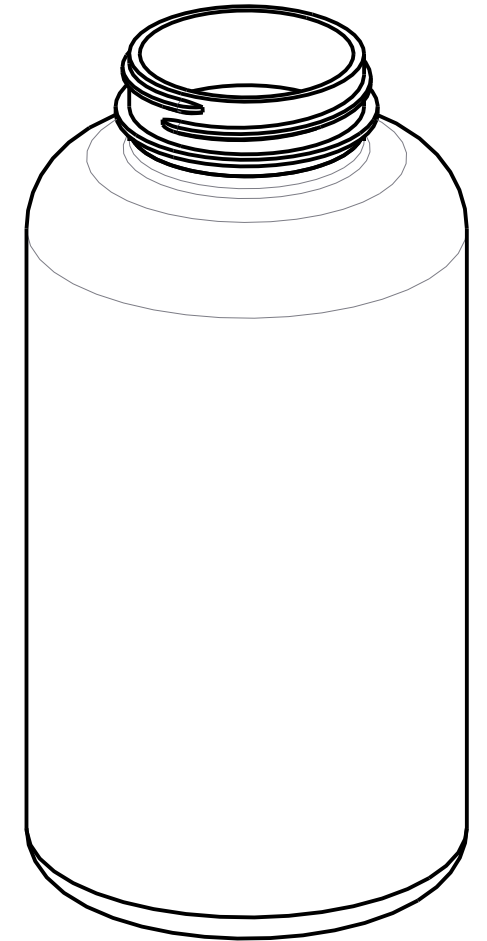


SEE DETAIL A

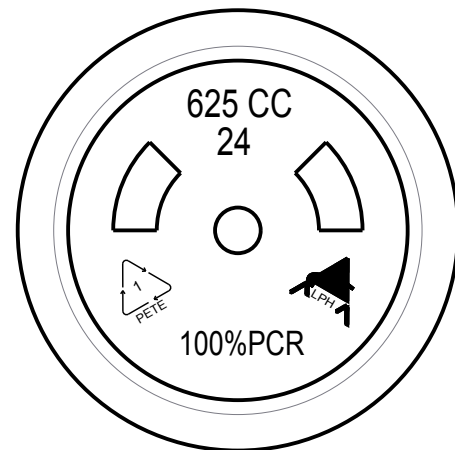
R.562
[14,27]



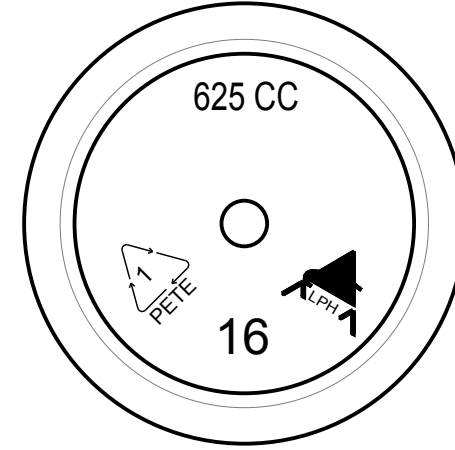
DETAIL A
SCALE 5/4



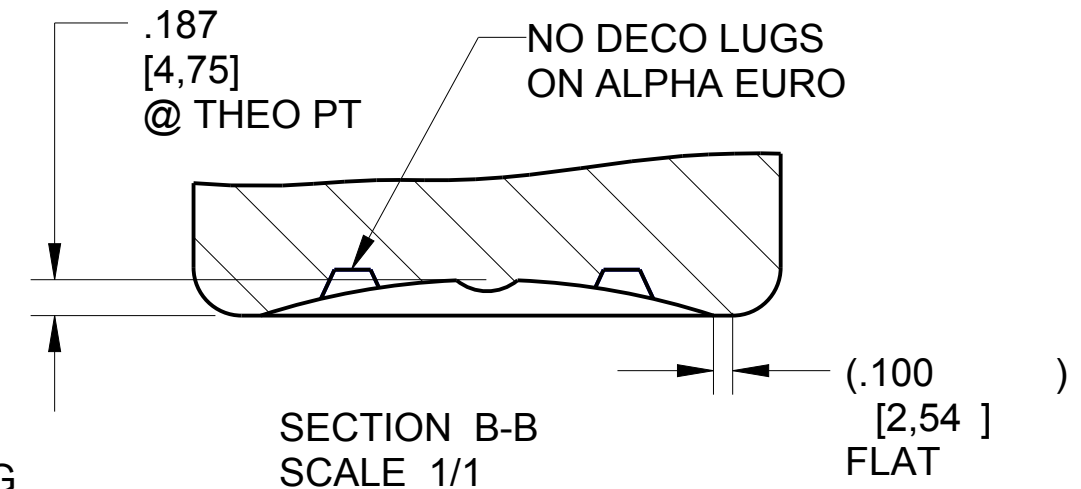
R.250
[6,35]



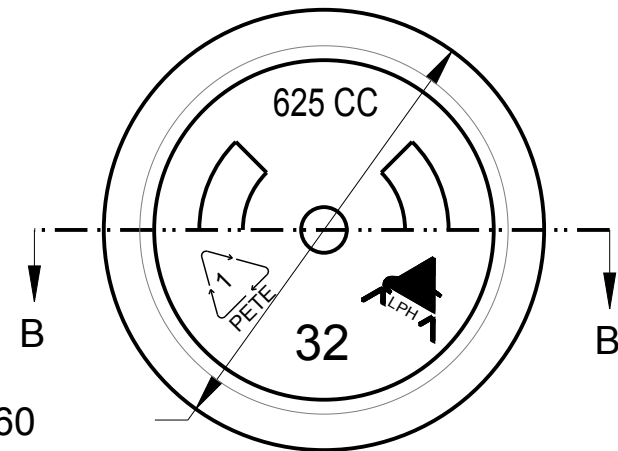
ALT BOTTOM PLUG
CONFIG




ALT BOTTOM PLUG CONFIG
ALPHA EURO



SECTION B-B
SCALE 1/1



Ø 3.058 ± .060
[77,67 ± 1,52]

Neck Finish: L45SP400		DISCLAIMER: Alpha Packaging assumes no responsibility for form, fit and function of closures, accessories, and/or shelf life and compatability of intended contents with this bottle.				
© Alpha Packaging, Inc.	Min Thk	Color	Weight	Std. Pack	Revisions	
All measurements are in inches, [Metric]	.012[.30]	All Colors	51.5 Gms ± 3	140, Stack	A	See ECF A.06/03/04.sct
					B	Stack was 119.5/2/06.sct
					C	Add Metric.5/13/10.sct
					D	Add Alt Config.11/5/10.sct
					E	Weight Tol updated. 01-09-14 RAB
Neck Dimensions:		Tolerance:		Where not shown		 Packaging, Inc. (314) 427-4300--(800) 421-4772
T = 1.725 ± .015	E = 1.631 ± .015	Decimal ± 0.05 [1,27]		Angular ± 1°		
H = .403 ± .015	I = 1.251 MIN	Material:		PET		Scale: 3/4
S = .046 ± .015	Overflow Capacity: 618 ml ± 13	Approved By:		SJ		Drawn By: SCT
		Drawing NO:		625PS1XX45L400		Date: 08-21-01
						DwgRev: E