



# FPT300F

## Homopolymer Polypropylene

- Good Mold Release, Excellent Part Finish (Low Bloom)
- Suggested Uses Include Housewares, Caps and Closures, Mugs / Cups, Thin-Walled Containers

Property	Units	Typical Value	Test Method
Nominal Melt Flow Rate (230°C/2.16kg)	g/10 min	30	ASTM D1238
Tensile Strength at Yield (2 in/min, 50 mm/min)	psi MPa	4,800 33	ASTM D638
Elongation at Yield (2 in/min, 50 mm/min)	%	10	ASTM D638
Flexural Modulus (0.05 in/min, 1.3 mm/min, 1% secant)	psi MPa	200,000 1,379	ASTM D790A
Notched Izod Impact Strength at 23°C	ft-lbs/in J/m	0.7 37	ASTM D256A
Rockwell Hardness	R	104	ASTM D785


Information contained herein is considered accurate to our best knowledge. It is offered for your consideration and investigation, and is not to be construed as a representation or warranty, expressed or implied, for which Braskem assumes legal responsibility. Our warranties are limited to those expressly stated in formal contracts or in conditions of sale on our invoices and order acceptances. Conditions and methods of use vary and are beyond the control of Braskem. Braskem, therefore, disclaims any liability incurred as a result of the use of its products in accordance with the data contained herein. No information herein shall be construed as an offer of indemnity for infringement or as a recommendation to use these products in such a manner as to infringe any patent, domestic or foreign.

For cautions and other information relating to handling of  
and exposure to this product, please see material safety  
data sheet code number C4001 published by Braskem.

550 Technology Drive  
Pittsburgh, PA 15219  
1-800-223-8871

Revision Date: Monday,  
March 23, 2009

[www.braskem.com](http://www.braskem.com)

	<b>Raw Material Product Data Sheet</b>	
	<b>Product Name:</b> MRPWH01	<b>Revision #:</b> A
	<b>Revision Date</b>	<b>03/07/2019</b>
	<b>Effective Date</b>	<b>07/01/2019</b>

**Product Name:**

MRPWH01

**Product Description:**

FDA Compliant White colorant, intended to be used with injection-molded plastic resin

**Product Data:**

Additives None

<u>Typical Properties</u>	<u>Typical Value</u>
Delta E Tolerance	Less than 2.00
Visual Evaluation	Visual match to approved color standard

**FDA Compliance/Status**

FDA, Title 21 CFR Food & Drug Contact	<input checked="" type="checkbox"/> Compliant	<input type="checkbox"/> Not
---------------------------------------	---	------------------------------

This colorant formulation has been manufactured using FDA approved ingredients and, when used appropriately (with an FDA approved resin), will meet FDA contact applications regulated under the provisions of the Food, Drug, and Cosmetic Act (and subsequent amendments as outlined in Title 21 of the Code of Federal Regulation).

**Additional Compliance/Status (and amendments as of the date of this document)**

Proposition 65, Safe Drinking Water and Toxic Enforcement Act	<input checked="" type="checkbox"/> Compliant	<input type="checkbox"/> Not
CONEG, Model Toxics in Packaging Legislation	<input checked="" type="checkbox"/> Compliant	<input type="checkbox"/> Not
EU 2015/863, as regards the list of restricted substances, RoHS	<input checked="" type="checkbox"/> Compliant	<input type="checkbox"/> Not

For further regulatory information, please contact Mold Rite Plastic's customer service or sales department.

*This product data sheet addresses all colorants that meet the above requirements & specifications. Data was obtained from supplier product data sheets (where applicable). This data is intended to be used as a guide only. It is ultimately the customer's responsibility to determine the suitability of the material for their specific application, and to be responsible for assuring compliance with all applicable laws and regulations.*



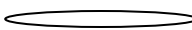
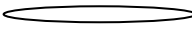
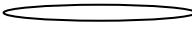
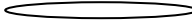
## Product Data Sheet

MRP Description: (A01)MRPLN04.020 FOAM R SFYP

# MRPLN04 – Universal Heat Seal Foam Liner

### Product Description

This product is a 1 piece universal heat seal consisting of foam backing, paper, aluminum foil and heat seal layer.. This specification, designated by Mold-Rite Plastics, covers all liners that meet the typical value data listed below;

-  Polystyrene Foam
-  Paper
-  Aluminum Foil
-  Heat Seal Coating

### Regulatory Compliance

FDA Title 21 CFR Section 177.1210 (Closure with Sealing Gaskets for Food Containers,  
 RoHS Compliant  
 CONEG/Heavy Metal Compliant  
 Proposition 65 Compliant

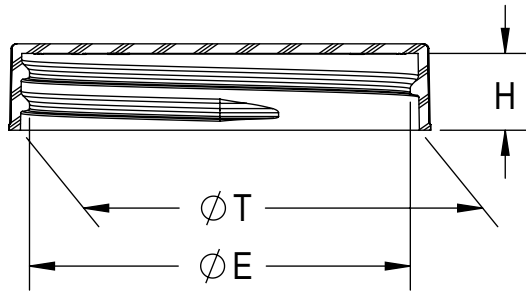
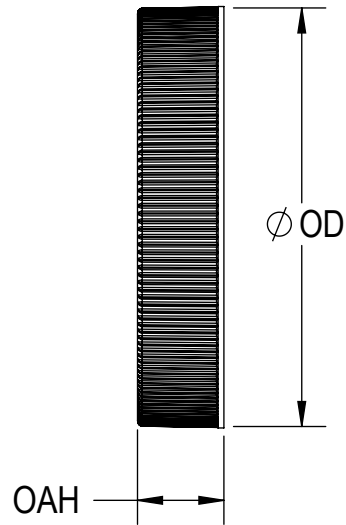
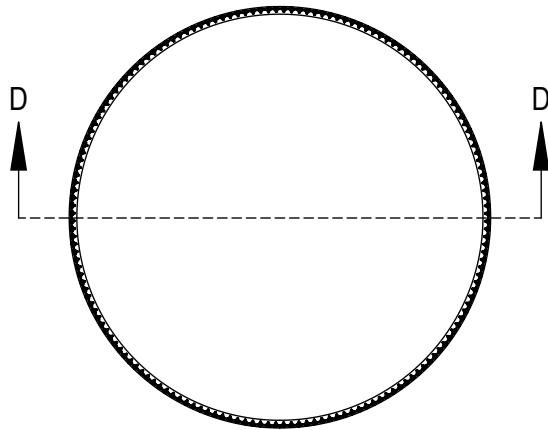
Typical Properties	Typical Value
Overall Thickness	.024 +/- 10%
Drug Master File	16574
Printed	R SFYP
Oxygen Transmission	Essentially Zero
Water Vapor Transmission	Essentially Zero

For further regulatory information, contact Mold-Rite Plastics customer service or sales department.

Notes: These are typical properties not to be construed as specifications. Mold-Rite Plastics reserves that right to include any other liner that meets that above data values and regulatory requirements.

This product data sheet covers multiple liners that meet the above typical data values and regulatory requirements. All listed liners have similar physical, chemical and processing properties. Listed known liners: HS035, HS 035N, HS205, FS5-8, HSS-5.6

All results were obtained from manufacturer product data sheets (where applicable). The data are intended as a general guide only and do not necessarily represent results that may be obtained elsewhere. The use of Mold-Rite Plastics products must be guided by the users own methods for selection of proper formulation. Mold-Rite Plastics disclaims any responsibility for misuse or miss application of its products. Mold-Rite Plastics liability and customer's exclusive remedy for any claims arising out of sales of its products are expressly limited at customer option for replacement not to exceed the purchase price plus transportation charges thereon in respect to any material which damage is claimed.



SECTION D-D

THREAD DETAIL INFORMATION  
6 THREADS PER INCH, 0.167 PITCH

REFERENCE	TOLERANCE	DIMENSION	UNITS
E	±0.015 [0.38]	1.984 [50.39]	in [mm]
T	±0.015 [0.38]	2.078 [52.78]	in [mm]
H	±0.010 [0.25]	0.400 [10.16]	in [mm]
OAH	±0.010 [0.25]	0.450 [11.43]	in [mm]
OD	±0.015 [0.38]	2.195 [55.75]	in [mm]
PART WEIGHT	± 0.80	4.50	g

STATIC TORQUE RECOMMENDATION  
**21-36 in-lbs**  
THIS REQUIREMENT MAY VARY DEPENDING UPON BOTTLE MATERIAL, NECK FINISH, AND CAPPING EQUIPMENT

DRAWING TYPE : **CUSTOMER**

REPLACES DRAWINGS: C-3012  
DIMENSIONS ENCLOSED IN ( ) INDICATE REFERENCE DIMENSIONS AND NO TOLERANCE LIMITS ARE ESTABLISHED

TOLERANCES UNLESS OTHERWISE SPECIFIED			
DIMENSION (inches)	TOLERANCE	DIMENSION (mm)	TOLERANCE
0-0.787	±0.006	0-20	±0.152
0.788-1.181	±0.008	21-30	±0.203
1.182-2.756	±0.012	31-70	±0.305
2.757-3.937	±0.016	71-100	±0.406
3.938-5.096	±0.020	101-150	±0.508
5.097-7.874	±0.024	151-200	±0.610
7.875-9.843	±0.032	201-250	±0.813

THE CLOSURE DIMENSIONS DEPICTED ARE THOSE WHICH HAVE GENERALLY BEEN FOUND TO BE FUNCTIONAL BASED ON INDUSTRY EXPERIENCE BECAUSE OF VARIABILITY IN GLASS AND PLASTIC CONTAINER FINISHES. EACH CLOSURE/FINISH SYSTEM SHOULD BE INDIVIDUALLY EVALUATED AND TESTED TO ENSURE IT MEETS APPLICABLE PERFORMANCE CRITERIA. SEE QUALITY ASSURANCE SPECIFICATIONS FOR ADDITIONAL INFORMATION.

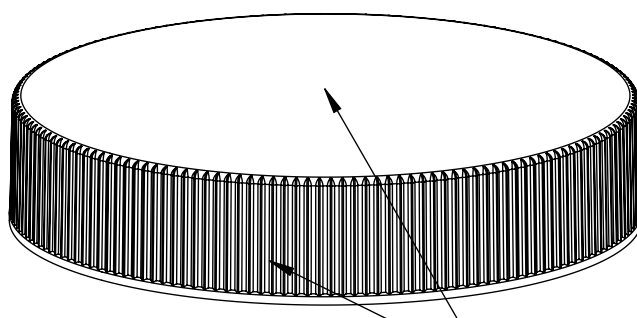
MOLD-RITE, WEATHERCHEM AND STULL TECHNOLOGIES RESERVES THE RIGHT TO REVISE ANY OR ALL SPECIFICATIONS AND REQUIREMENTS.

ANGULAR TOLERANCE ± 2°  
PROPRIETARY AND CONFIDENTIAL  
THIS DRAWING IS PROTECTED BY COPYRIGHT AND CONTAINS INFORMATION PROPRIETARY TO MOLD-RITE, WEATHERCHEM AND STULL TECHNOLOGIES. ANY REPRODUCTION, DISCLOSURE, OR USE OF ITS CONTENTS OR ANY PART THEREOF IS EXPRESSLY PROHIBITED EXCEPT AS MOLD-RITE, WEATHERCHEM AND STULL TECHNOLOGIES OTHERWISE MAY AGREE IN WRITING

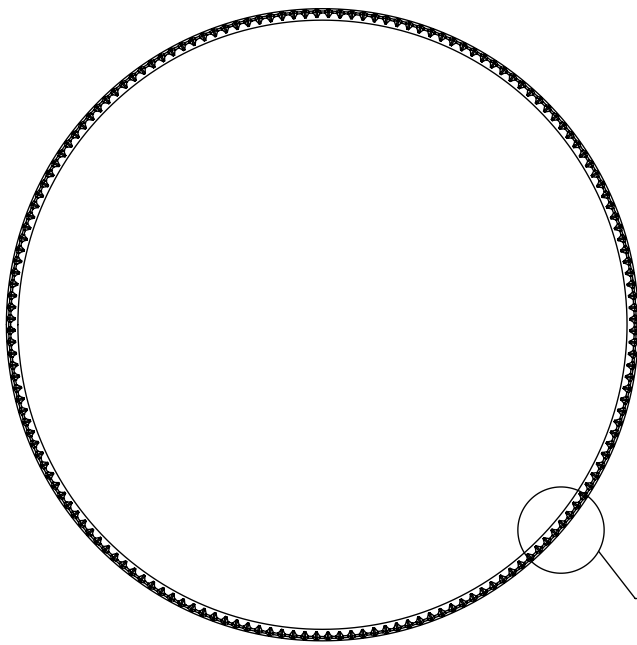


THIRD ANGLE PROJECTION	DISTRIBUTION CODE	DRAWING NAME			
		53-400 CT RS (RIBBED SIDE, SMOOTH TOP)			
SOLIDWORKS	D	DRAWING NUMBER			
		CQA - 10510			
DRAWN BY.	DAS	03/01/2017	MATERIAL		
ENG APPR.	JDM	4/4/2018	POLYPROPYLENE		
QA APPR.	REL	05/02/2018	MODEL NUMBER: PM 10504 53-400 CT		
		SCALE	SHEET SIZE	SHEET	REV.NP
		1:1	8.5 X 11	1 of 3	00.AB

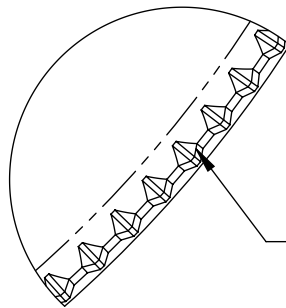
REVISIONS					
DATE	REV.	N/P	DESCRIPTION	ENG	DRW
3/1/2017	00	AA	UPDATED DRAWING FORMAT AND ASSIGNED NEW DRAWING NUMBER	JDM	DAS
8/16/2017	00	AB	ADDED GATE LOCATION TABLE. SPECIFICATIONS UPDATED BASED ON PRODUCTION CAPABILITY.	JDM	DAS



SEE TABLE FOR GATE LOCATION



RIBS



175 EQUALLY SPACED RIBS

DETAIL RIBS  
SCALE 6 : 1

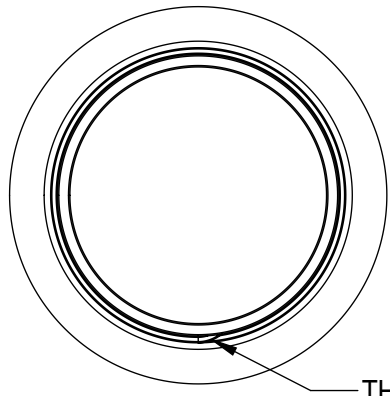
MOLD NUMBER	GATE LOCATION
53001	SIDE
53006	SIDE
53008	SIDE
53013	TOP

DRAWING TYPE : CUSTOMER			
REFERENCES: 53001, 53006, 53008, 53013		DIMENSIONS ENCLOSED IN ( ) INDICATE REFERENCE DIMENSIONS AND NO TOLERANCE LIMITS ARE ESTABLISHED	
TOLERANCES UNLESS OTHERWISE SPECIFIED			
DIMENSION (inches)	TOLERANCE	DIMENSION (mm)	TOLERANCE
0-0.787	±0.006	0-20	±0.152
0.788-1.181	±0.008	21-30	±0.203
1.182-2.756	±0.012	31-70	±0.305
2.757-3.937	±0.016	71-100	±0.406
3.938-5.096	±0.020	101-150	±0.508
5.097-7.874	±0.024	151-200	±0.610
7.875-9.843	±0.032	201-250	±0.813
ANGULAR TOLERANCE ± 2°			
PROPRIETARY AND CONFIDENTIAL			
THIS DRAWING IS PROTECTED BY COPYRIGHT AND CONTAINS INFORMATION PROPRIETARY TO MOLD-RITE, WEATHERCHEM AND STULL TECHNOLOGIES. ANY REPRODUCTION, DISCLOSURE, OR USE OF ITS CONTENTS OR ANY PART THEREOF IS EXPRESSLY PROHIBITED EXCEPT AS MOLD-RITE, WEATHERCHEM AND STULL TECHNOLOGIES OTHERWISE MAY AGREE IN WRITING			

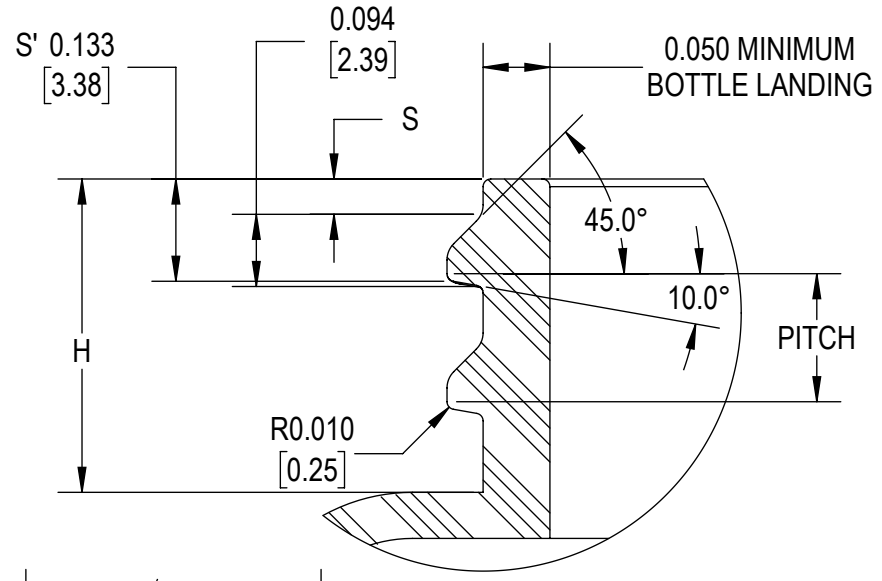
THE CLOSURE DIMENSIONS  
DEPICTED ARE THOSE WHICH HAVE GENERALLY BEEN  
FOUND TO BE FUNCTIONAL BASED ON INDUSTRY  
EXPERIENCE BECAUSE OF VARIABILITY IN GLASS AND  
PLASTIC CONTAINER FINISHES. EACH CLOSURE/FINISH  
SYSTEM SHOULD BE INDIVIDUALLY EVALUATED AND  
TESTED TO ENSURE IT MEETS APPLICABLE  
PERFORMANCE CRITERIA. SEE QUALITY ASSURANCE  
SPECIFICATIONS FOR ADDITIONAL INFORMATION.  
MOLD-RITE, WEATHERCHEM AND STULL TECHNOLOGIES  
RESERVES THE RIGHT TO REVISE ANY OR ALL  
SPECIFICATIONS AND REQUIREMENTS.



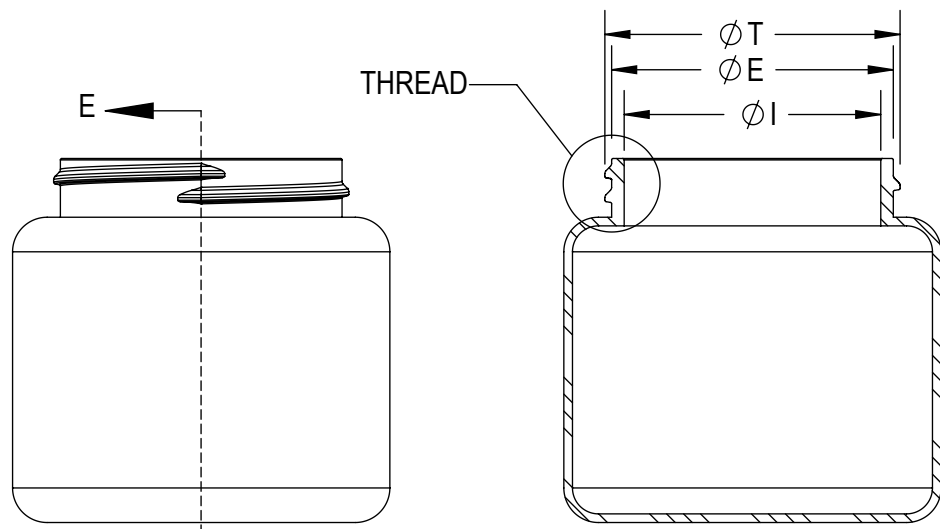
THIRD ANGLE PROJECTION		DISTRIBUTION CODE <b>D</b>		DRAWING NAME <b>53-400 CT RS (RIBBED SIDE, SMOOTH TOP)</b>			
DRAWN BY: DAS		03/01/2017		DRAWING NUMBER <b>CQA - 10510</b>			
ENG APPR: JDM		4/4/2018		MATERIAL <b>POLYPROPYLENE</b>			
QA APPR: REL		05/02/2018		MODEL NUMBER: <b>PM 10504 53-400 CT</b>			
		SCALE <b>3:2</b>		SHEET SIZE <b>8.5" X 11"</b>		SHEET <b>2 of 3</b>	REV.NP <b>00.AB</b>



THREAD START



DETAIL THREAD  
SCALE 4 : 1



SECTION E-E

REFERENCE	TOLERANCE	UNITS	DIMENSION
E	±0.017 [0.43]	in [mm]	1.956 [49.68]
T	±0.017 [0.43]	in [mm]	2.050 [52.07]
I	MIN	in [mm]	1.578 [40.08]
S	±0.015 [0.38]	in [mm]	0.046 [1.17]
H	MIN	in [mm]	0.425 [10.80]
PITCH		in [mm]	6
TPI			0.167

NOTE: THE NOMINAL ORIENTATION ILLUSTRATED IS BASED ON NOMINAL DIMENSIONS OF BOTH THE CLOSURE AND THE RECOMMENDED NECK FINISH. FOR EXACT ORIENTATION EACH BOTTLE SHOULD BE EVALUATED ON A CASE BY CASE BASIS.

THE CLOSURE DIMENSIONS DEPICTED ARE THOSE WHICH HAVE GENERALLY BEEN FOUND TO BE FUNCTIONAL BASED ON INDUSTRY EXPERIENCE BECAUSE OF VARIABILITY IN GLASS AND PLASTIC CONTAINER FINISHES, EACH CLOSURE/FINISH SYSTEM SHOULD BE INDIVIDUALLY EVALUATED AND TESTED TO ENSURE IT MEETS APPLICABLE PERFORMANCE CRITERIA. SEE QUALITY ASSURANCE SPECIFICATIONS FOR ADDITIONAL INFORMATION.

MOLD-RITE, WEATHERCHEM AND STULL TECHNOLOGIES RESERVES THE RIGHT TO REVISE ANY OR ALL SPECIFICATIONS AND REQUIREMENTS.

DRAWING TYPE : CUSTOMER

DIMENSIONS ENCLOSED IN ( ) INDICATE REFERENCE DIMENSIONS AND NO TOLERANCE LIMITS ARE ESTABLISHED

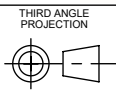
TOLERANCES UNLESS OTHERWISE SPECIFIED

DIMENSION (inches)	TOLERANCE	DIMENSION (mm)	TOLERANCE
0-0.787	±0.006	0-20	±0.152
0.788-1.181	±0.008	21-30	±0.203
1.182-2.756	±0.012	31-70	±0.305
2.757-3.937	±0.016	71-100	±0.406
3.938-5.096	±0.020	101-150	±0.508
5.097-7.874	±0.024	151-200	±0.610
7.875-9.843	±0.032	201-250	±0.813

ANGULAR TOLERANCE ± 2°

PROPRIETARY AND CONFIDENTIAL

THIS DRAWING IS PROTECTED BY COPYRIGHT AND CONTAINS INFORMATION PROPRIETARY TO MOLD-RITE, WEATHERCHEM AND STULL TECHNOLOGIES. ANY REPRODUCTION, DISCLOSURE, OR USE OF ITS CONTENTS OR ANY PART THEREOF IS EXPRESSLY PROHIBITED EXCEPT AS MOLD-RITE, WEATHERCHEM AND STULL TECHNOLOGIES OTHERWISE MAY AGREE IN WRITING



DISTRIBUTION CODE  
**D**

DRAWING NAME  
**53-400 CT  
RECOMMENDED NECK FINISH**

DRAWING NUMBER  
**CQA - 10510**

DRAWN BY: DAS 03/01/2017

MATERIAL

ENG APPR: JDM 4/4/2018

MODEL NUMBER:

QA APPR: REL 05/02/2018

SCALE	SHEET SIZE	SHEET	REV/N/P
3:4	8.5X11	3 of 3	00.AB