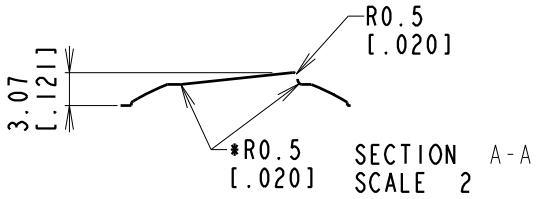
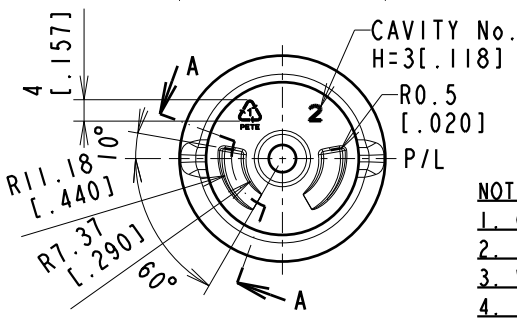


DATE OF ISSUE
 Jul.16.2014
 NISSEI ASB MACHINE CO.,LTD.

NECK DETAIL
 REF. NECK FINISH: SP410-M20
 SCALE: 5
 2 TURNS
 PITCH: 3.18[.125]
 CUTTER DIA: 9.52[.375]

THIS DOCUMENT IN DESIGN AND DETAIL IS THE PROPERTY OF NISSEI ASB MACHINE CO., LTD. AND IS NOT TO BE USED OR REPRODUCED BY UNAUTHORIZED PERSONS.



- NOTES
 1. OVERFLOW CAPACITY 126 ± 3.5 ml
 2. APPX. FILL POINT CAPACITY 118 ml
 3. WEIGHT 14 ± 0.8 g
 4. The dimension without tolerance to be based on "ASB TOLERANCES"
 5. * Marked dimensions are for manufacturing only actual bottle may not achieve this value.

UI	R3 (0.3)	U2	DD (ddR)	D	0
N	1.86 (14.12)	S	154.6 : 0.7	P	45.1

REV.	DATE	REVISIONS	BY
A3	CUSTOMER	POLY BLOW MOLDING	
MODEL	ASB-70DPH V4	Q'TY	10
NAME	4oz. BOTTLE	DWG NO.	36-A154-01D
SCALE	1/1(2/1,5/1)	MATERIAL	PET
REFERENCE NOTE	DR-N	CK'D	APPR.
	WF	SS	R.A.S.
		DATE	JUL.16.'14

