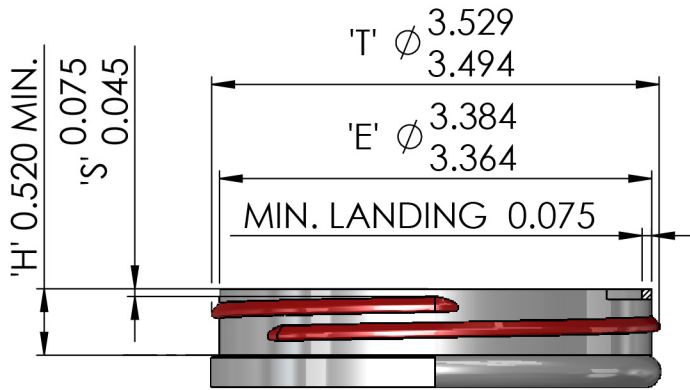


RECOMMENDED CONTAINER DATA

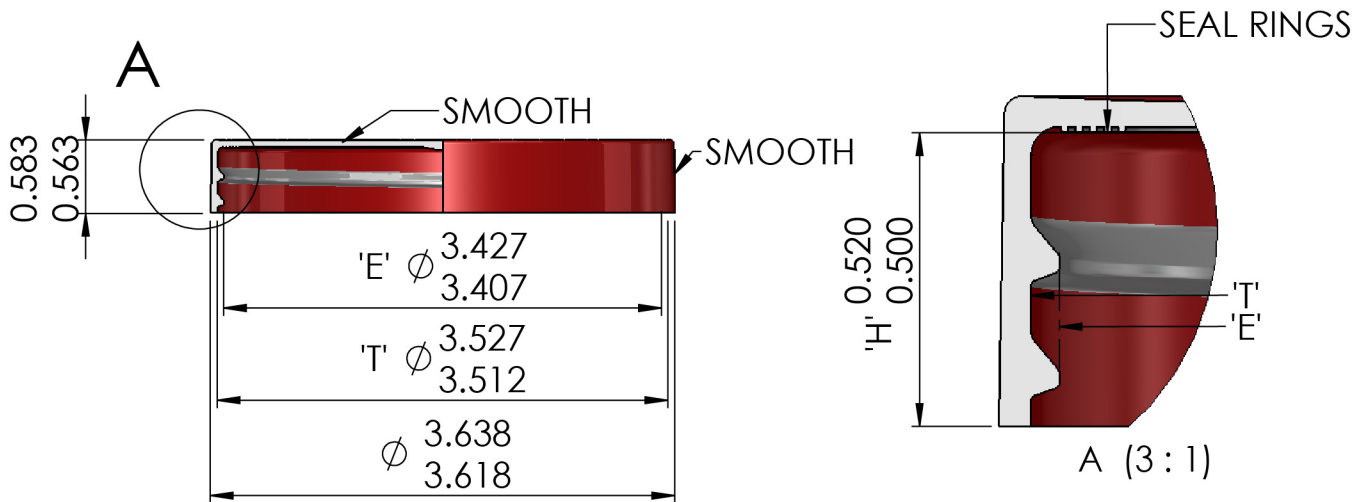
SPEC. No: S-089-400-10



THREAD DATA

- 1.) 89 SP400 FINISH
- 2.) 1.125 TURNS THREAD
- 3.) 5 TPI - .200 PITCH
- 4.) M OR L THREAD STYLE

CAP DATA



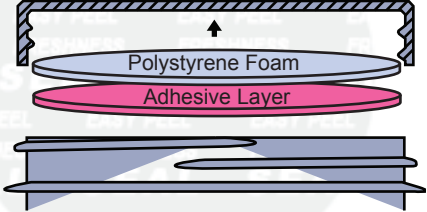
CAP SIZE:	89 MM
MATERIAL:	POLY PRO
WEB DRAWING	
DATE:	3/18/2011
PART DESCRIPTION:	89MM SMOOTH SMOOTH
SPECIFICATION No:	S-089-400-10

<p>rieke <i>Innovative Molding, Incorporated</i> 1200 Valley House Dr. Ste 100 Rohnert Park, CA 94928 Phone: (707) 328-9250 Fax: (707) 328-9264</p>			
COMPILED BY:	DWL	DRAWN BY:	CSF
REV:	B	STOCK #:	C-89-4A

Uni-Foam™ Technical Data Sheet

PS-113 (Pressure Sensitive)

Revision: PS-113-12022013

Product	PS-113 (Pressure Sensitive)											
Scope	One piece uniform polystyrene foam coated on one side with a specially formulated torque-activated adhesive. (Not approved for use with wet products.)											
Composition	<table border="1"> <thead> <tr> <th>Material</th> <th>Standard</th> <th>Metric</th> </tr> </thead> <tbody> <tr> <td>Polystyrene Foam</td> <td>0.020"</td> <td>0.508 mm</td> </tr> <tr> <td>Adhesive Layer</td> <td>0.002"</td> <td>0.051 mm</td> </tr> </tbody> </table>	Material	Standard	Metric	Polystyrene Foam	0.020"	0.508 mm	Adhesive Layer	0.002"	0.051 mm		
Material	Standard	Metric										
Polystyrene Foam	0.020"	0.508 mm										
Adhesive Layer	0.002"	0.051 mm										
FDA Status: 21 CFR 177.1210	Recommended Storage and Handling: Refer to website											
Drug Master File (DMF): 3948	EU / EP Reg.:											
GTR Oxygen: 2290 cc/m ² .Day (ASTM D3985)	MVTR: 5.85 g/m ² .Day (ASTM F1249)											
Print Location (if any):												

Selig materials are compliant with limitation of heavy metals in packaging per CONEG & EU 94/62/EC, article 11.

MSDS's are not required as Selig is not a chemical manufacturer or distributor and our products are 'articles' intended for food packaging per 29 CFR 1910.1200 (HazCom).

The information contained within this product data bulletin is to be used as a general guide in determining which structures are offered for sealing to specific container materials. All of the information which we provide is reliable to the best of our knowledge, but the accuracy thereof is not guaranteed. We suggest that consumers determine suitability for their own application.

www.seligsealing.com

Corporate Headquarters
Selig Sealing Products, Inc.
342 E Wabash St
Forrest, IL 61741, USA
Phone: +1 (815) 785-2100
Fax: +1 (815) 657-7584

North American Sales
Selig Sealing Products, Inc.
184 Shuman Blvd., Suite 310
Naperville, IL 60563, USA
Phone: +1 (630) 922-3158
Fax: +1 (630) 922-8469

European Sales and Manufacturing
Selig UK, LTD 635-637 Ajax Avenue
Slough Trading Estate
Slough Berkshire SL14BH UK
Phone: +44 (0) 1753 773 000
Fax: +44 (0) 1753 773 111

Canadian Manufacturing
Selig Canada, ULC
145 Edward Street
Aurora, Ontario Canada, L4G 1W3
Phone: +1 (905) 727-0114
Fax: +1 (905) 727-8544

Swiss Manufacturing
Selig Switzerland LTD
Bahnhofstrasse 11
CH-8172 Niederglatt
Phone: +41 (0) 44 851 50 50
Fax: +41 (0) 44 851 50 51

