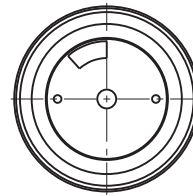
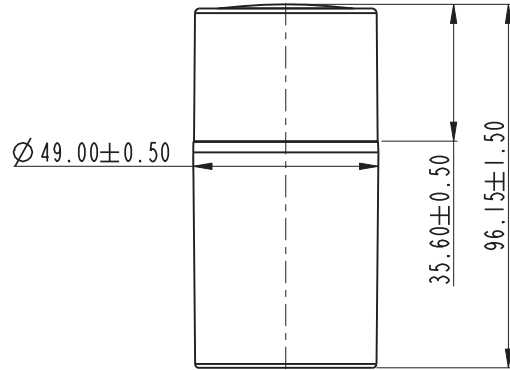
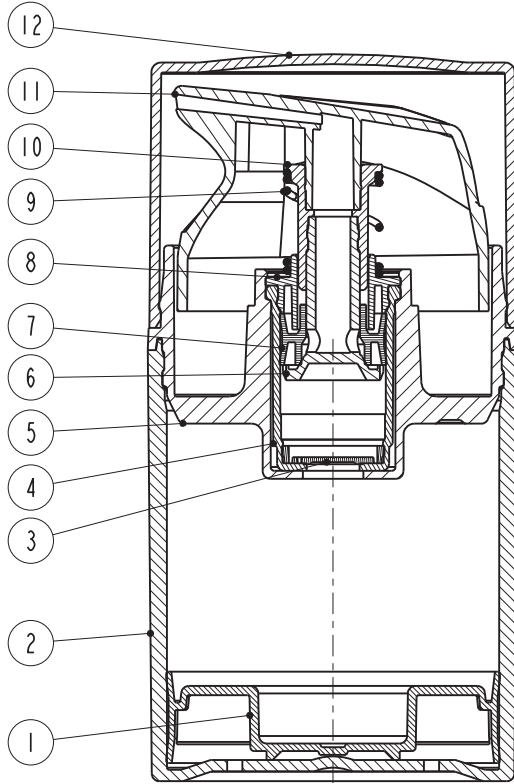


3		4	
MARK	REVISER	DESCRIPTION	DATE

K



scale 1:2

NO.	Component	Material	Specification	DWG No.	QTY	Remark
12	Overcap	PP	Color for order form	SGR605-07A1	1	
11	B-Actuator	PP	Color for order form	SGR605-08A2	1	
10	Stem	PP	Color for order form	SGR601-04A1	1	
9	Spring	SUS304	$\varnothing 0.9 \times 24.9L \times 5$ circle	SGR601-96A1	1	
8	Closure	PP	Color for order form	SGR601-06A1	1	
7	Small Piston	LDPE	Natural	SGR601-03A1	1	
6	Needle	PP	Natural	SGR601-17A1	1	
5	Connector	PP	Color for order form	SGR605-06A1	1	
4	housing	PP	Natural	SGR601-01A1	1	
3	Sealing Bushing	LDPE	Natural	SGR601-21A1	1	
2	50mL Bottle	PP	Color for order form	SGR605-24A1	1	
1	Big Piston	HDPE	Natural	SGR605-03A2	1	

Dosage: 1.0 ± 0.2 mL
Weight: 49.4 ± 3.0 g

TOLERANCE	○	□	◇
0mm-15mm	± 0.05	± 0.10	± 0.50
15mm-30mm	± 0.05	± 0.15	± 1.00
30mm-50mm	± 0.10	± 0.20	± 1.50
50mm-99mm	± 0.15	± 0.30	± 2.00
ABOVE 99mm	± 0.20	± 0.40	± 2.50
CENTER	± 0.10	± 0.50	± 1.00
ANGLE	$\pm 0.25^\circ$	$\pm 0.50^\circ$	$\pm 2.00^\circ$

DRAFTER:	2018-12-29	UNIT: mm		
CHECKED:		MODEL NAME:	TITLE: 50mL Airless bottle	
CENSOR:		SCALE: 1:1	VISUAL ANGLE:	Q'TY: 1/1
APPROVED:		PART NO: 605B-50ml	DWG NO:	REV: A0