

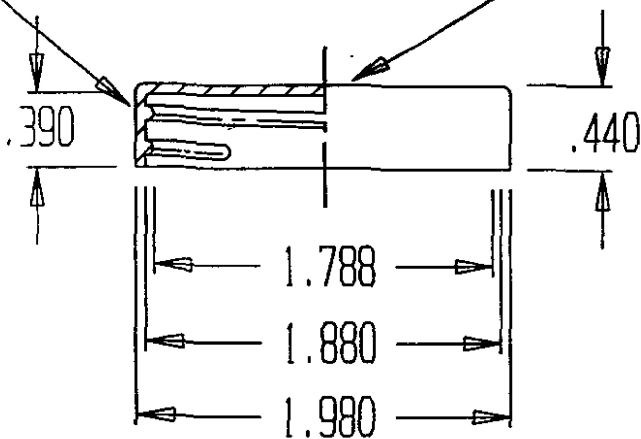
REVISIONS

REV.	DATE	APPROVAL	DESCRIPTION
1	2-19-99		"B": .440 / "H": .390

APPROVED
3-2-99

6 T.P.I.

SMOOTH TOP



UNCONTROLLED COPY

"T"	"E"	"H"	"A"	"B"
1.880	1.788	.390	1.980	.440
MATERIAL: POLYPROPYLENE				
WEIGHT: 3.8 GRAMS "AVERAGE"				

"S" 48 M.M./400 CAP	
MOLD-RITE PLASTICS INC. PLATTSBURGH, NEW YORK	
TOLERANCE: +/- .010	DRAWN BY: P.D.T.
SCALE: FULL	DATE: 7-5-94
DRAWING NO. C-1011	