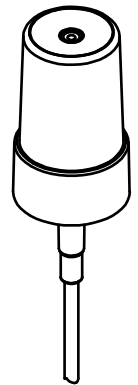
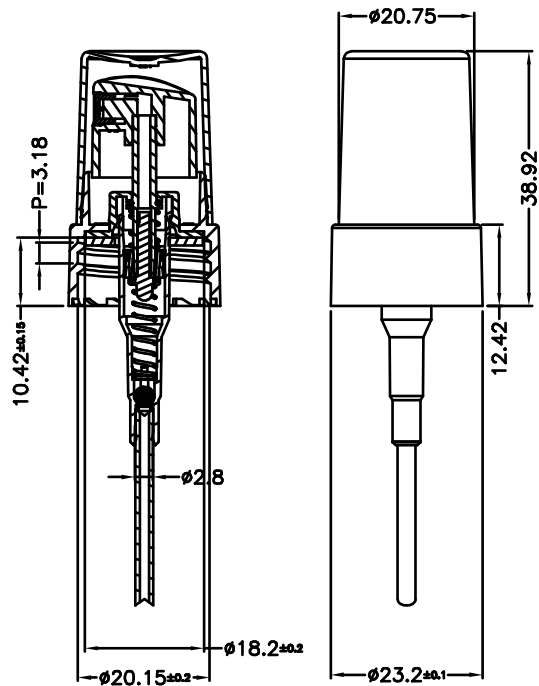
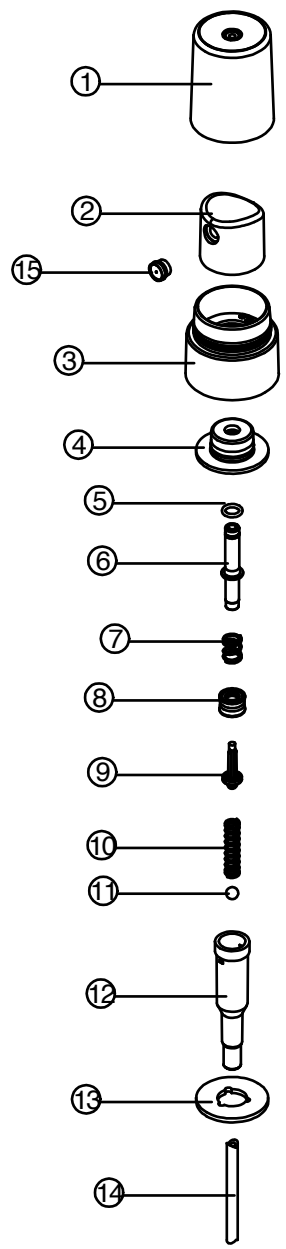


REVISION RECORD		
REV	DESCRIPTION	DESIGN



Output : 0.18 ± 0.02cc.

NO	NAME	DRAWING NO	QTY	MATERIAL	WEIGHT	REMARKS
15	Nozzle	TR300/019/01	1	POM/FM090	0.05g	
14	Dip tube	TR301/025	1	LDPE		
13	Gasket	TR301/022	1	PE	0.089g	
12	pump housing	TR301/102	1	PP/5090T+4% PP(3078)+0.16	0.45g	
11	Ball valve	TR301/019	1	Glass	0.04g	
10	Spring	TR301/017	1	SUS304	0.18g	
9	Spring base	TR301/004	1	POM/FM090	0.071g	
8	Piston	TR301/002	1	LDPE/3224+4 (5902) +0.16	0.08g	
7	Spring	TR301/018	1	SUS304	0.1g	
6	Piston bar	TR301/106	1	POM/FM090	0.23g	
5	O ring	TR301/027	1	NBR	0.01g	
4	Connection cap	TR301/065	1	PP/HKR10	0.31g	
3	Closure	TR301/269	1	PP/HKR102		
2	Actuator	TR301/128	1	PP/PE420MO	0.96g	
1	Transparent cover	TR300/017	1	PP/PE420MO	1.4g	

<table border="1"> <tr> <td>MM</td> <td>STYLE</td> <td>Medium</td> </tr> <tr> <td>1-4</td> <td></td> <td>± 0.10</td> </tr> <tr> <td>4-16</td> <td></td> <td>± 0.20</td> </tr> <tr> <td>16-63</td> <td></td> <td>± 0.30</td> </tr> <tr> <td>63-250</td> <td></td> <td>± 0.50</td> </tr> <tr> <td>250-1000</td> <td></td> <td>± 0.80</td> </tr> </table>	MM	STYLE	Medium	1-4		± 0.10	4-16		± 0.20	16-63		± 0.30	63-250		± 0.50	250-1000		± 0.80	Design: Examine: Approval: Material: Weight: Qt'y:	20/400 DRAWING NO. PART NO.	SCALE: REV: A0 SIZE: A4 SHEET: 1/1
MM	STYLE	Medium																			
1-4		± 0.10																			
4-16		± 0.20																			
16-63		± 0.30																			
63-250		± 0.50																			
250-1000		± 0.80																			

Change in drawing is determined by our company without further notice.

8 | | 7 | | 6 | | 5 | | 4 | | 3 | | 2 | | 1