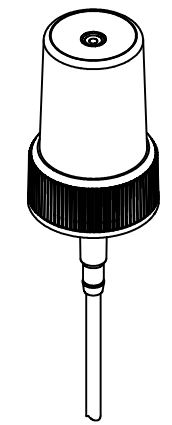
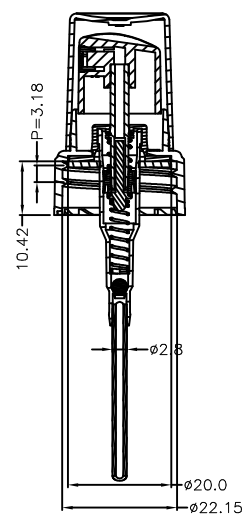
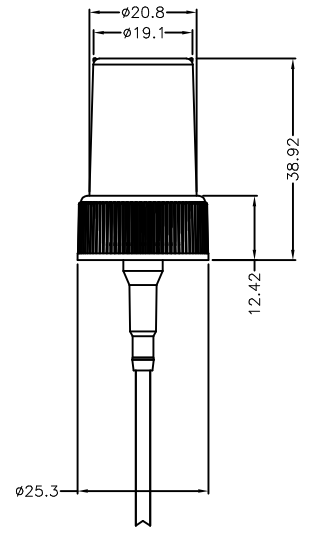
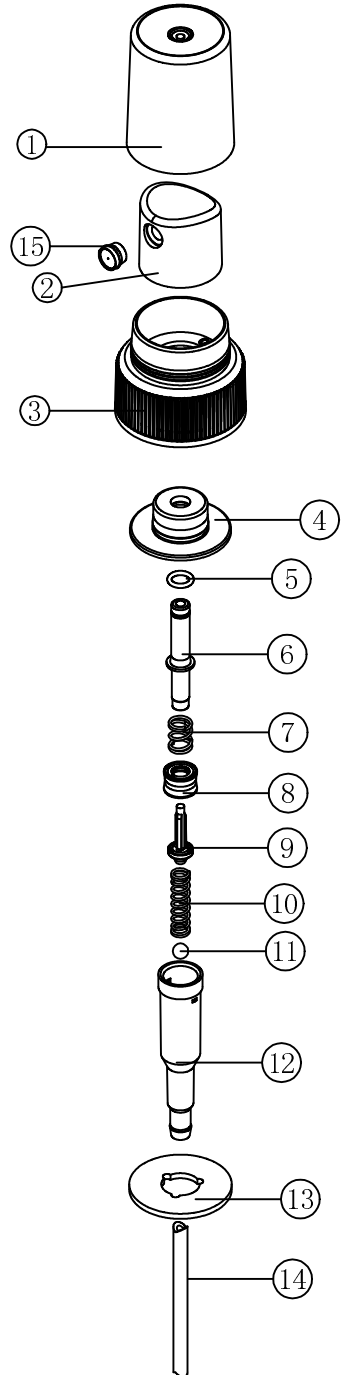


Change in drawing is determined by our company without the further notice.

| REVISION RECORD |             |        |
|-----------------|-------------|--------|
| REV             | DESCRIPTION | DESIGN |
|                 |             |        |



output:  $0.18 \pm 0.02$ CC

| NO | NAME              | DRAWING NO | QT' Y | MATERIAL   | WEIGHT | REMARKS |
|----|-------------------|------------|-------|------------|--------|---------|
| 15 | Nozzle            | TR301/223  | 1     | POM/90-44  | 0.05g  |         |
| 14 | Dip tube          | TR301/025  | 1     | LDPE       |        |         |
| 13 | Gasket            | TR301/023  | 1     | PE         | 0.11g  |         |
| 12 | Pump housing      | TR301/102  | 1     | PP/RE420M0 | 0.45g  |         |
| 11 | Ball valve        | TR301/019  | 1     | Glass      | 0.04g  |         |
| 10 | Spring            | TR301/017  | 1     | SUS304     | 0.18g  |         |
| 9  | Spring base       | TR301/004  | 1     | POM/90-44  | 0.071g |         |
| 8  | Piston            | TR301/002  | 1     | LLDPE/218W | 0.064g |         |
| 7  | Spring            | TR301/018  | 1     | SUS304     | 0.1g   |         |
| 6  | Piston bar        | TR301/106  | 1     | POM/90-44  | 0.23g  |         |
| 5  | O Ring            | TR301/027  | 1     | NER        | 0.01g  |         |
| 4  | Connection cap    | TR301/010  | 1     | PP/HKR102  | 0.3g   |         |
| 3  | Closure           | TR301/262  | 1     | PP/HKR102  | 1.8g   |         |
| 2  | Actuator          | TR301/128  | 1     | PP/RE420M0 | 0.96g  |         |
| 1  | Transparent cover | TR300/017  | 1     | PP/RE420M0 | 1.4g   |         |

| MM (INCH) |            |            | Design: 2017.10.18 |           | 22/400   | SCALE: A0  |
|-----------|------------|------------|--------------------|-----------|----------|------------|
| GRADE     | FINE       | MEDIUM     | COARSE             | Examine:  |          |            |
| 1-4       | $\pm 0.05$ | $\pm 0.10$ | $\pm 0.30$         | Approval: | PART NO. | SIZE: A4   |
| 4-16      | $\pm 0.07$ | $\pm 0.20$ | $\pm 0.50$         | Material: |          | SHEET: 1/1 |
| 16-63     | $\pm 0.10$ | $\pm 0.30$ | $\pm 0.70$         | Weight:   |          |            |
| 63-250    | $\pm 0.20$ | $\pm 0.50$ | $\pm 1.20$         | Qt' y:    |          |            |
| 250-1000  | $\pm 0.30$ | $\pm 0.80$ | $\pm 2.00$         |           |          |            |

8 | 7 | 6 | 5 | 4 | 3 | 2 | 1