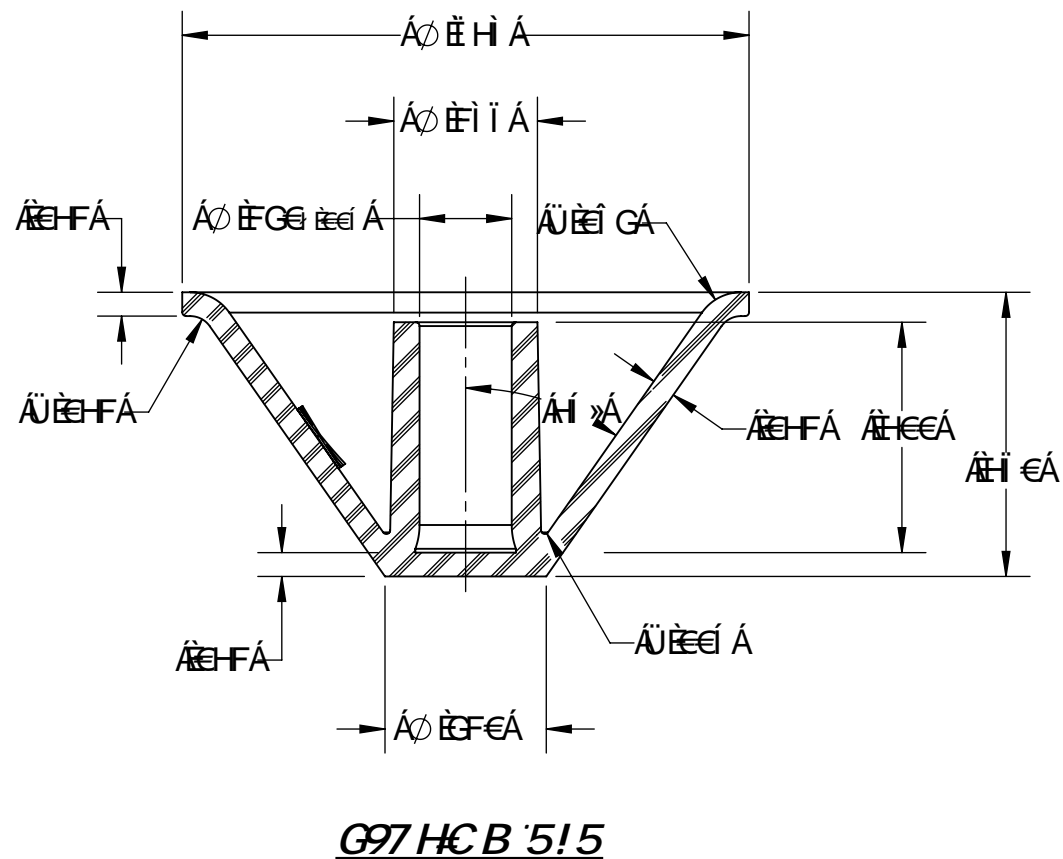
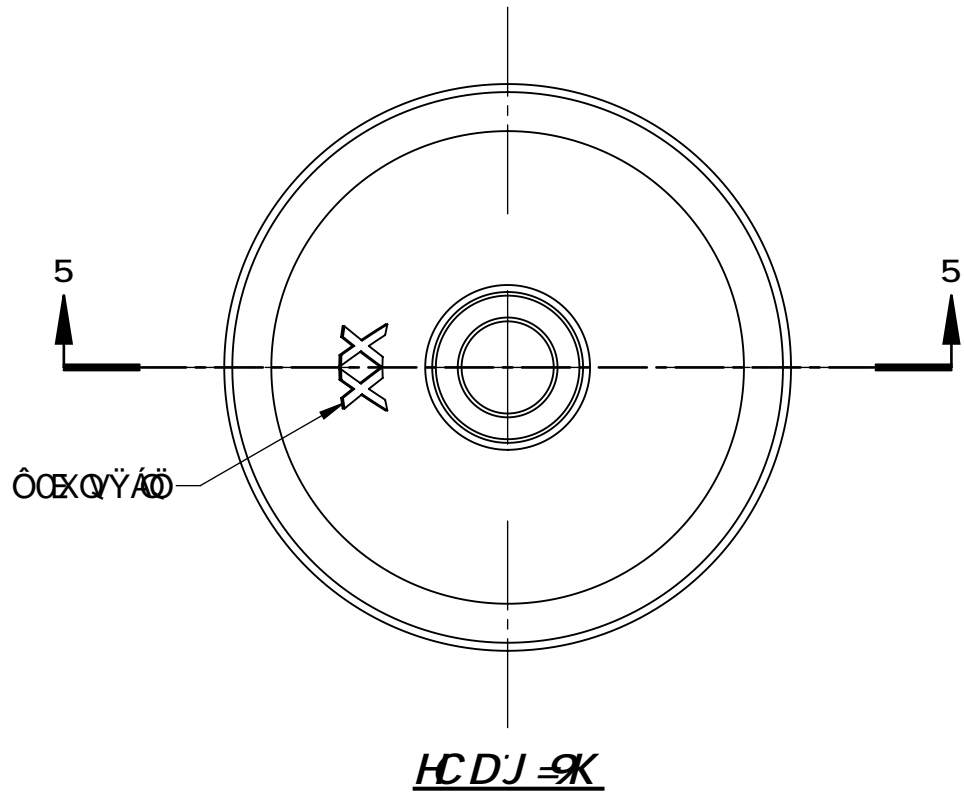


DFC8I 7HCB'F9 @5 G9



BCH9G

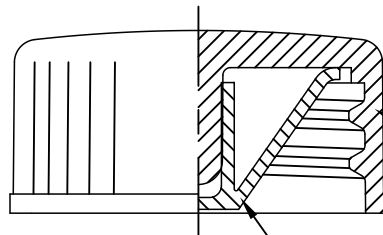
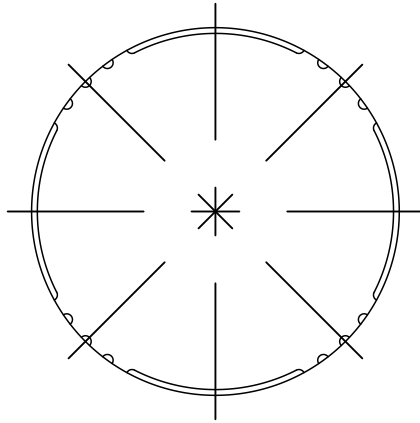
FÈ T ÆVÒÜÖŠÄSÖÜÒ
 GÈ ÖÜÖÆVÖÖÄÜUT ÄJSÖÄÜÖÆY Ø ÆGHÍ Í ÈÈÈÈ
 HÈ VUSÖÜÖ ØÖÄMÆFÈÄMÆ SÖÜÄJVPÖÜY ØÄÜÜÖÖØÖÖ
 I È ÖÜÖÆ ØÖÄJÄUVÁUÄÖÄMÖÖÄJÜÄT USÖÄÜPÜVÜWÖNØPÈÄ
 ÖUPÜMŠVÄJÜÖØØSÄJNÖÖŠÖÜÖÆ ØÜÄJÜÜÄÖÖWÜÖÆY

<p>VPÖÄÜÖÆ ØÖÄJÄUVÁUÄÖÄMÖÖÄJÜÄT ÄPÖÄÜÜÜXÖÖŠÜÖÆØP</p>	
<p>7CB: 89BH5 @</p>	
<p>Berry</p>	
<p>FÈFÄJÖSSÖYÄJNÜÖÖN ÖXØPÜXÖŠÖÄ ØÖØPØÄÍÍÈ VÖŠÖFÖÄGÈJÈ</p>	
<p>7: && \$MMD7</p>	<p>7I GHCA9F</p>
<p>ÖÜÈFÍ È HÍ ÈÜÜVEF</p>	
<p>SÈSUÜØÖ</p>	<p>Ï Ø Ø È Ï</p>
<p>Ö</p>	<p>FÄ Ä</p>
<p>Ö</p>	<p>I K Ö</p>

ÜÖXÄÖÄFØÈFÍ ÄSÜS
 ÄÜÖVFI È I JÄ

2

1



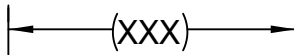
CAP: 23439998-A
PHENOLIC & UREA

POLY SEAL LINER: 22365030-A
POLYETHYLENE

NOTES:

- 1. MATERIAL: AS SHOWN
- 2. TOLERANCES: ±.010" U.O.S.

REV A - 12/18/2017 - EPH
#RCT170560



REFERENCE DIMENSIONS ARE NOT INSPECTED AND NO TOLERANCE APPLIED



INSPECTION DIMENSIONS ARE VERIFIED WITH TOLERANCE

THIS DRAWING IS NOT A CONTROLLED DOCUMENT IF PRINTED OR COPIED FROM THE APPROVED LOCATION



101 OAKLEY STREET
EVANSVILLE,
INDIANA 47706
TEL. (812) 424-2904

CONFIDENTIAL

THIS UNPUBLISHED WORK IS THE PROPERTY OF BERRY GLOBAL INC. AND IS PROTECTED BY TRADE SECRET, COPYRIGHT AND OTHER INTELLECTUAL PROPERTY LAWS AND MAY ALSO BE SUBJECT TO A SPECIFIC OR GENERAL CONFIDENTIALITY AGREEMENT. IT IS NOT TO BE VIEWED BY UNAUTHORIZED PERSONS OR DUPLICATED IN ANY MEDIUM FOR PURPOSES OTHER THAN THOSE FOR WHICH IT IS SPECIFICALLY FURNISHED.

SIZE & STYLE:

CC22400SPC

DRAWING TYPE:

CUSTOMER

DESCRIPTION:

ASSEMBLY 22-400 PCPS WITH POLY SEAL LINER

DRAWING NO:

23432236

PROJECT NUMBER:

CREATED BY:

MTW

CREATION DATE:

07/19/07

DRAWING REVISION:

A

SHEET

1 of 1

SCALE:

2:1

SHEET SIZE

A

2

1