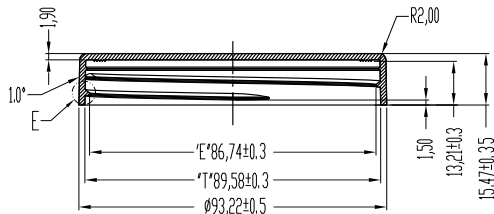
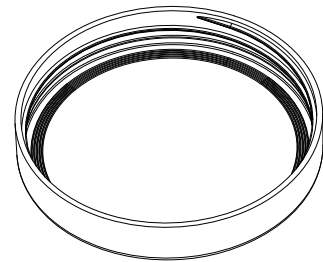
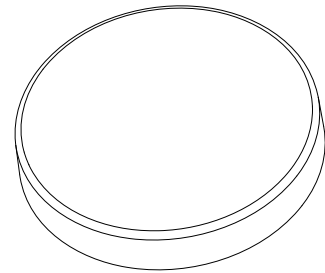
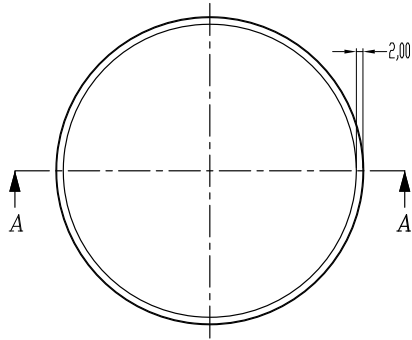
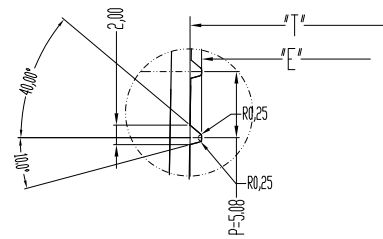
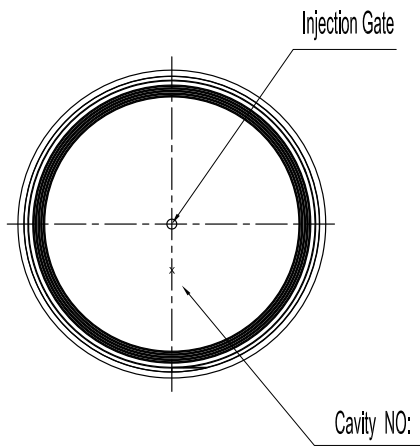


No .	PROCESS	CODING


REVISIONS			
REV	DESCRIPTIONS	DATE	BY



SECTION A-A



DETAIL E
SCALE 4:1

PROJECTION		TITLE: 89mm T-cap		MATERIAL: PP	SURFACE:
PERIOD OF VALIDITY: 3 years		DWG NO: RTCO-DR-PP-WH89MM-TCAP-P023PN		WEIGHT: 18.5±0.5g	version: /
GENERAL TOLERANCES	METRIC MILLIMETRES	[IMPERIAL] [INCHES]	DRAWN BY: Ellis	DATE:	UNITS: mm
	X.X ±0.3	[.XX ±0.01]	APPROVED BY: Alan Luis	DATE:	SCALE: 1:1
	X.XX ±0.13	[.XXX ±0.05]	APPROVED BY: (CUSTOMER)	DATE:	
	X' ±2'				
	X'X' ±0'15'				