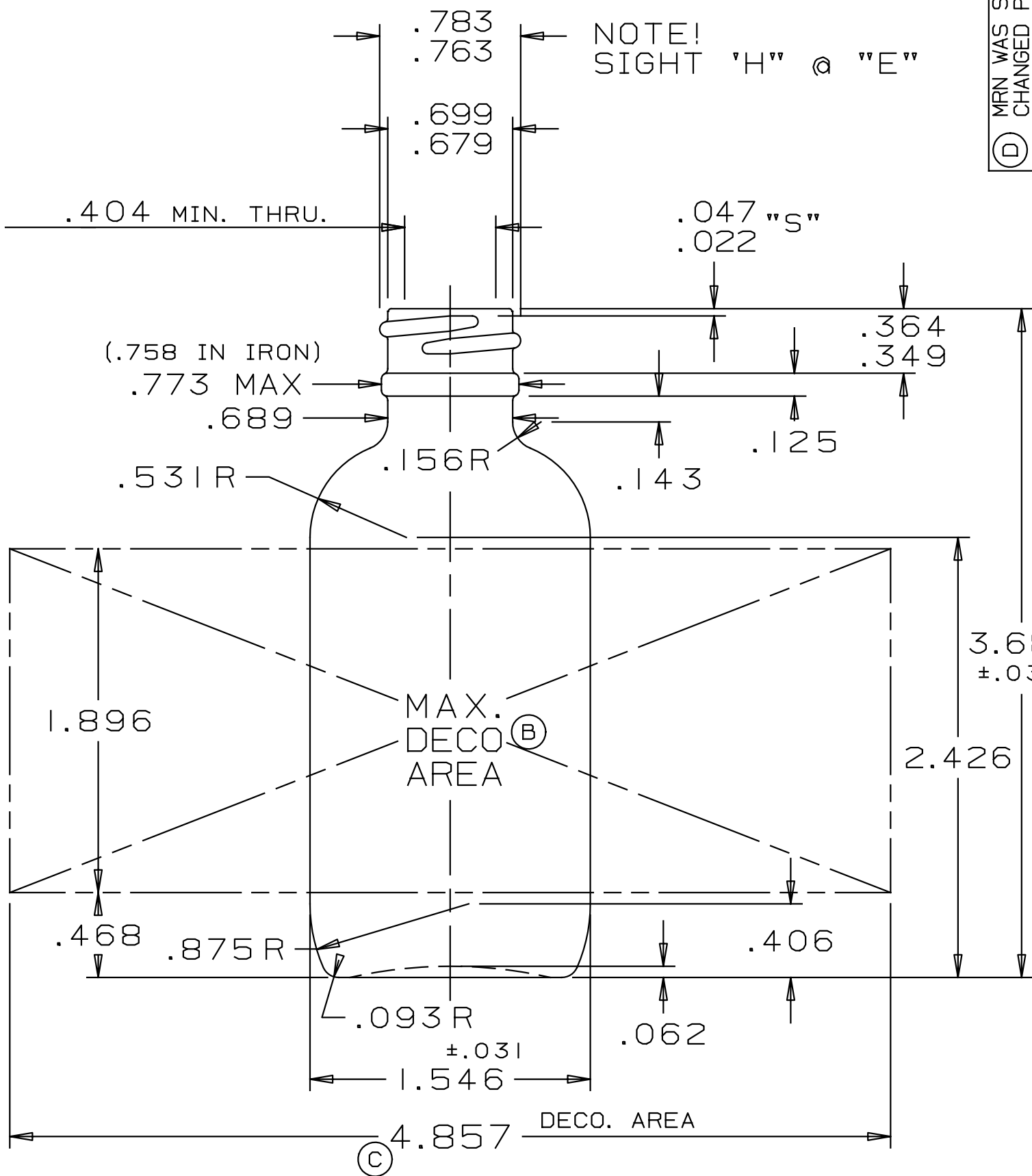


DEPRESSED THD @ SEAMS

NOTE!
SIGHT "H" @ "E"



(D)	MRN WAS S-4588R CHANGED PER SAP 6/4/18 AW
(C)	REV'D DECO AREA 8/4/11
(B)	REV'D DECO AREA 7/25/11
(A)	REMOVED GLASS TYPE 11/22/04

REVISIONS

U-39594D

DATE DRAWN 4-18-03

DRAWN BY E.CHANCE

CHECKED BY

MOLD REGISTER NO. U-4588QRQQ

SCALE FULL UNLESS OTHERWISE NOTED

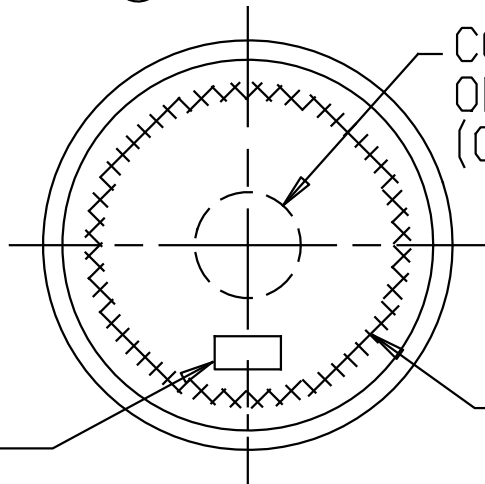
APPROX. WGT. 2.203 oz

PIRAMAL GLASS
knowledge action care
PARSON, NJ USA

DRAWING No:

62.49 GRAMS AMBER/FLINT/BLUE

CAVITY No.



CODING DOTS TO APPEAR
ON A .200 RADIUS
(CODING DOTS ARE OPTIONAL)

STIPPLE BEARING
SURFACE

E-39594A

CUSTOMER

TITLE BOSTON ROUND

PRACTICAL FILL 2 oz.

CAPACITY 62.2cc-65.8cc O.F.

FINISH GPI 400-20-405

(A)