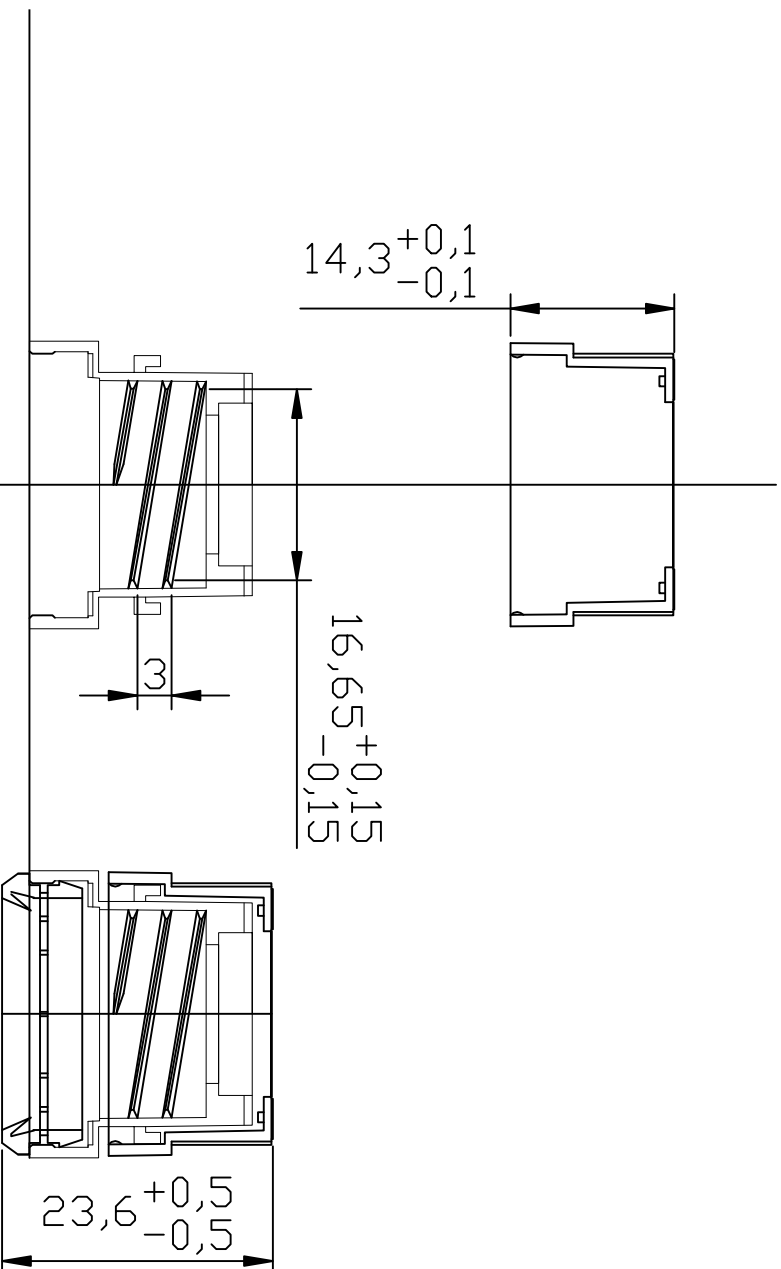


$14,3^{+0,1}_{-0,1}$



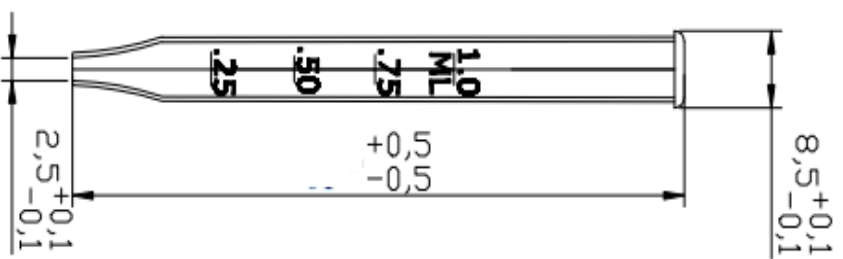
$16,65^{+0,15}_{-0,15}$

3

$23,6^{+0,5}_{-0,5}$

$20,2^{+0,15}_{-0,15}$

$7^{+0,15}_{-0,15}$



$8,5^{+0,1}_{-0,1}$

$5,5^{+0,1}_{-0,1}$

$2,5^{+0,1}_{-0,1}$