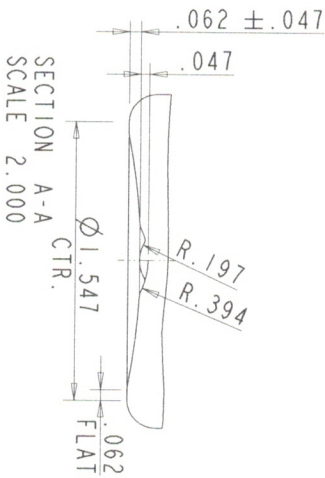
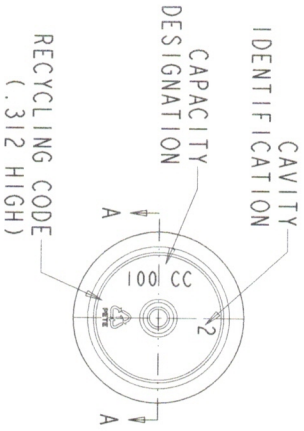
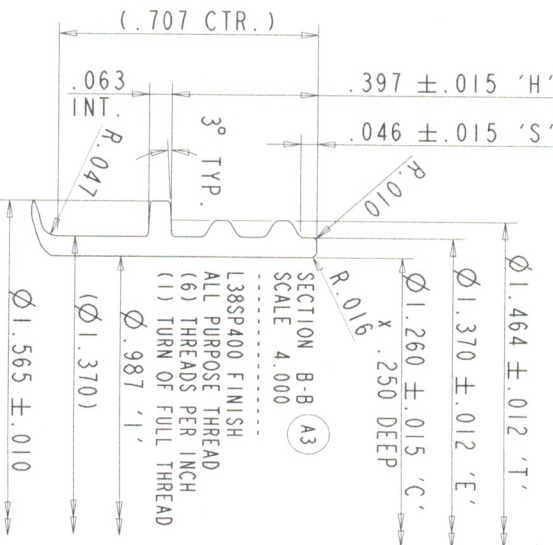


SCALE 0.750

REV	DATE	BY	REVISION
091710		RJ	THIS DRAWING HAS BEEN REDRAWN FROM GMP-1026-C-PO.
A	101710	RJ	A1 REMOVED NOTES 5 & 6, A2 REMOVED DIM S 2.412 & 1.284, A3 REVISED THREAD DETAIL.
B	092415	EJ	A1 REDRAWN FROM 3196-0203-A.



- AI NOTES:
- 1 - MOLD NO. NB-400118
  - 2 - MAX. VARIATION IN AVERAGE DIAMETER BETWEEN TOP AND BOTTOM NOT TO EXCEED .010
  - 3 - ALL DIMENSIONS APPLY AS MOLDED
  - 4 - MAXIMUM OUT OF ROUNDNESS ON BODY OF CONTAINER NOT TO EXCEED .015

RESTRICTED, CONFIDENTIAL DOCUMENT

THIS DOCUMENT AND THE INFORMATION HEREON IS THE PROPERTY OF PERFORMANCE PACKAGING TECHNOLOGIES, INC. AND IS LOANED TO YOU FOR YOUR INFORMATION ONLY. IT IS NOT TO BE REPRODUCED, COPIED, OR DISTRIBUTED IN ANY MANNER WITHOUT THE WRITTEN PERMISSION OF PERFORMANCE PACKAGING TECHNOLOGIES, INC. ALL INFORMATION CONTAINED HEREIN IS UNCLASSIFIED EXCEPT WHERE SHOWN OTHERWISE. THIS DOCUMENT IS UNCLASSIFIED EXCEPT WHERE SHOWN OTHERWISE. THIS DOCUMENT IS UNCLASSIFIED EXCEPT WHERE SHOWN OTHERWISE. THIS DOCUMENT IS UNCLASSIFIED EXCEPT WHERE SHOWN OTHERWISE. THIS DOCUMENT IS UNCLASSIFIED EXCEPT WHERE SHOWN OTHERWISE.

19.29 SQUARE INCHES	5.19 SQUARE INCHES	14.0 ±1.0 GRAMS	PET MAT.	123.9 ±4.5 cc (4.19 ±.15 fl oz)	OVERFLOW CAPACITY
---------------------	--------------------	-----------------	----------	---------------------------------	-------------------



100 cc CT ROUND WIDE MOUTH PACKER  
L38SP400 FINISH

FILE NAME: XXXX.100cc-STR-SIDE  
SCALE: 1.4:1 DATE: 09-17-2010 SHEET 1 OF 1

2

3

4