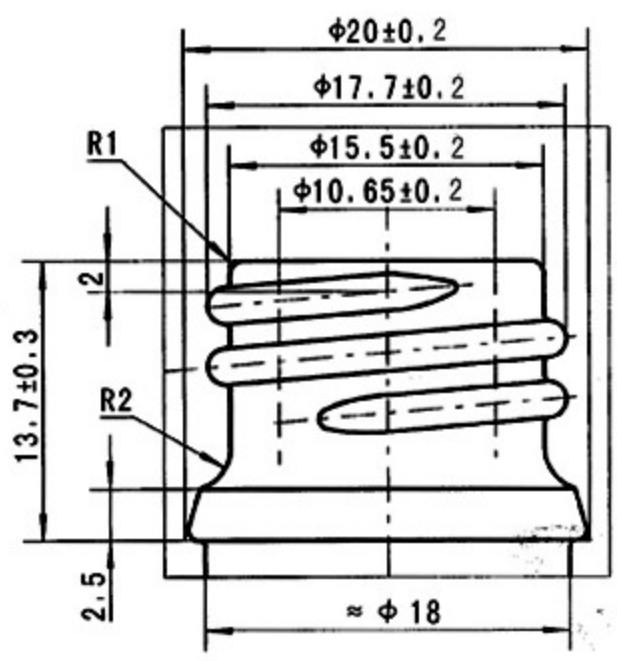
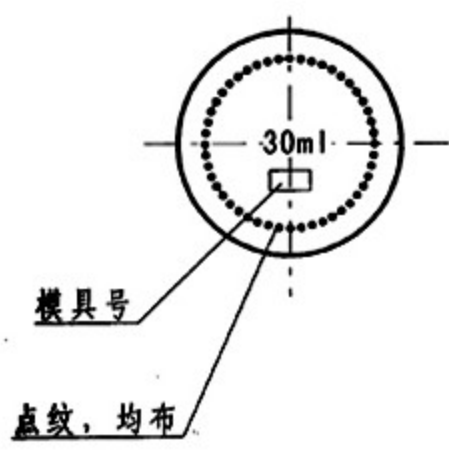


螺距 3  
 螺纹宽度 1.8  
 螺纹圈数 2.2



Filling Cap.:	30ml	DES'D by		REF. NO.:	490301 #
			Date:		DRG. NO.:
Brimful Cap.:	35±2ml	CHK'D by		Material	Essence oil bottle, Type III
			Date:		
Weight:	Around 48g	APP'D by		<b>Shandong Pharmaceutical Glass Co., Ltd.</b>	
			Date:		



Certificate CN20/10618

The Food Safety Management System of

# Shandong Pharmaceutical Glass Co., Ltd.

Yiyuan County, Zibo City, Shandong Province, 256100, P.R. China

has been assessed and determined to comply with the requirements of

## Food Safety System Certification FSSC 22000

Certification scheme for food safety management systems consisting of the following elements:  
ISO 22000:2018, ISO/TS22002-4:2013 and Additional FSSC 22000 requirement (version 5.1).

This certificate is applicable for the scope of:

**The mixing, melting, forming, hot end coating, annealing, cold end coating and packing of food packaging glass containers for direct food contact**

**Food Category: I - Production of Food Packaging and Packaging Material**

This certificate is valid from 22 July 2021 until 22 June 2023 and remains valid subject to satisfactory surveillance audits.

Date of Certification decision 22 July 2021

Issue Date: 23 July 2021

Re-certification audit due 60 days prior to expiry date

Issue 2. Certified since 23 June 2020



Authorised by



0005

SGS United Kingdom Ltd  
Rossmore Business Park, Ellesmere Port, Cheshire, CH65 3EN, UK  
t +44 (0)151 350-6666 f +44 (0)151 350-6600 www.sgs.com

21HC FSSC 22000 V5.1 0421

Page 1 of 1

Validity of this certificate can be verified in the FSSC 22000 database of certified organizations available on [www.fssc22000.com](http://www.fssc22000.com).



This document is issued by the Company subject to its General Conditions of Certification Services accessible at [www.sgs.com/terms\\_and\\_conditions.htm](http://www.sgs.com/terms_and_conditions.htm). Attention is drawn to the limitations of liability, indemnification and jurisdictional issues established therein. The authenticity of this document may be verified at <http://www.sgs.com/en/certified-clients-and-products/certified-client-directory>. Any unauthorized alteration, forgery or falsification of the content or appearance of this document is unlawful and offenders may be prosecuted to the fullest extent of the law.