



TECNOCAP TL

DATA SHEET

N° M59BB

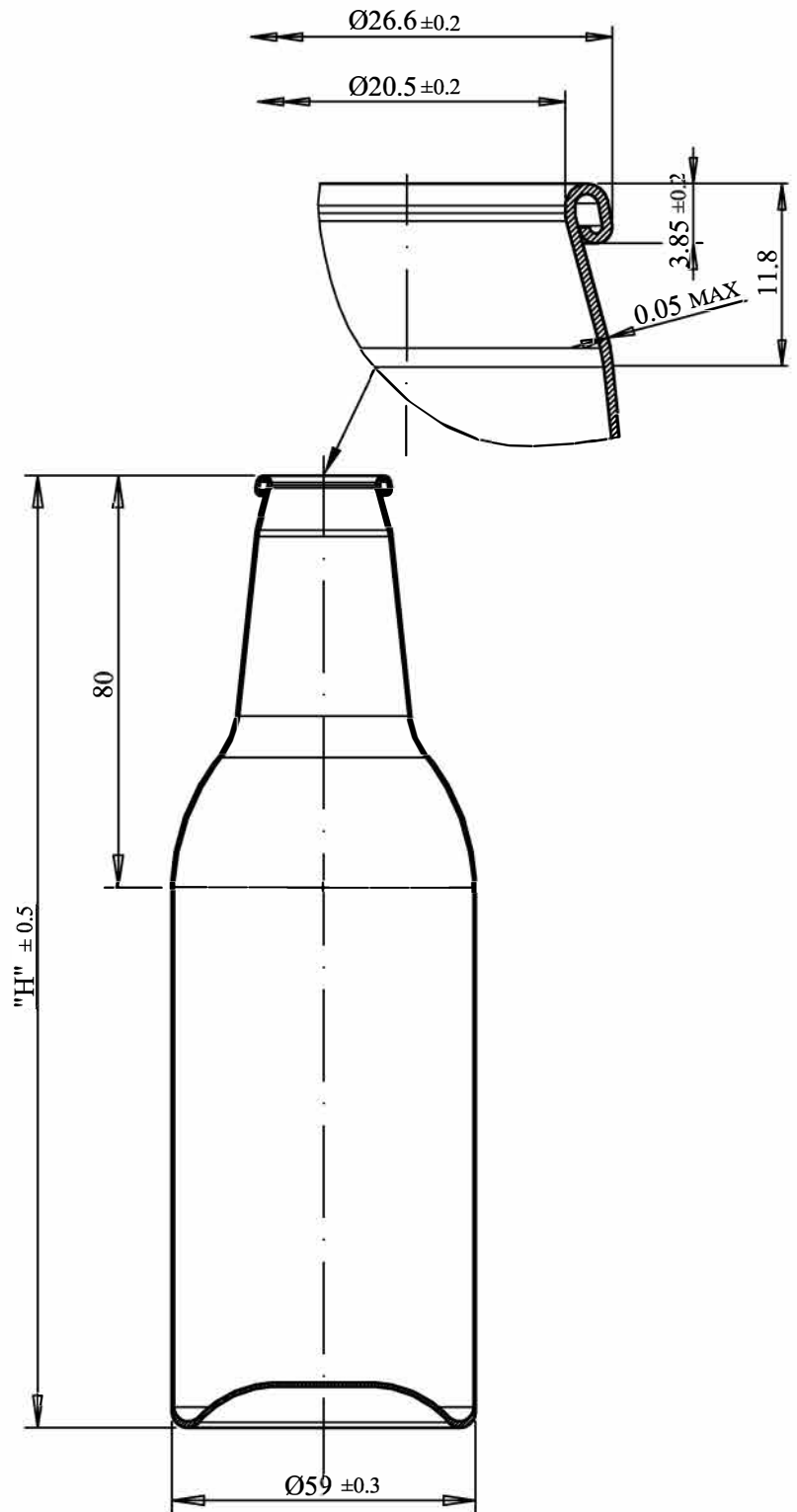
ISSUED:

24/08/17

MODIFIED:

"H"	CAPACITY' ml	PRINTABLE HEIGHT
155 ±0.5	250	72
185 ±0.5	330	102
202 ±0.5	375	119
249 ±0.5	500	166

PROVISIONAL



MATERIAL: Aluminum 99.5 o Alloy 3207

NOTE: _____

SIGNATURE: