

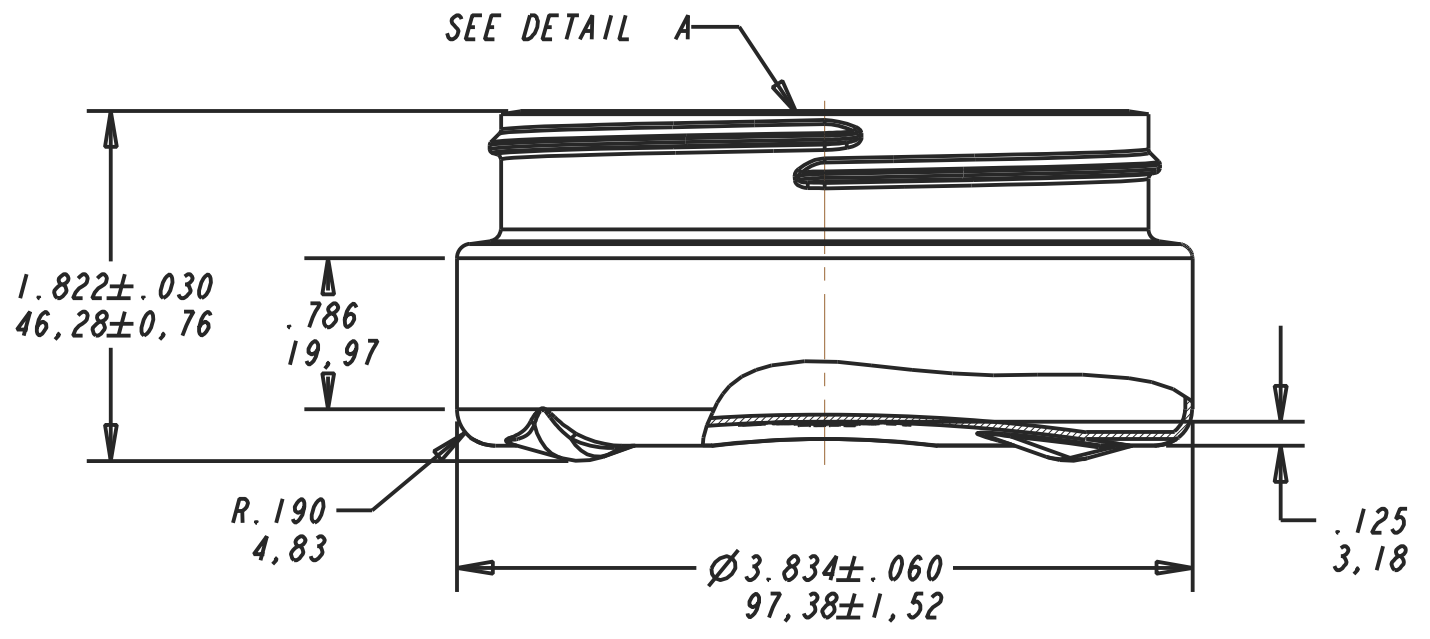
DETAIL A  
M89-400 NECK FINISH  
5 T.P.I., 1 THREAD TURNS  
.250 MIN. "I" DEPTH  
SCALE 1.000



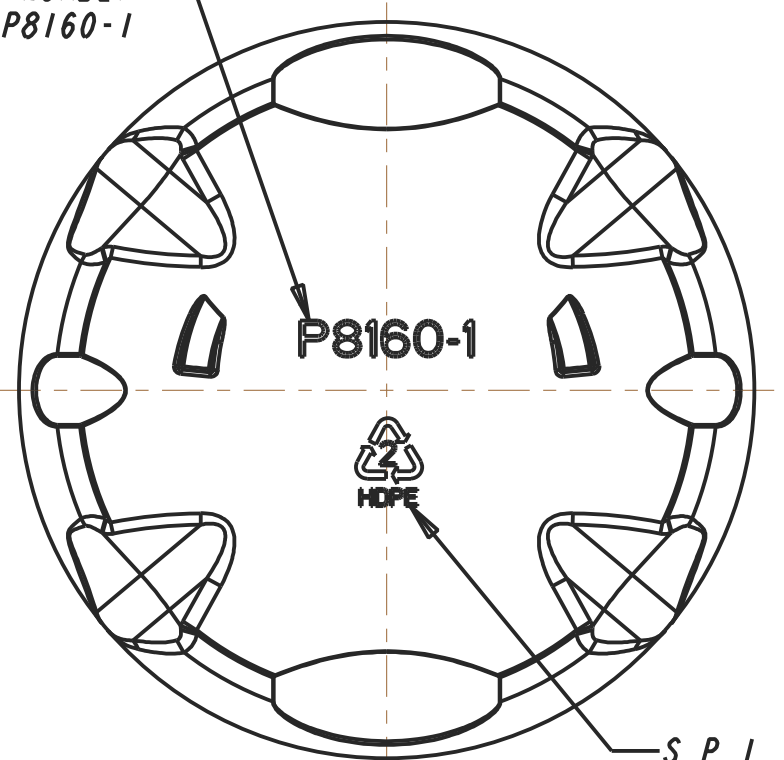
8 OZ. CANNABIS JAR WITH  
MOLD RITE 89mm CHILD RESISTANT CAP  
ASSEMBLY DRAWING



8 OZ. CANNABIS JAR WITH  
MOLD RITE R.M. 89mm / 400 CAP  
ASSEMBLY DRAWING



NPD NUMBER &  
CAVITY NUMBER  
P8160-1



S.P.I. RECYCLE SYMBOL

ALPHA PACKAGING, INC.  
23 OCTOBER 2015  
CLEVELAND, OHIO

NPD # 8160		DISCLAIMER: Alpha Packaging assumes no responsibility for form, fit and function of closures, accessories, and/or shelf life and compatibility of intended contents with this bottle.				
Alpha Packaging, Inc.	Color	Min. Thk	Weight	Overflow Volume	Revisions	
All measurements are in inches, [mm]		.012	23.0 ± 2.0g	275.0 ± 7.0cc	A	OVERALL HEIGHT WAS 1.743,
						MINIMUM WALL WAS T.B.D.,
						OVERFLOW VOLUME WAS 268.0cc & REMOVED PRELIMINARY STAMP
Tolerance: Where not shown	NECK FINISH	M89-400		23-OCT-15, J. ZITZMAN		Scale: 1.000
Decimal ±0.05 [1.27] Angular ±1°	MATERIAL:	HDPE		Alpha Packaging, Inc. (314) 427-4300-(800) 421-4772		Drawn By: J. ZITZMAN Date: 20-OCT-14
					8 OZ. CANNABIS JAR-HDPE M89-400, CT, [236cc]	
					Approved By:	Drawing NO: H0236RDJR089A