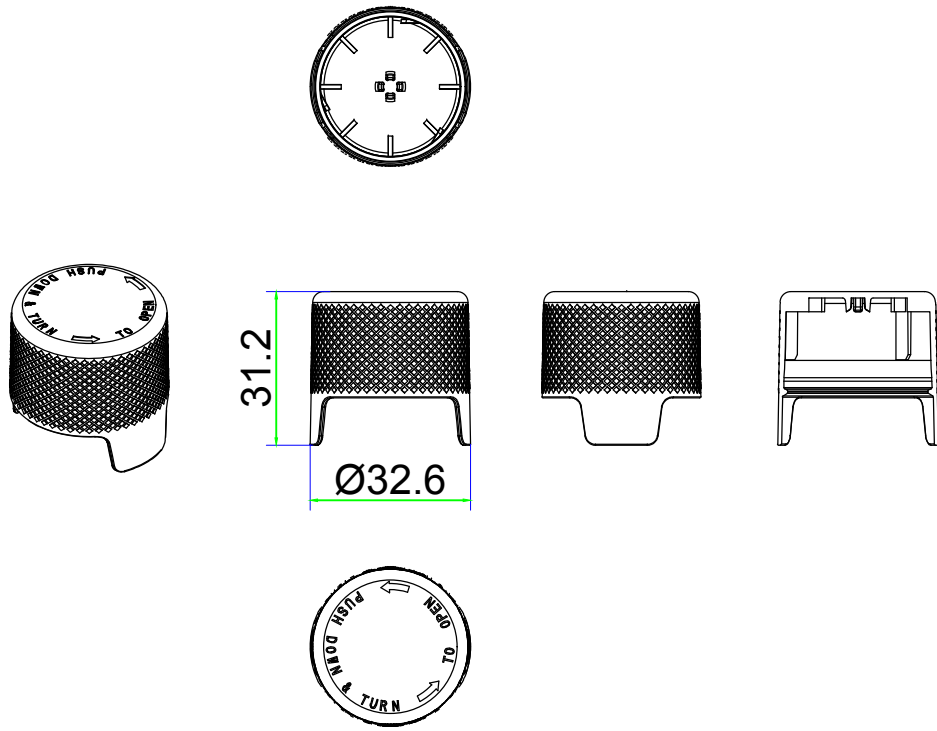


← Material: PP

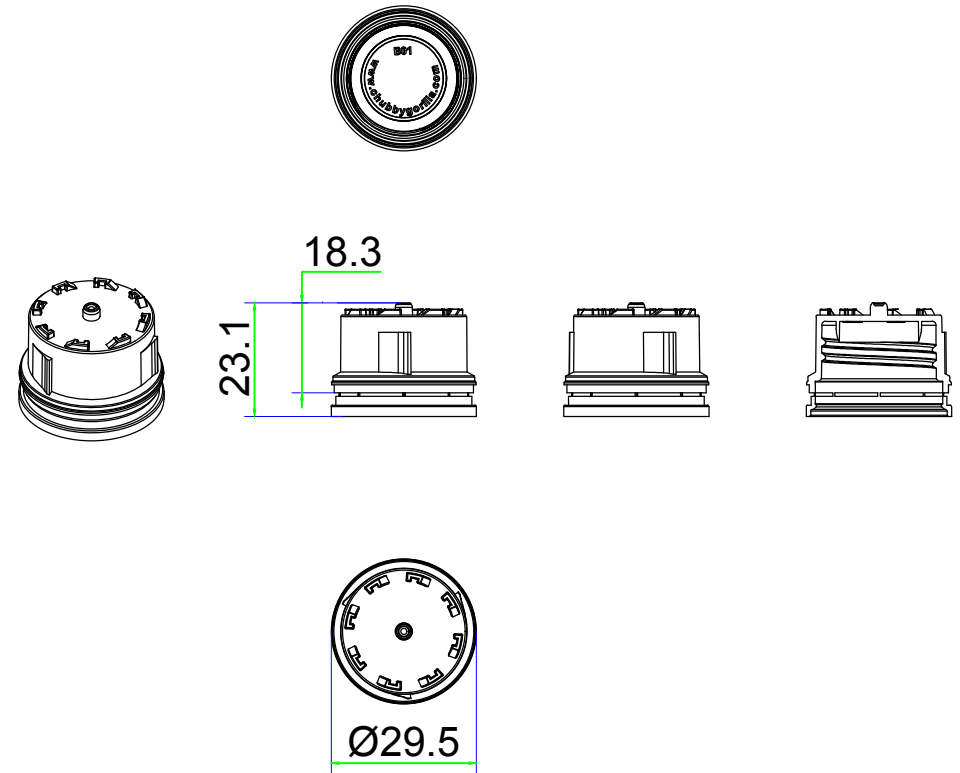
← Material: PE

← Material: PET

Notes:  
1.All dimensions = mm  
2.Dimensions=averages  
3.Finish size=T24



Outer Closure



Inner Closure  
Page 2 of 3

