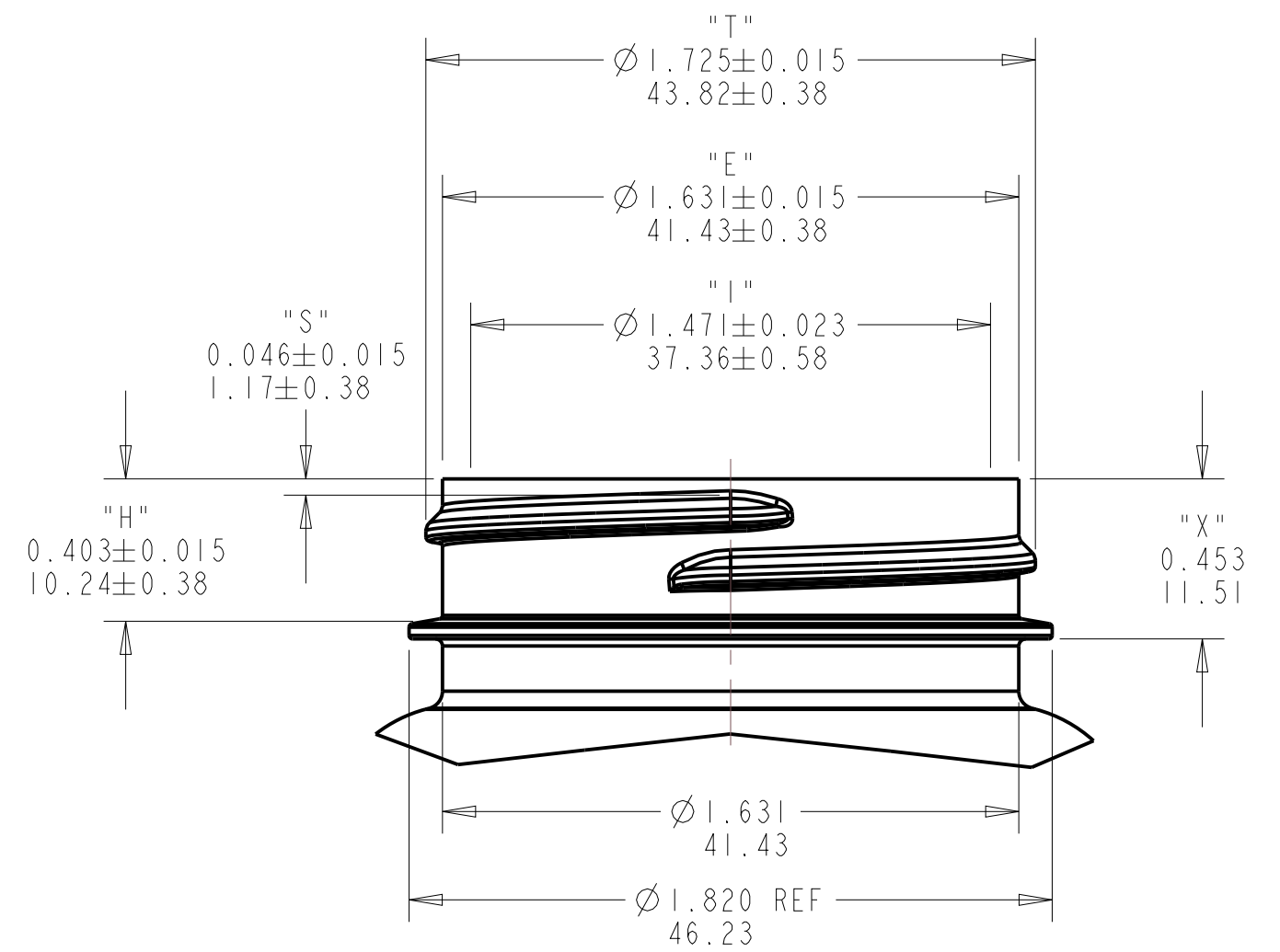
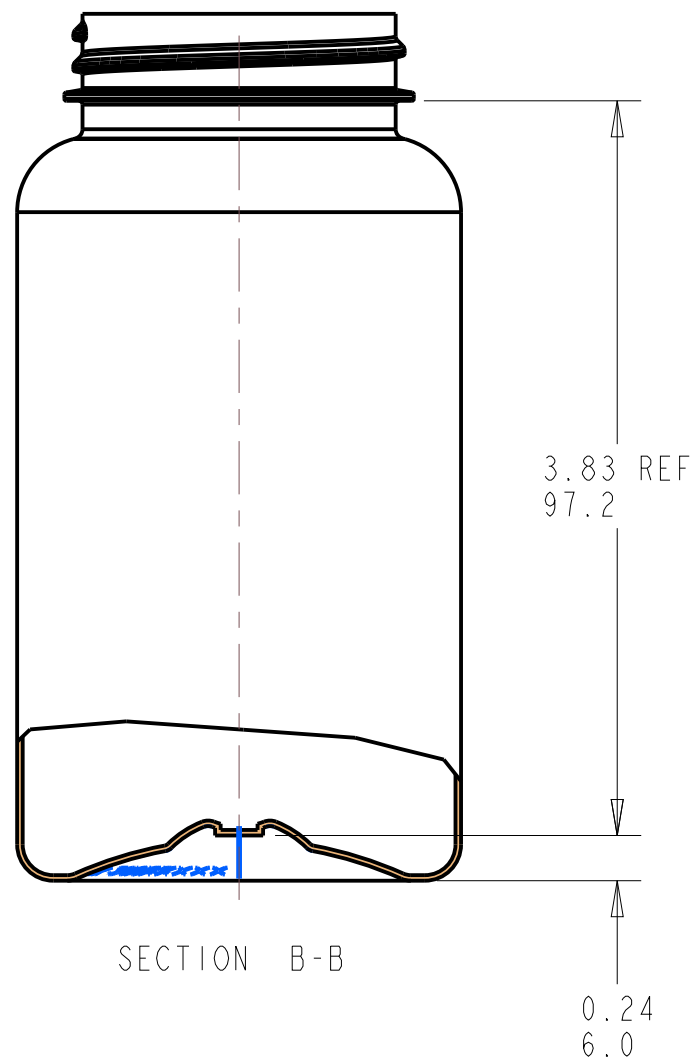
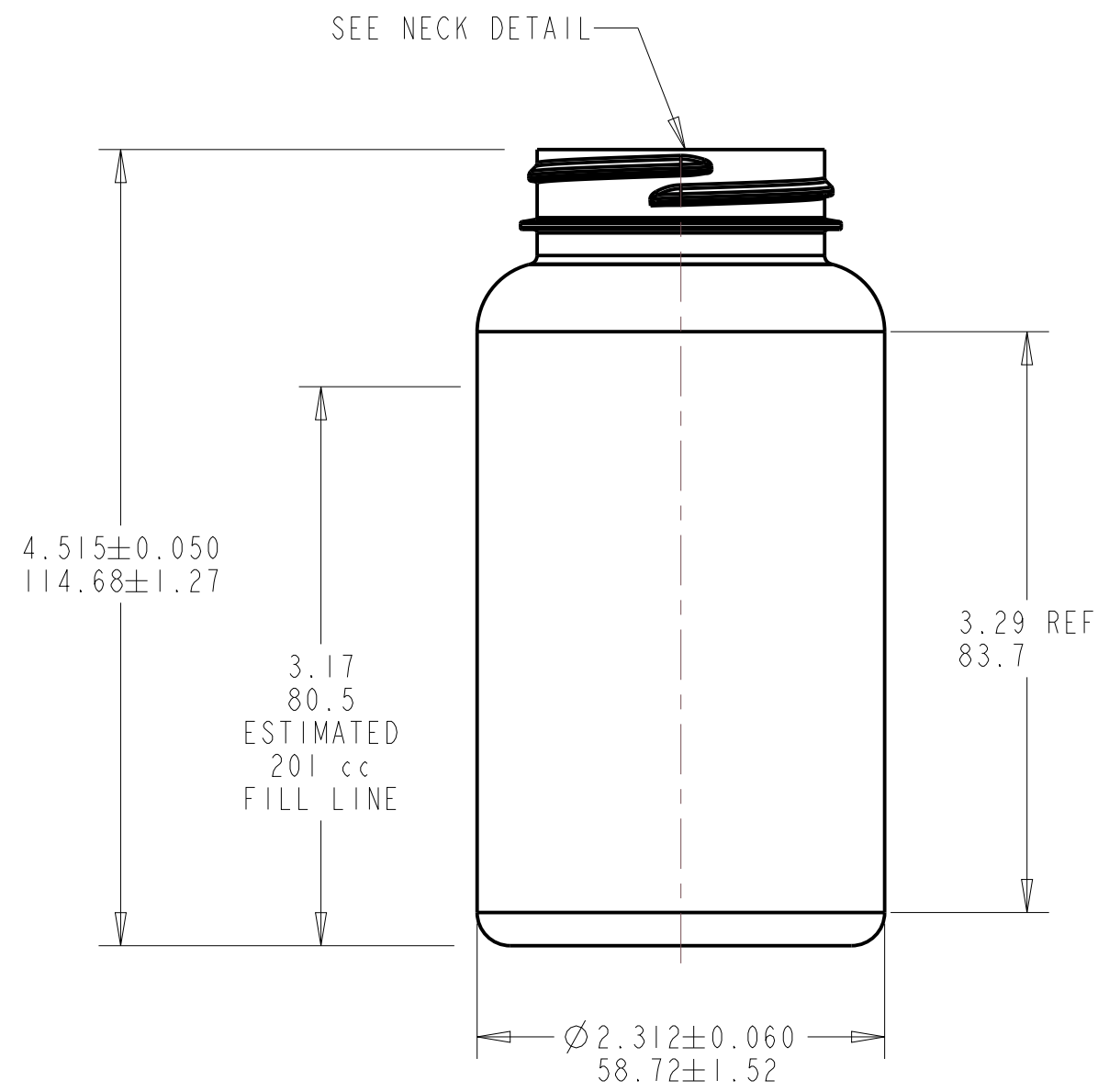


REV	ECR	DESCRIPTION	BY	DATE
A		INITIAL RELEASE	ZAJ	OCT-26-22

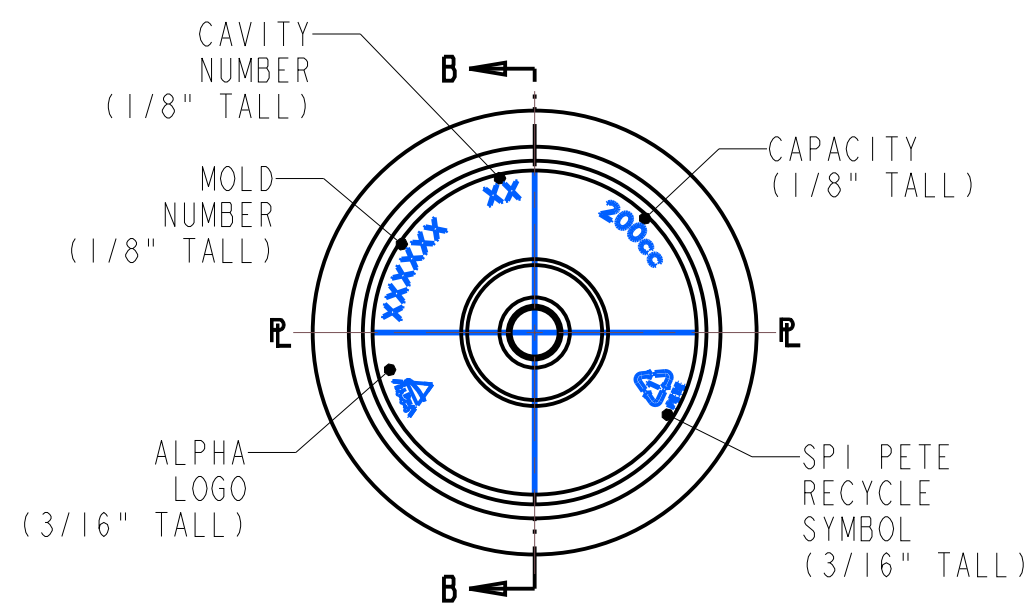


NECK DETAIL

SCALE 2:1

FINISH SPECIFICATIONS:

1. FINISH: M45SP400
2. NO. OF TURNS: 1 FULL TURN
3. THREADS PER INCH: 6



NOTES:

1. CRITICAL DIMENSIONS ARE SHOWN WITH TOLERANCES. CRITICAL DIMENSION TO BE USED FOR QC PURPOSES.
2. ALL OTHER DIMENSIONS TO BE USED FOR REFERENCE ONLY.

THIS ARTICLE CONTAINS CONFIDENTIAL INFORMATION PROPRIETARY TO PRETIUM PACKAGING. THIS ARTICLE MAY NOT BE DISCLOSED, REPRODUCED, TRANSFERRED OR MANUFACTURED WITHOUT PRIOR WRITTEN AUTHORIZATION FROM PRETIUM PACKAGING.		PRETIUM PACKAGING IDEAS INTO YOUR SOLUTIONS	
TITLE: 200cc ECO ROUND PACKER			
TOLERANCES: UNLESS OTHERWISE SPECIFIED	DRAWN BY: ZAJ	NECK: M45SP400	WEIGHT (g): 26.5 ± 2.0
DECIMALS .XX ± .XXX ± .XXXX ±	DATE: OCT-26-22	MIN WALL (in): .008	OVERFLOW (cc): 261 ± 7
FRACTIONS ±	SCALE: 1:1	CUSTOMER: STOCK	3D FILE No: 30A1359
ANGLES ±	SHEET: 1 of 1	MATERIAL: PET	DRAWING No: 30A1359
	Ref No:		REV: A