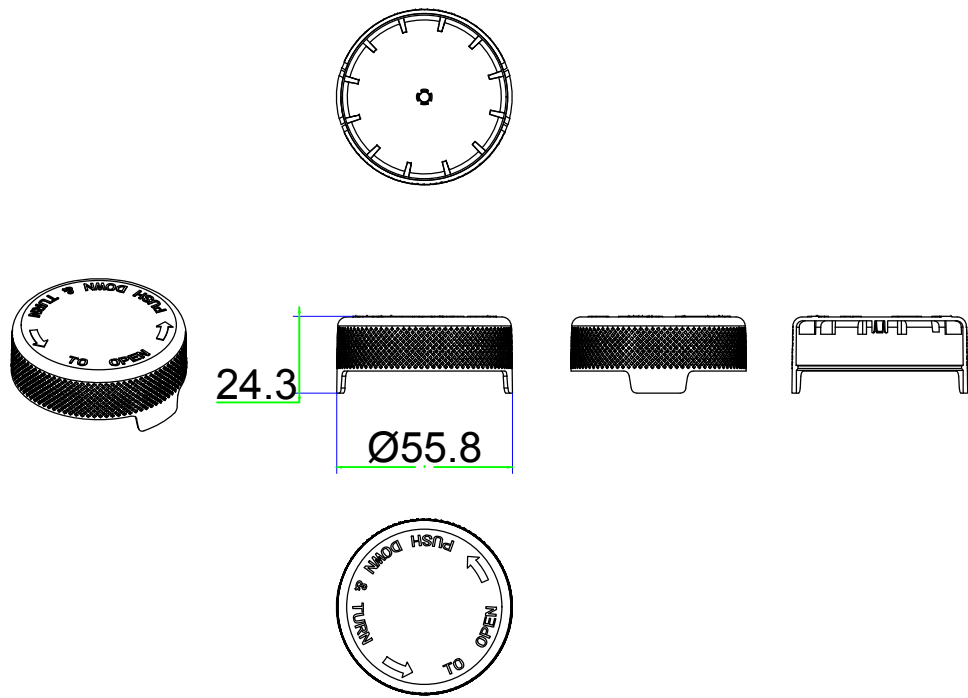


← Material: PP

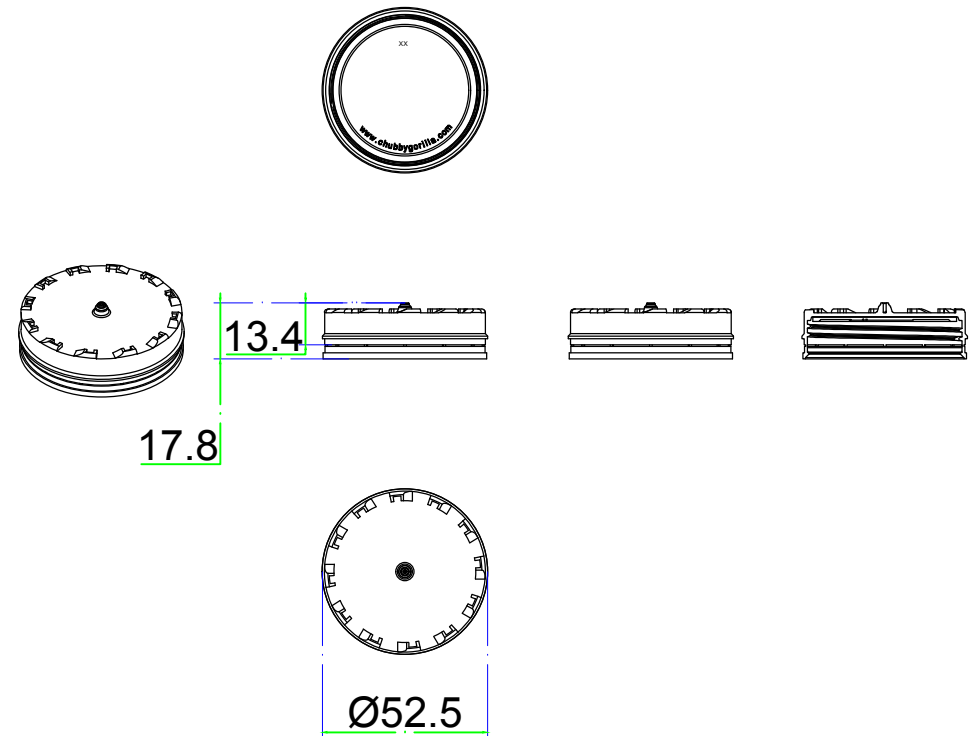
← Material: PE &  
Inner-Seal:TPE

← Material: PET

Notes:  
1.All dimensions = mm  
2.Dimensions=averages  
3.Finish size=T50



Outer Closure



Inner Closure  
Page 2 of 3

CGAC1-4OZ-XXXX  
Drawing CG-AC-120  
Revision date:19-May-2022

