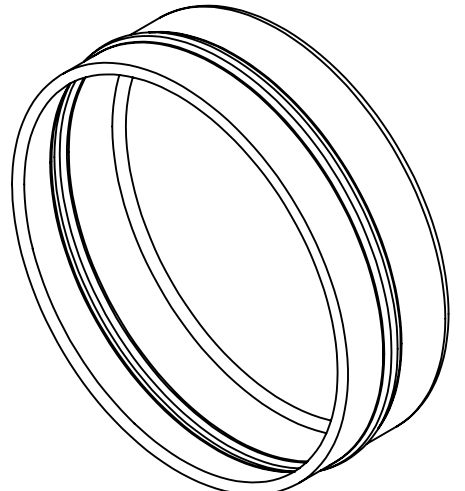


4

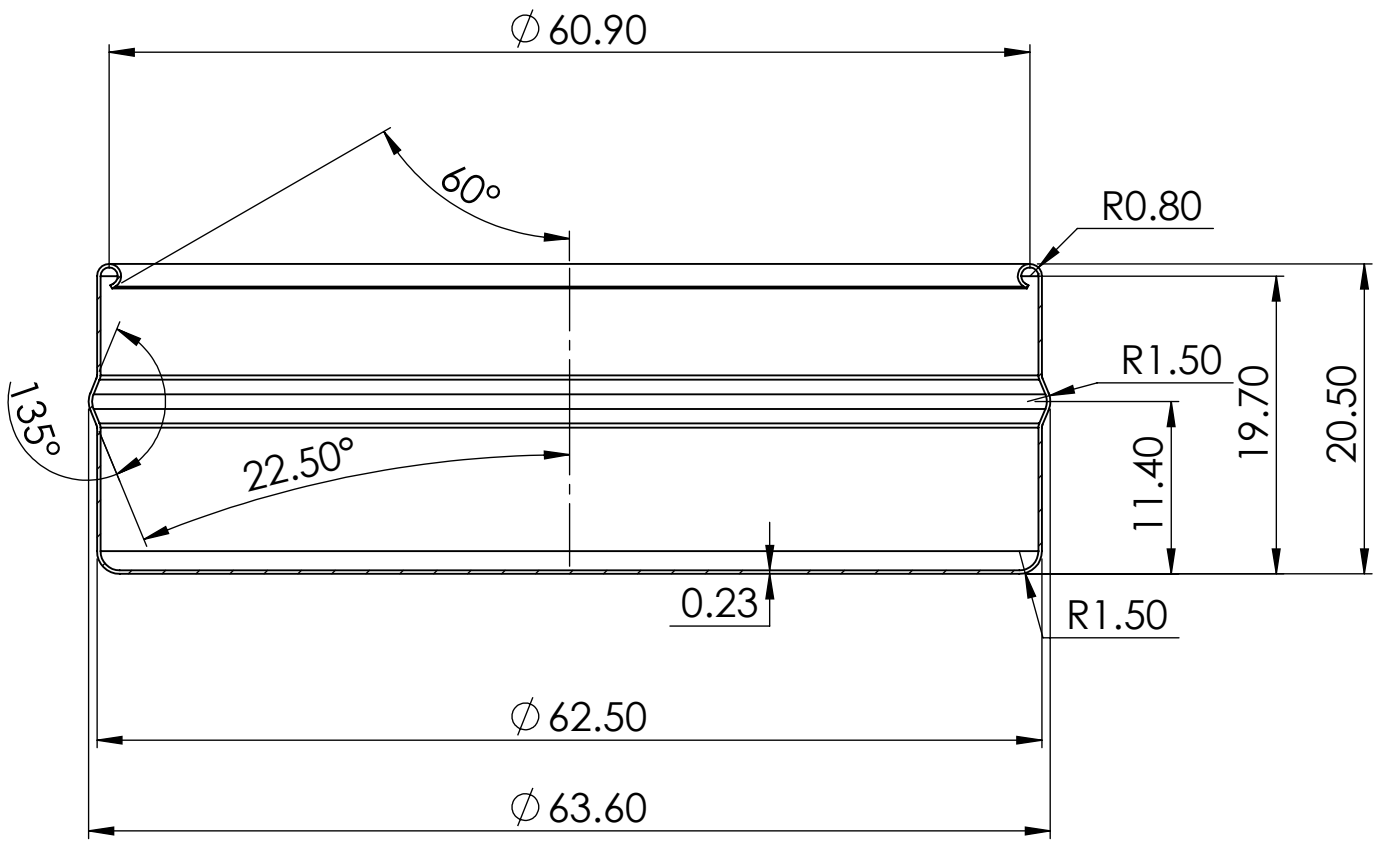
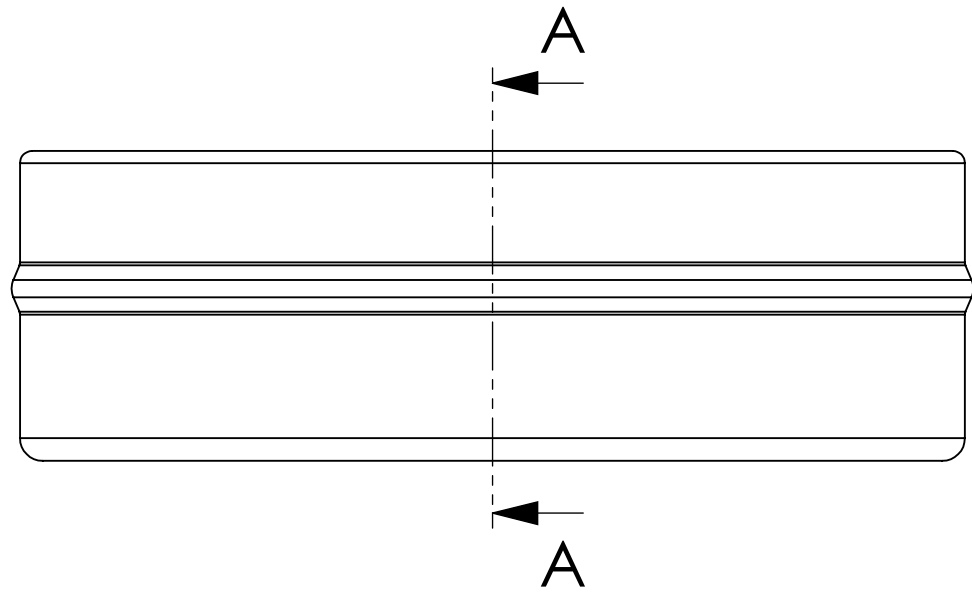
3

2

1



SCALE 1 : 1



SECTION A-A

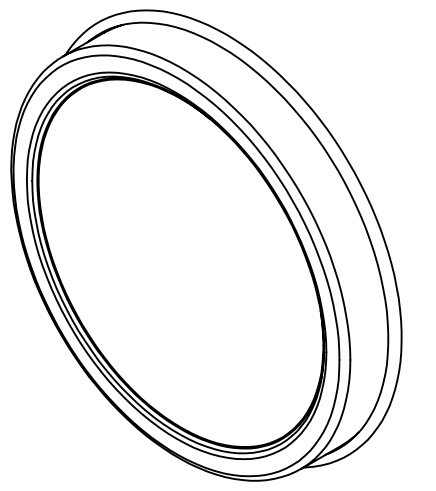
UNLESS OTHERWISE SPECIFIED: DIMENSIONS ARE IN INCHES		NAME	DATE	TITLE : <b>Union Street Tin Co.</b> 64x21mm Top Tins UST#: 6PT62A
X.	$\pm 1/16$ [X.] $\pm [1.0]$	DRAWN	--	
.X	$\pm .020$	CHECKED	--	
.XX	$\pm .010$ [X] $\pm [1.26]$	APPROVED	--	
.XXX	$\pm .005$ [XX] $\pm [1.13]$			
X/X	$\pm 1/32$ X* $\pm 1^*$			
DO NOT SCALE DRAWING		MATERIAL :		SIZE : <b>A</b>
BREAK ALL SHARP EDGES AND REMOVE BURRS				
THIRD ANGLE PROJECTION		FINISH :		REV : ---
				SCALE : 2:1
				WEIGHT :
				SHEET : 1 OF 1

4

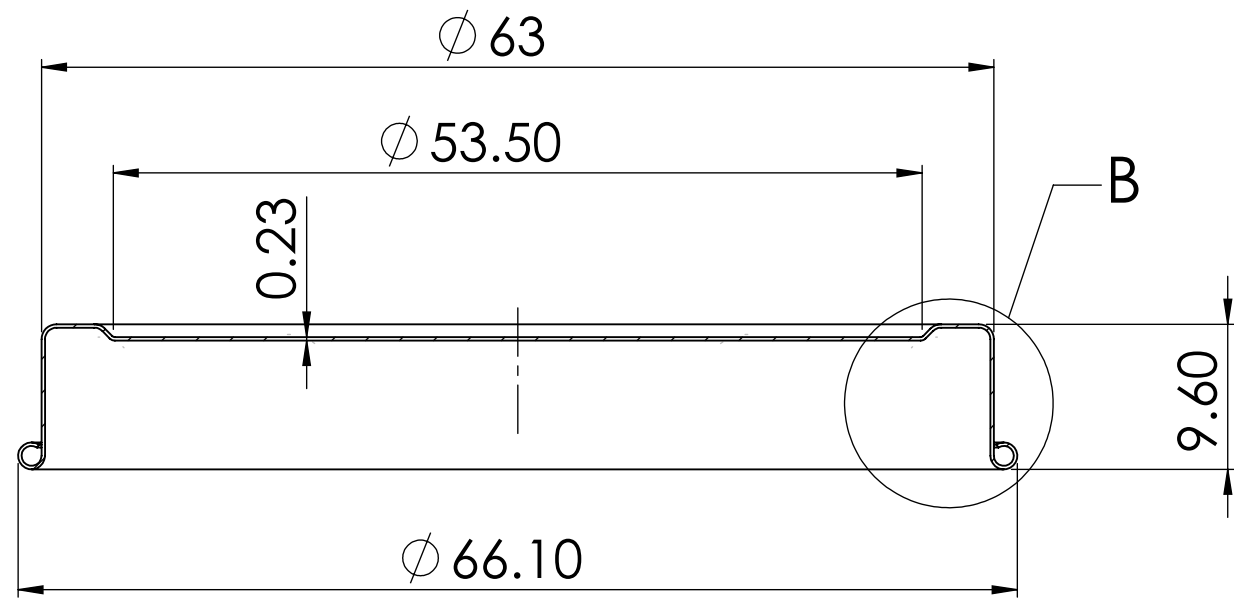
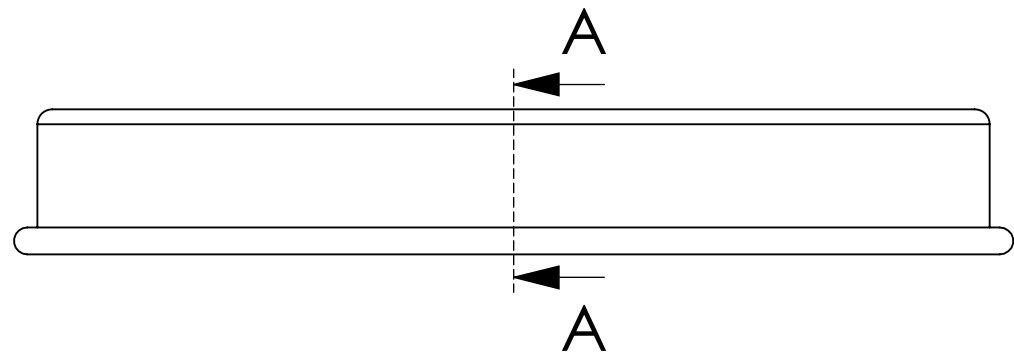
3

2

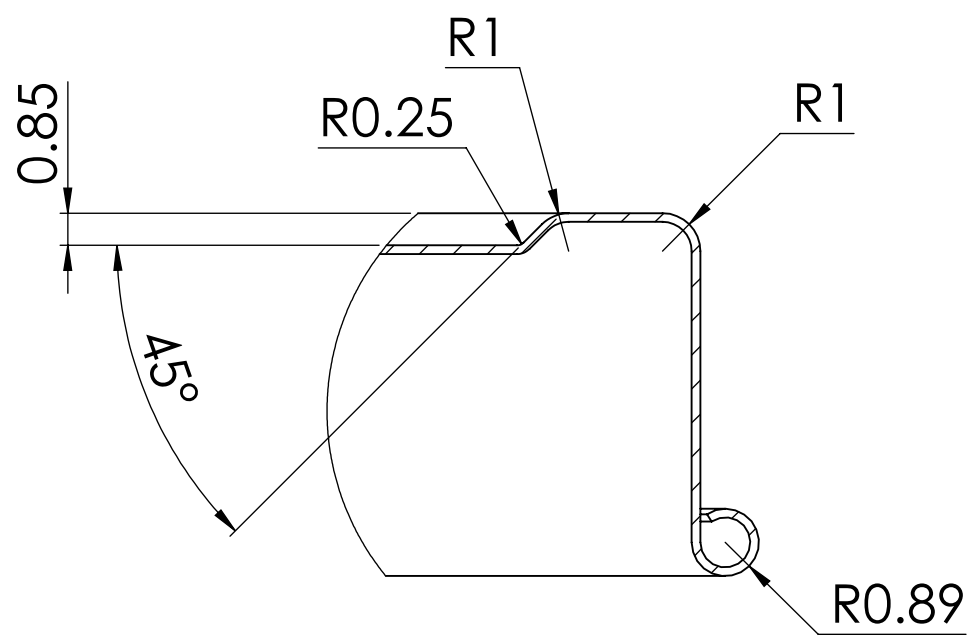
1



SCALE 1 : 1



SECTION A-A



DETAIL B  
SCALE 5 : 1

UNLESS OTHERWISE SPECIFIED: DIMENSIONS ARE IN INCHES		NAME	DATE
X.	± 1/16 [X.] ± [1.0]	DRAWN	--
.X	± .020	CHECKED	--
.XX	± .010 [X.] ± [1.26]	APPROVED	--
.XXX	± .005 [XX] ± [1.13]		
X/X	± 1/32 X* ± 1*		
DO NOT SCALE DRAWING		MATERIAL :	
BREAK ALL SHARP EDGES AND REMOVE BURRS		FINISH :	
THIRD ANGLE PROJECTION			

TITLE : Union Street Tin Co.  
64x21mm Top Tins  
UST#: 6PT62A

SIZE : **A** DWG NO. : --- REV : ---

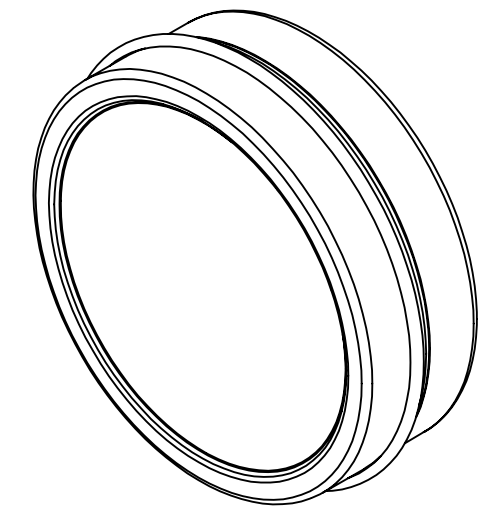
SCALE : 2:1 WEIGHT : SHEET : 1 OF 1

4

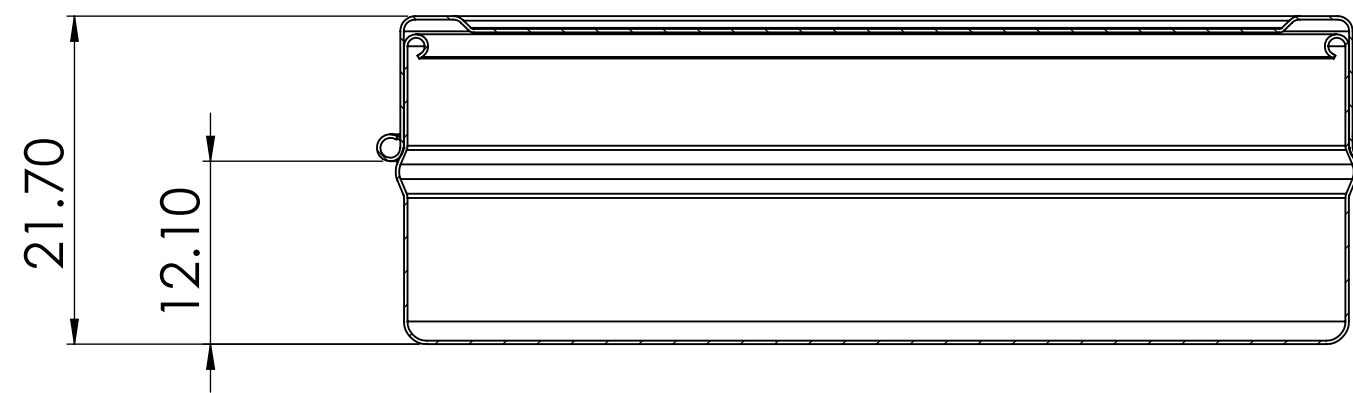
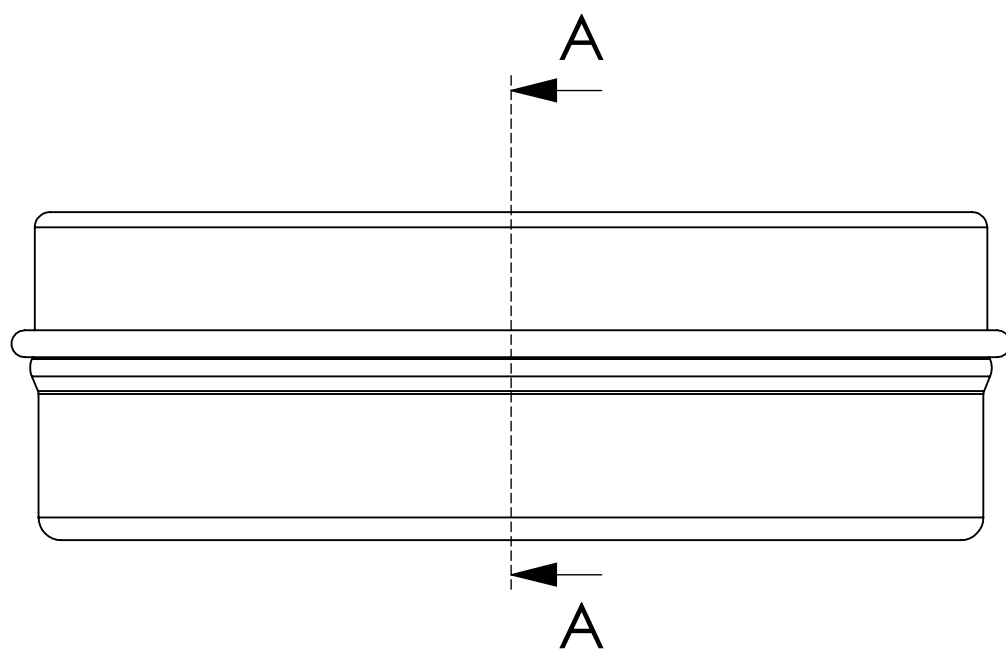
3

2

1



SCALE 1 : 1



SECTION A-A

UNLESS OTHERWISE SPECIFIED: DIMENSIONS ARE IN INCHES		NAME	DATE	TITLE : <b>Union Street Tin Co.</b> 64x21mm Top Tins UST#: 6PT62A
X.	± 1/16 [X.] ± [1.0]	DRAWN	--	
.X	± .020	CHECKED	--	
.XX	± .010 [X] ± [1.26]	APPROVED	--	
.XXX	± .005 [XX] ± [1.13]			
X/X	± 1/32 X* ± 1*			
DO NOT SCALE DRAWING		MATERIAL :		SIZE : <b>A</b>
BREAK ALL SHARP EDGES AND REMOVE BURRS				
THIRD ANGLE PROJECTION		FINISH :		DWG NO. : ---
				REV : ---
		SCALE :	WEIGHT :	SHEET :
		2:1		1 OF 1

4

3

2

1