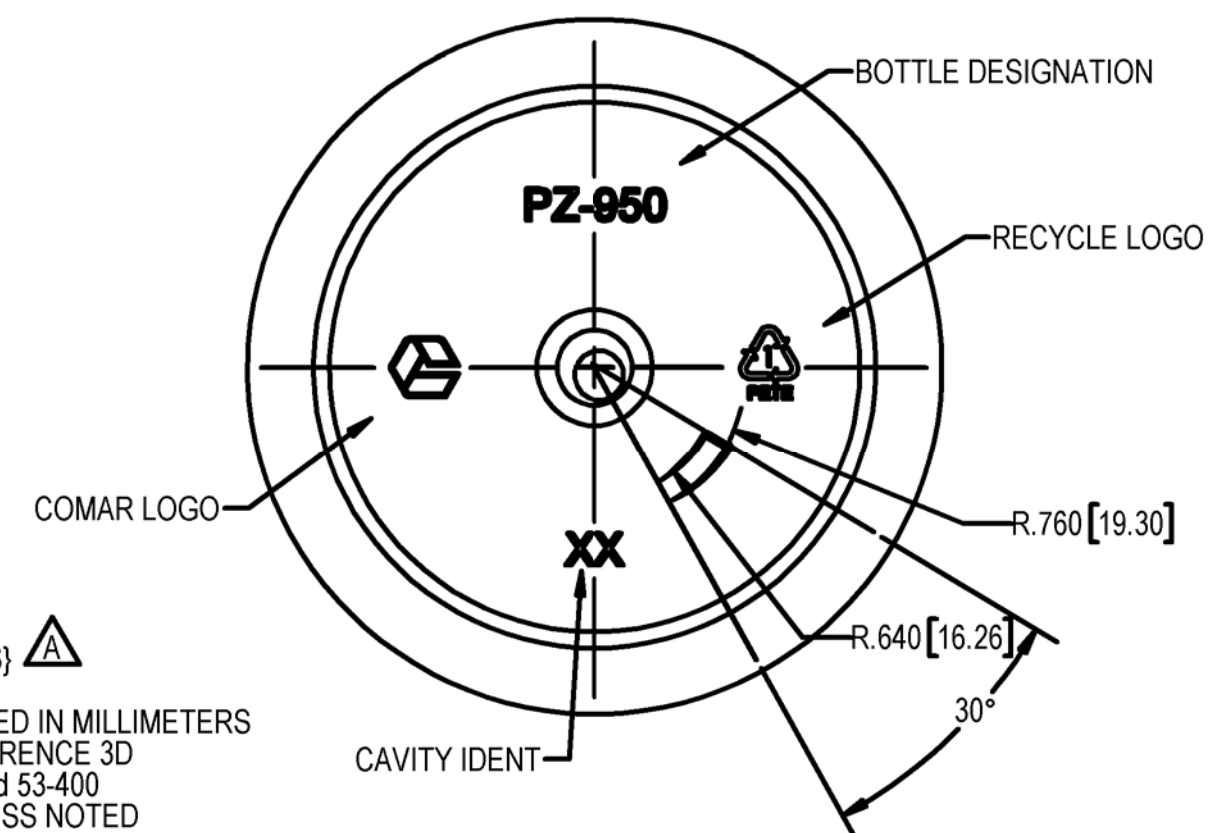


THREAD DETAIL
SCALE: 8x1
M53SP400 FINISH
6 TPI, .167 PTICH
1 FULL TURN MIN



- NOTES:
- 1) GRAM WEIGHT: {58.2 GRAMS ±1.5 GRAMS} \triangle
 - 2) CAPACITY: 1006 mL ± 15 mL TO O'FLOW
 - 3) DIMENSIONS SHOWN IN [] ARE EXPRESSED IN MILLIMETERS
 - 4) ALL SURFACES TO HAVE 'A2' FINISH UNLESS NOTED
 - 5) (BOXED) DIMENSIONS ARE CRITICAL TO PART FUNCTION
 - 6) (BRACKETED) DIMENSIONS ARE MAJOR INSPECTION DIMENSIONS
 - 7) WALL THICKNESS VARIATION IN LABEL PANEL NOT TO EXCEED .012 inches [0.3mm], VERTICALLY OR RADIALLY
 - 8) MAX TAPER = .003 inch [0.08mm] / 1 inch [25.4mm]
 - 9) MAX PERPENDICULARITY = .005 inch [0.13mm] / 1 inch [25.4mm]
 - 10) TOP LOAD > = 400N [90 LBS]
 - 11) MIN WALL THICKNESS IN LABEL AREA = .016 inch [0.41mm]
 - 12) MIN HEEL WALL THICKNESS = .012 inch [0.3mm]

UNLESS OTHERWISE SPECIFIED

DRAWING IS IN INCHES AND [MILLIMETERS]

TOLERANCES

3 PLACE DECIMAL ± .020
2 PLACE DECIMAL ± .04
2 PLACE METRIC ± .50
1 PLACE METRIC ± 1.0
ANGLES ± -
CONCENTRICITY ± - T.I.R.

DO NOT SCALE DRAWING

THIS DRAWING CONTAINS CONFIDENTIAL & PROPRIETARY INFORMATION AND MAY NOT BE REPRODUCED IN WHOLE OR PART WITHOUT WRITTEN AUTHORIZATION FROM COMAR LLC

NAME	DATE
DRAWN BY: KAD	11/02/16
CHECKED: TRS	11/03/16
ENG APPR: RZH	05/15/17
MFG APPR:	
QA APPR:	

A	WEIGHT 58.2g WAS 57.5g	5/15/2017	TR3	KAD
REV.	DESCRIPTION	DATE	APPROVED	DRN BY
	CONVERTED TO PRODUCTION ITEM FROM SK-6370 REV *	04/11/17	TR3	KAD
	CONVERSION DESCRIPTION	DATE	APPROVED	DRN BY
<p>ONE COMAR PLACE, BUENA, NJ 08310 1801 ANTONIO P BARCELO AVE, CAVEY, PR 00736 141 NORTH 5TH ST, SADDLEBROOK, NJ 07863 3217 PALME AVE, SHEBOYGAN, WI 53081 9519 JACKSON TRAIL RD, HOSCHTON, GA 30548 9177 CENTER AVE, RANCHO CUCAMONGA, CA 91730</p>				
TITLE: PZ-950, 950mL ROUND M53SP400 NECK FINISH				
MATERIAL: PET		CUSTOMER: STOCK		SCALE: 1x1
COMMENTS: REF SB 7156			PART NO: 71-0035	
HOLD NO: MB2278	SIZE: C	DWG NO: 71-0035	SHEET: 1 OF 1	REV: A