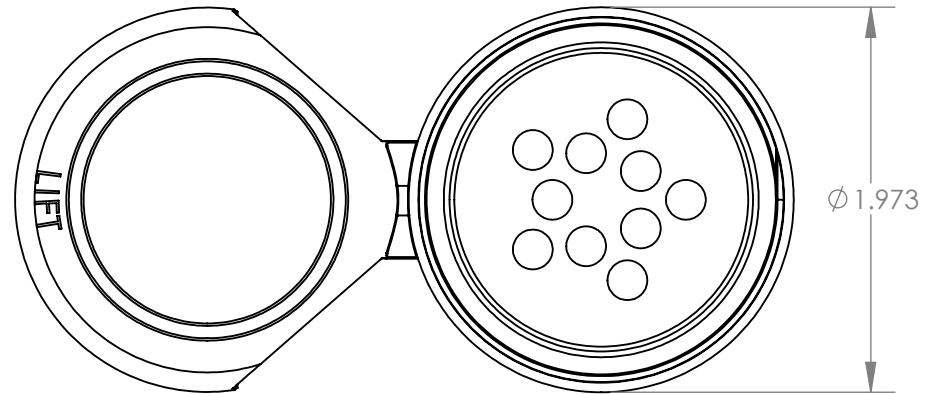
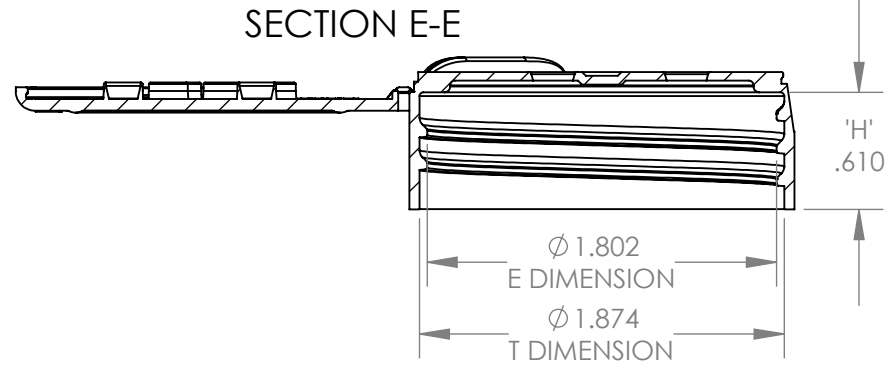


Ø .200  
10 HOLES



Lid Opening Force: 0.50 lbs. Min.  
Part Weight: 8.1 ± 0.4 grams



C.A.P.S. Inc.

13080 Hollenberg  
St. Louis, MO 63044

Phone: 314-739-2002 FAX: 314-739-7889  
www.capsinc.net

**PROPRIETARY AND CONFIDENTIAL**

THE INFORMATION CONTAINED IN THIS DRAWING IS THE SOLE PROPERTY OF C.A.P.S. Inc. ANY REPRODUCTION IN PART OR AS A WHOLE WITHOUT THE WRITTEN PERMISSION OF C.A.P.S. Inc. IS PROHIBITED.

UNLESS OTHERWISE SPECIFIED:

DIMENSIONS ARE IN INCHES  
TOLERANCES: ±.008  
FRACTIONAL ±  
ANGULAR: MACH ± BEND ±  
TWO PLACE DECIMAL ±  
THREE PLACE DECIMAL ±

INTERPRET GEOMETRIC  
TOLERANCING PER:

MATERIAL Polypropylene

FINISH Polished

DO NOT SCALE DRAWING

	NAME	DATE
DRAWN	RL	10-28-04
SALES APPR.	EK	11/4/25
ENG APPR.	PM	11/4/25
MFG APPR.	TM	11/4/25
Q.A. APPR.	TR	11/4/25

**Protected by  
United States  
Patents Nos.  
7,819,267 8,297,457**

**CUSTOMER DRAWING**

TITLE:

**48mm Dispensing Top  
.200" Holes**

SIZE

**A**

REV

**4**

SCALE: 1:1

Rev. Date: 11/4/25

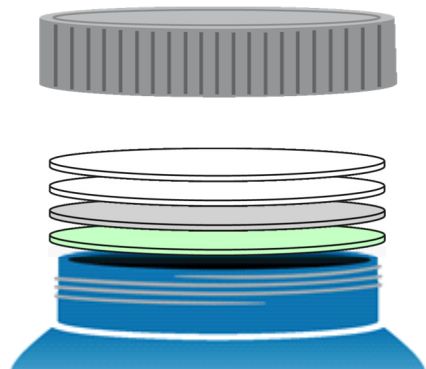
# PRODUCT DATA SHEET

## HS035/10WPB

- HS035/10WPB is a one-piece, paperboard backed, induction heat seal with an Ethylene-Vinyl Acetate (EVA) based sealant layer that gives a tamper evident bond to Polyethylene (PE), Polypropylene (PP), Polyester (PET), Polystyrene (PS), Vinyl (PVC) and glass containers.
- Available with standard or custom print.

### Typical Product Attributes

#### Construction

		SI (µm)	US (Mils)
White Paperboard		241,3	9.5
White Paper		71,1	2.8
Aluminum Foil		8,9	0.35
Heat Seal		38,1 - 76,2	1.5 - 3.0
Thickness Tolerance		± 10%	± 10%
Minimum Width		25,4 mm	1.0 in
Width Tolerance		± 1,6 mm	± 0.0625 in

#### Properties

Oxygen Transmission (O <sub>2</sub> TR)	Essentially Zero
Water Vapor Transmission (WVTR)	Essentially Zero

#### Regulatory Compliance

FDA Compliance	21 CFR 177.1350 Ethylene-vinyl acetate copolymers. 21 CFR 177.1210 Closures with sealing gaskets for food containers. 21 CFR 176.180 Components of paper and paperboard in contact with dry foods. 21 CFR 176.170 Components of paper and paperboard in contact with aqueous and fatty foods.
Drug Master File (DMF)	002518
Other Compliances	USFDA Food Allergen Guidelines   California Proposition 65 Labeling Requirements   Limitations of Heavy Metals in Packaging per CONEG & EU 94/62/EC, Article 11
Safety Data Sheet (SDS) Statement	Safety Data Sheets (SDS) are not required for articles as defined in 29 CFR 1910.1200, the OSHA Hazard Communication Standard (HazCom). This product is an article as defined by HazCom and is not considered to be, or to contain, a hazardous chemical based on evaluations made by our company.

Please note that construction does not reflect adhesive or resin bonding layers, if present.

Revision Number: 0  
Revised Date: 2019-04-26

**DISCLAIMER:** This information is believed to be accurate at the time of printing and is subject to change without notice. Providing this information does not convey any licenses under any patent rights or intellectual property rights of Tri-Seal or others. TRI-SEAL MAKES NO WARRANTY, EXPRESS OR IMPLIED, WITH RESPECT TO THIS INFORMATION AND DISCLAIMS ALL LIABILITY FROM RELIANCE ON IT. Tri-Seal's only warranties for this product are those written warranties as may be agreed to by Tri-Seal and its customers. TRI-SEAL SPECIFICALLY DISCLAIMS ALL OTHER WARRANTIES, EXPRESS OR IMPLIED, WITH RESPECT TO THE PRODUCT, INCLUDING, BUT NOT LIMITED TO, WARRANTIES OF MERCHANTABILITY AND FITNESS FOR PARTICULAR PURPOSE.